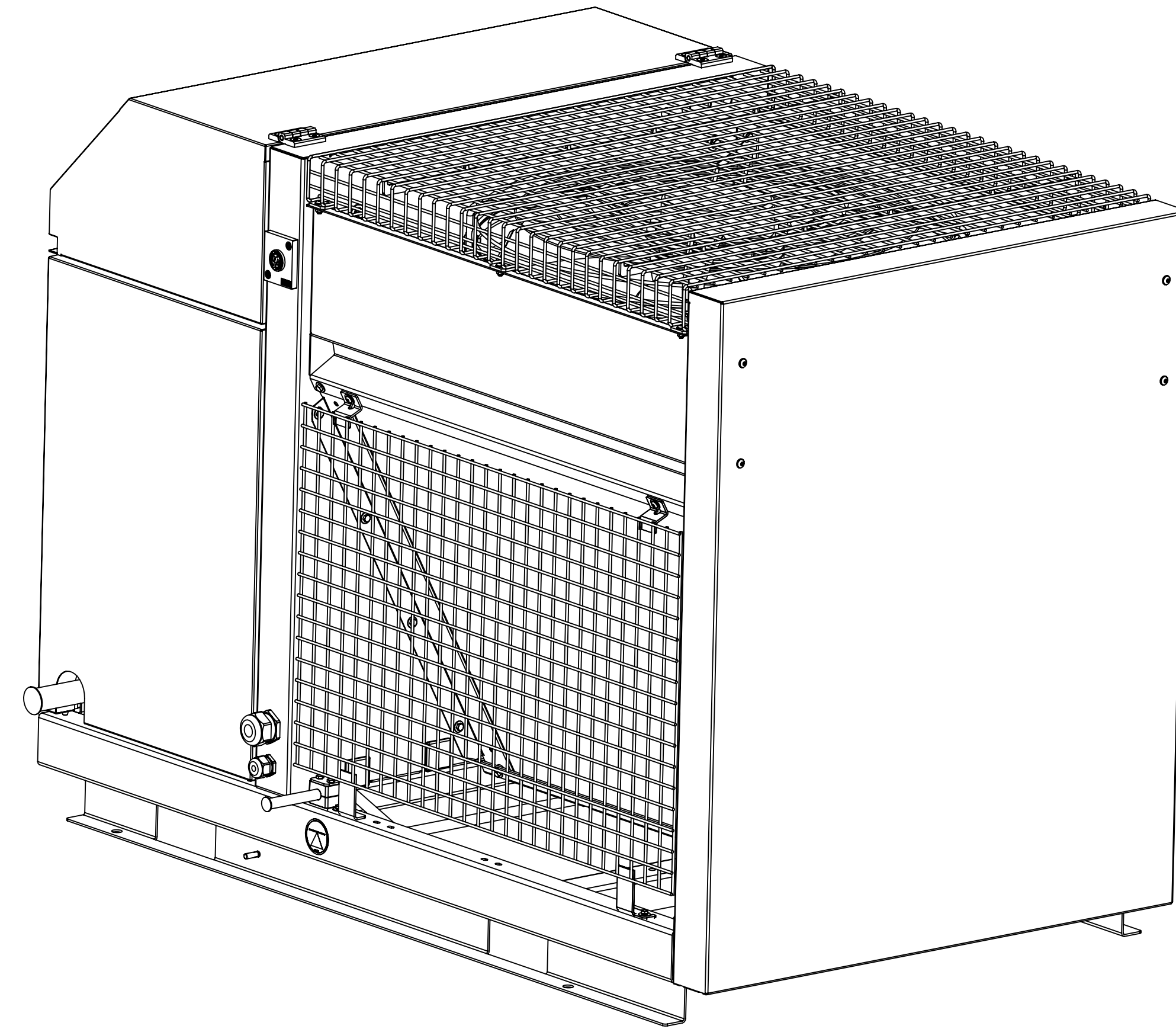
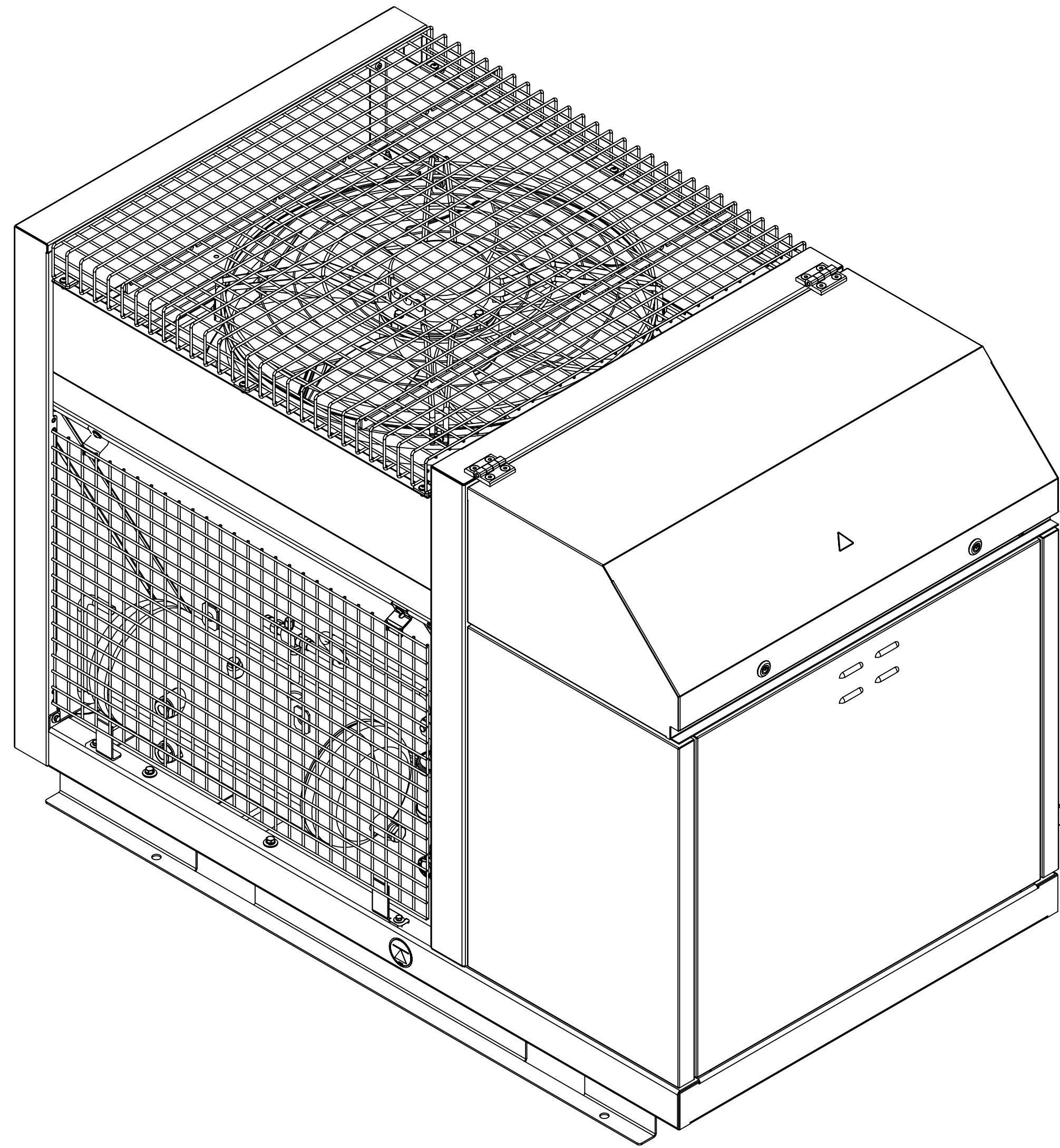


ITEM	TYPE UNITS
1	OMTE-76D-TFD-501
2	OMTE-90D-TFD-501

SPECIFICATIONS	
ES NO.	DESCRIPTION
ES92-155	CONVERSION-METRIC



INTERPRET PER ASME  
Y14.5M-1994 AND  
EMERSON DESIGN  
STANDARDS DS2002



DO NOT SCALE DRAWING

CRITICAL PRODUCT CHARACTERISTICS

UNLESS OTHERWISE SPECIFIED  
DIMENSIONS ARE MILLIMETER OR ( INCH )

TOLERANCES:  
1-PLACE ± 0.4  
2-PLACE ± 0.15  
ANGULAR ± 0.5°

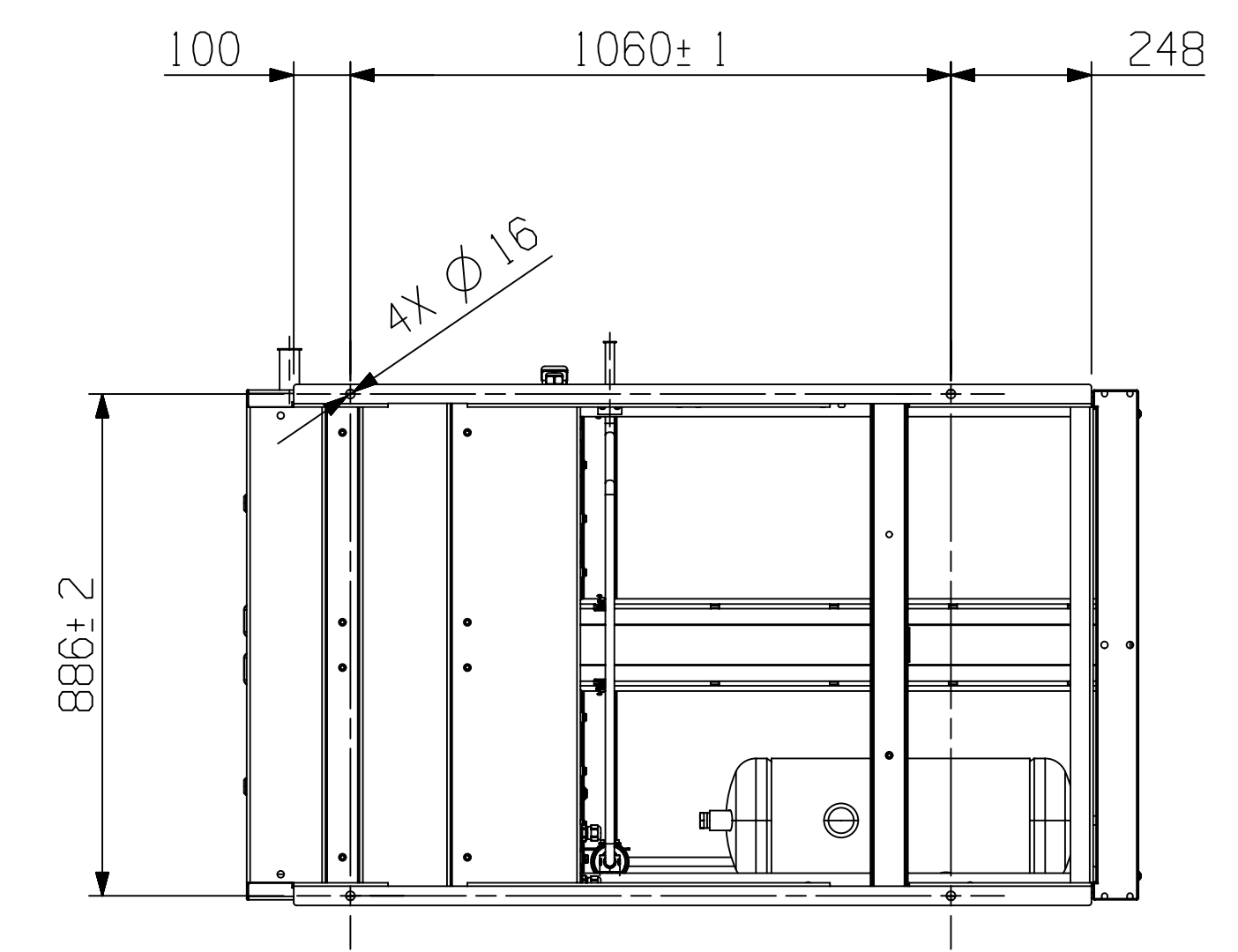
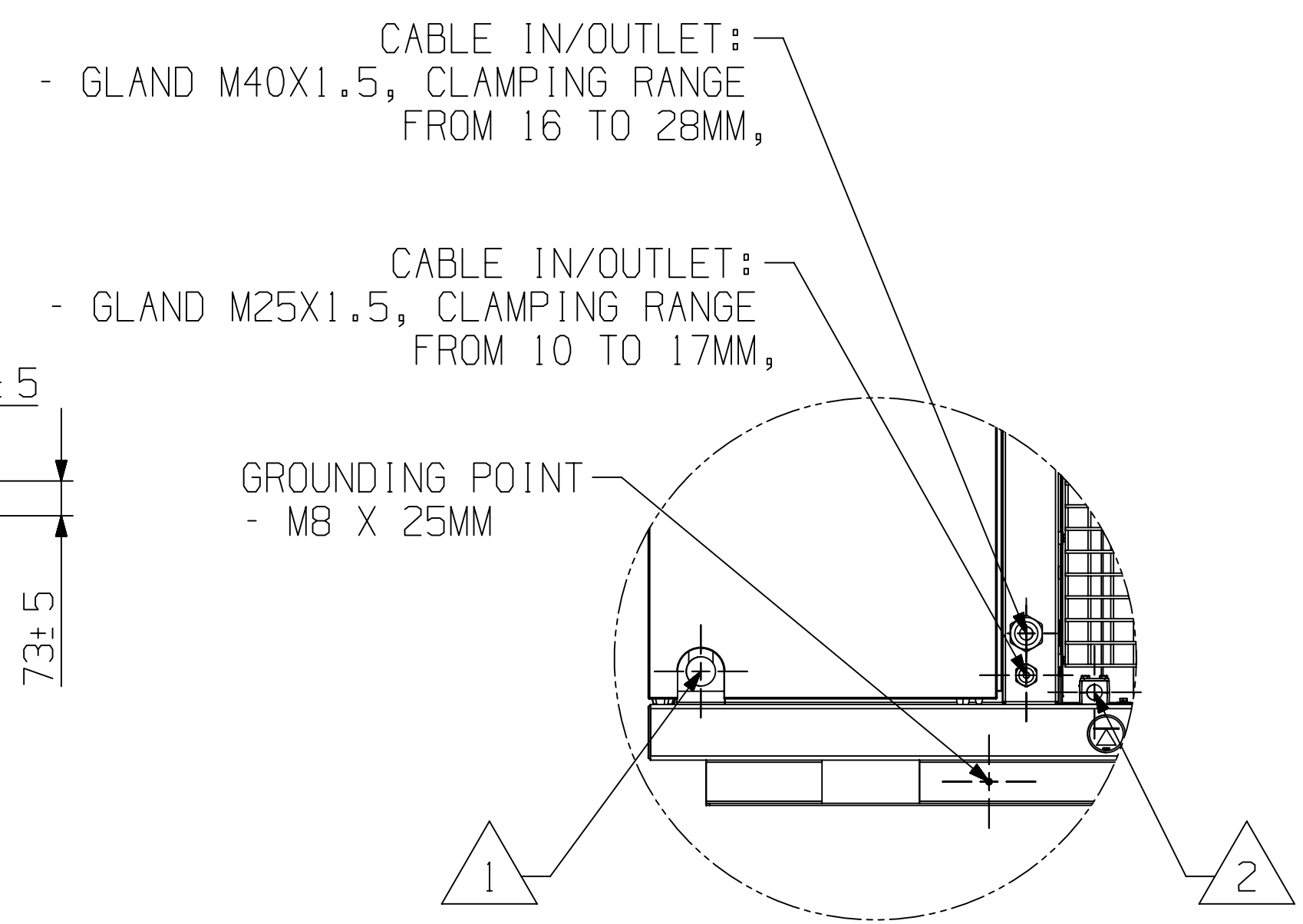
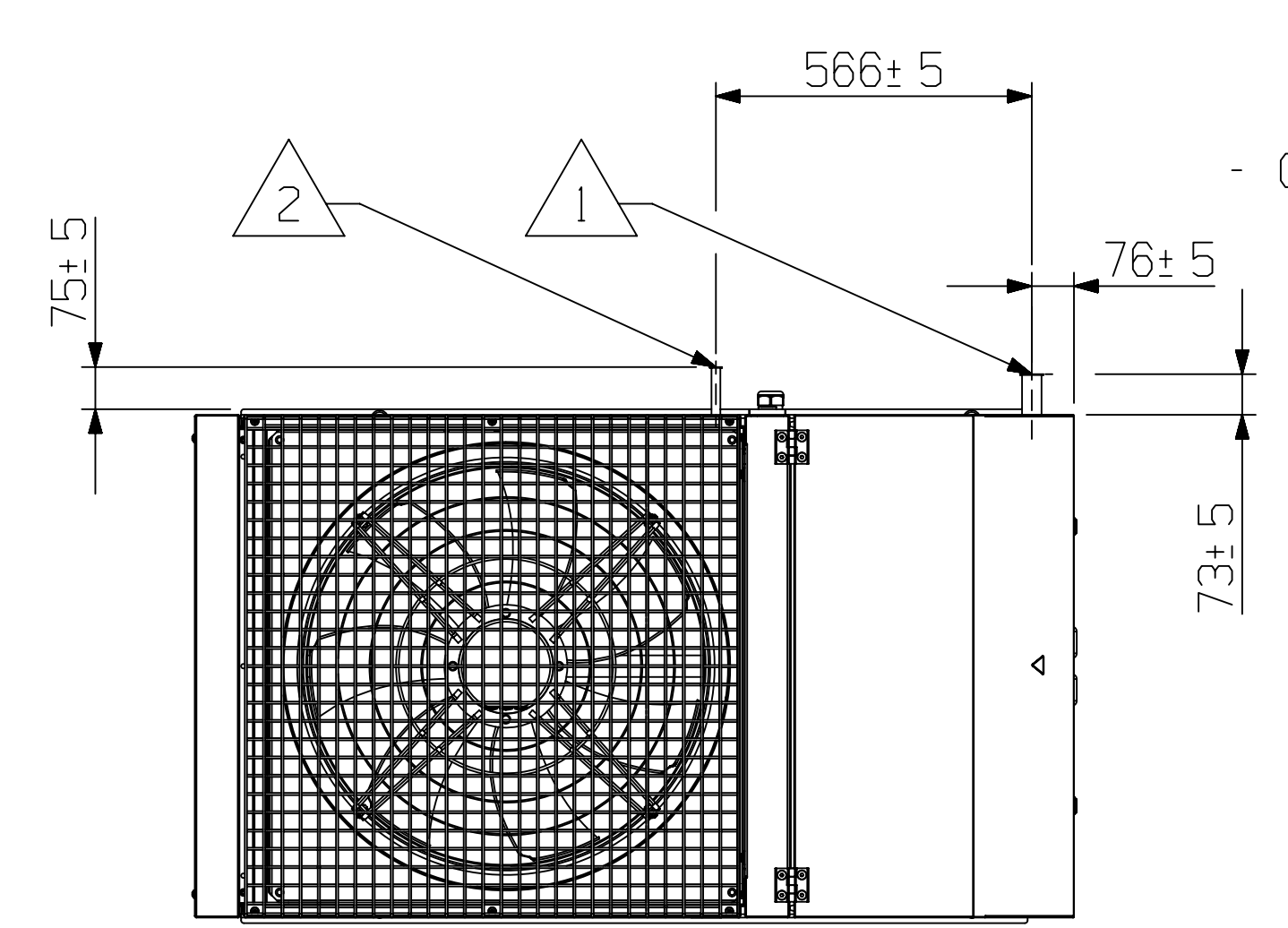
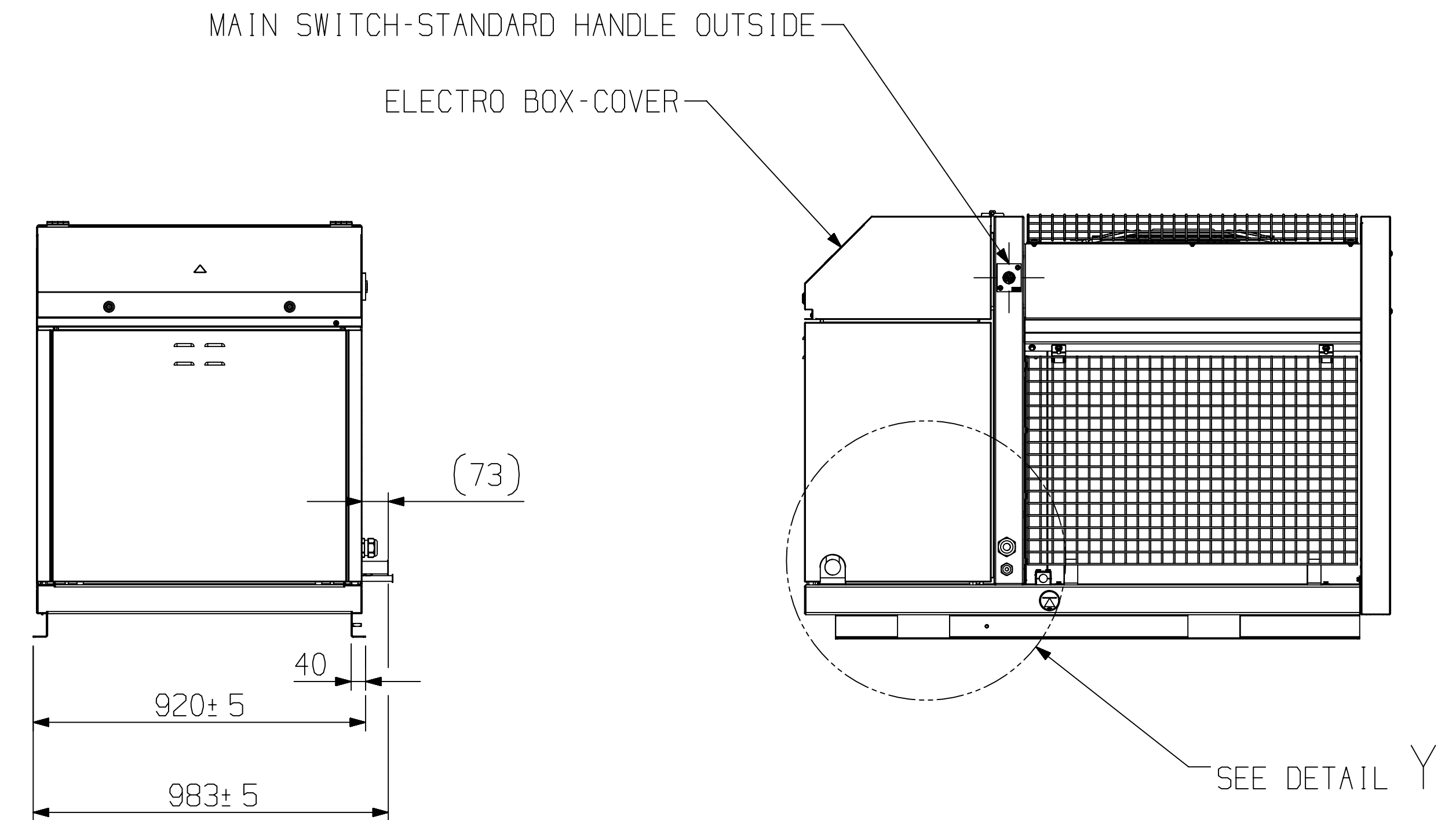
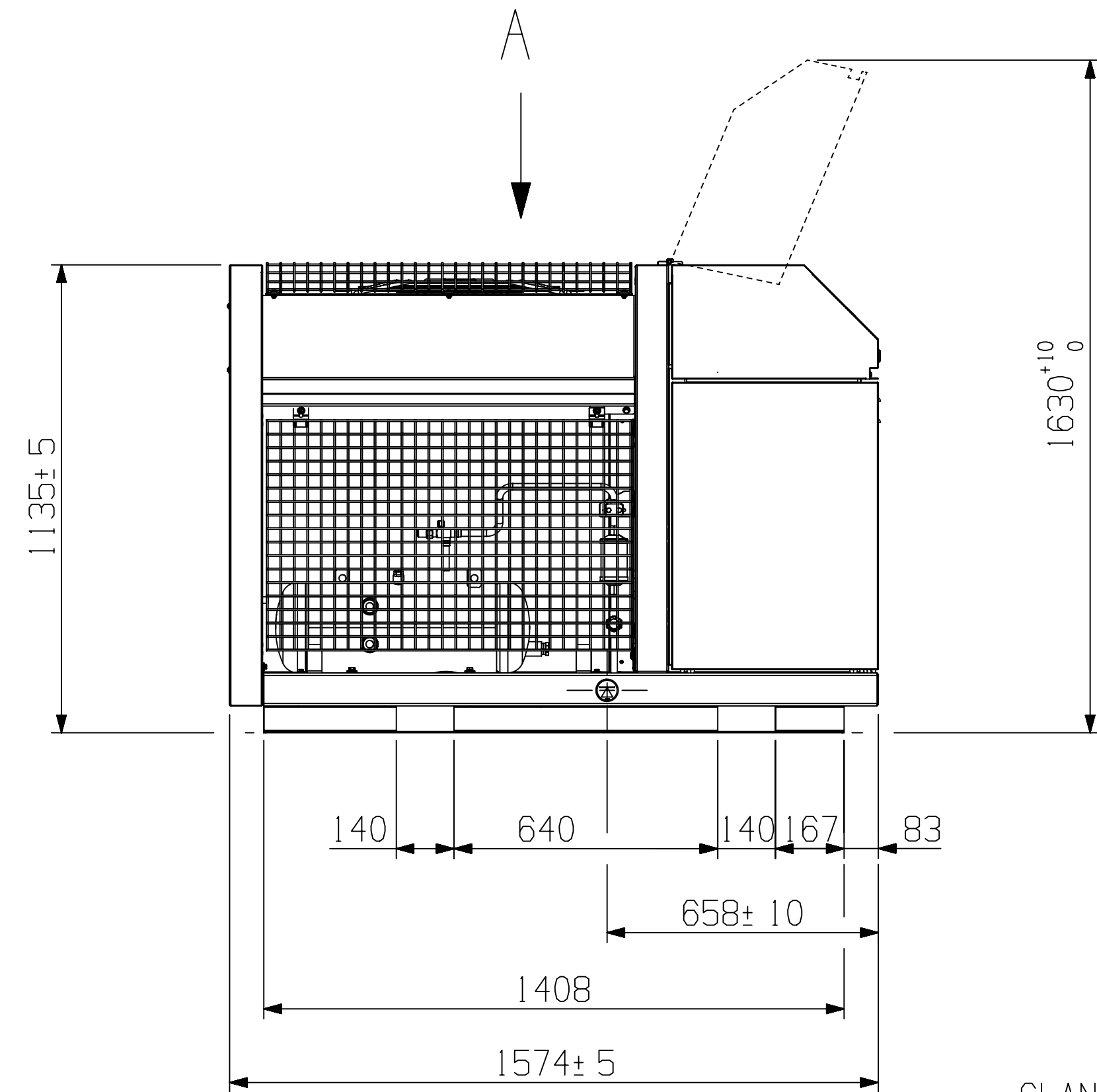
ECN305171	0	RELEASED	03-11-19	MNT	JH
ENG NOTICE NO.	REV.NO.	REVISIONS	DATE	BY	CHKD
26		CONFIDENTIALITY NOTICE			
THIS DRAWING AND INFORMATION CONTAINED HEREIN ARE THE EXCLUSIVE PROPERTY OF EMERSON CLIMATE TECHNOLOGIES, INC AND/OR ITS AFFILIATES (COLLECTIVELY "EMERSON") AND SHALL BE RETURNED UPON DEMAND AND SHALL NOT BE REPRODUCED IN WHOLE OR IN PART, DISCLOSED TO ANYONE ELSE OR USED, WITHOUT THE WRITTEN CONSENT OF EMERSON.					
MATERIAL SPECIFICATION	DRAWN BY	SUPERSEDES DWG NO /	REV NO		
N/A	MNT	- / -	-		
	DATE	SCALE	DATE FORMAT:		
	03-11-19	1:10	MM-DD-YY		
TITLE	DRAWING NUMBER	SHEET 1 OF 2 DWG			
REF DWG-INSTALATION	497-3251-00	4			
		SIZE			

ITEM	TYPE UNITS	WEIGHT UNIT	SUCTION LINE CONNECTION 	LIQUIDED LINE CONNECTION 
		KG	OD BRAZING	OD BRAZING
1	OMTE-76D-TFD-501	400	1 3/8" (34.90 MM)	5/8" (15.88MM)
2	OMTE-90D-TFD-501	400	1 3/8" (34.90 MM)	5/8" (15.88MM)

NOTES:

1. EXTERNAL DIMENSION WITH PACKAGING 1660X1257X1075 MM (WIDTH X HEIGHT X DEPTH IN MILLIMETERS);

2. STEP AND DXF FILE ARE AVAILABLE ON REQUEST;



VIEW A

DETAIL Y  
SCALE 3:25