

---

## Miscellaneous

Suction Accumulators	114
Ball Valves Series BVA	115
Rotalock Valves for Low- and High Pressure Side	116
Acid Alert Kit AOK	120

# Suction Accumulators Series A

## Features

- Hermetic design
- Comply with UL standard and HP German pressurised vessel regulations (CE standard effective Nov. 1999)
- Copper ODF connections
- Corrosion resistant epoxy powder painting
- Available with different shell diameters / length sizes
- Available with different connection styles



Type	Order Number	Connection	Nominal Capacity $Q_n$ (kW)						Maximum Working Pressure		Volume Lit.	
			R 22		R 134a		R 404A/R 507		UL	HP		
A08-304	001 973	1/2"	7,0	1,1	4,2	0,6	4,6	0,7	25 bar / 362 psig	25 bar / 362 psig	0,73	
A10-305	001 977	5/8"	10,5	1,6	6,0	0,9	7,0	1,1			0,93	
A12-305	001 978	5/8"	10,5	1,6	6,0	0,9	7,0	1,1			1,16	
A12-306	001 979	3/4"	14,0	2,1	8,1	1,2	9,1	1,4			1,16	
A14-305	001 980	5/8"	10,5	1,6	6,0	0,9	7,0	1,1			1,4	
A14-306	001 987	3/4"	14,0	2,1	8,1	1,2	9,1	1,4			1,4	
A06-404	001 988	1/2"	7,0	1,1	4,2	0,6	4,6	0,7			0,93	
A06-405	001 989	5/8"	10,5	1,6	6,0	0,9	7,0	1,1			0,93	
A10-405	001 990	5/8"	10,5	1,6	6,0	0,9	7,0	1,1			1,75	
A10-406	001 994	3/4"	14,0	2,1	8,1	1,2	9,1	1,4			1,75	
A09-506	001 995	3/4"	14,0	2,1	8,1	1,2	9,1	1,4			2,33	
A09-507	002 455	7/8"	25,6	3,8	14,0	2,1	16,1	2,4			2,33	
A12-506	001 996	3/4"	14,0	2,1	8,1	1,2	9,1	1,4			3,29	
A12-507	001 998	7/8"	25,6	3,8	14,0	2,1	16,1	2,4			3,29	
A13-507	002 007	7/8"	25,6	3,8	14,0	2,1	16,1	2,4			3,8	
A13-509	002 011	1-1/8"	41,4	6,2	25,3	3,8	26,7	4,0			3,8	
A17-509	002 012	1-1/8"	41,4	6,2	25,3	3,8	26,7	4,0			4,87	
A17-511	002 013	1-3/8"	66,0	9,9	37,6	5,6	42,8	6,4			4,87	
A11-607	002 014	7/8"	25,6	3,8	14,0	2,1	16,1	2,4			4,3	
A13-607	002 015	7/8"	25,6	3,8	14,0	2,1	16,1	2,4			4,98	
A13-609	002 019	1-1/8"	41,4	6,2	25,3	3,8	26,7	4,0			4,98	
A14-611	002 020	1-3/8"	66,0	9,9	37,6	5,6	42,8	6,4			5,48	
A17-613	002 022	1-5/8"	100,0	15,0	59,7	9,0	63,9	9,6			6,85	
A20-613	002 021	1-5/8"	100,0	15,0	59,7	9,0	63,9	9,6			24 bar/ 348 psig	8,21
A25-613	002 023	1-5/8"	100,0	15,0	59,7	9,0	63,9	9,6			19,5 bar/ 282 psig	10,23

Correction factor for other evaporating temperatures than nominal:

$$Q_n = Q_o \times K_t$$

$Q_n$ : Nominal capacity

$K_t$ : Correction factor for a pressure drop corresponding 1 K saturation temperature



$Q_o$ : Required cooling capacity

Correction Factor $K_t$											
Evaporating Temperature (°C)											
	+4	0	-5	-10	-15	-20	-25	-30	-35	-40	
$K_t$	1,00	1,12	1,35	1,75	2,00	2,50	3,00	3,75	5,00	6,60	$K_t$

## Ball Valves Series BVA

Fully hermetic isolation valves for the Refrigeration and A/C Industry.

### Features

- Hermetic design: Fully welded forged brass body
- Low leak rates below industry standard (certificate on request)
- Compatible with new refrigerants/lubricants
- Full internal ports reduce line pressure drops to a minimum.
- Bi-directional flow characteristics
- Valve stem cap retained by strap attached to main body
- Pressure relief port in cap
- Manufactured to  and  approvals



### Options

- Access port connection on body (Minimum order quantity: 100 pieces)

Type		Order- No.	Connection Nominal size	Kv m <sup>3</sup> / hr
Imperial	Metric			
BVA 014	BVA M06	805 776	1/4" ODF	1,3
		805 788	6 mm ODF	
BVA 038	BVA M10	805 777	3/8" ODF	3,2
		805 789	10 mm ODF	
BVA 012	BVA M12	805 778	1/2" ODF	7,2
		805 790	12 mm ODF	
BVA 058	BVA M16	805 779	5/8" ODF / 16 mm ODF	11,7
BVA 034		805 780	3/4" ODF	18,2
BVA 078	BVA M22	805 781	7/8" ODF / 22 mm ODF	29,6
BVA 118	BVA M28	805 782	1-1/8" ODF	41,0
		805 793	28 mm ODF	
BVA 138	BVA M35	805 783	1-3/8" ODF / 35 mm ODF	68,7
BVA 158	BVA M42	805 784	1-5/8" ODF	92,0
		805 795	42 mm ODF	
BVA 218	BVA M54	805 785	2-1/8" ODF / 54 mm ODF	142,0
BVA 258		805 786	2-5/8" ODF	152,0
BVA 318		805 787	3-1/8" ODF	159,0

### Technical data BVA

Maximum working pressure	34.5 bar (500 psi)
Burst pressure	172 bar (2 500 psi)
Medium temperature	-40 to 150°C (-40 to 300 °F)
Medium compatibility	Typically all CFC, HCFC and HFC (R 22, R 404A, R 507, R 134a, R 407C, R 12, R 502. Not compatible with R 11)
Oil compatibility	Mineral-, Alkyl Benzene- and Polyolester (POE) lubricants.

# Shut-Off Valves and Adapters for Compressors, Receivers and Tubing

## Features

- Double port Design
- Steel brazed valves with ground-coat protection
- Rotalock-Valves offer easy installation on Hermetic Compressors and Receivers
- Minimal pressure drop due to optimized flow characteristic
- Valves are 100% internally and externally leak-tested
- Many variations available
- Heavy duty Pocol Seal Cap avoids refrigerant loss
- Low profile flat shape on the flanged types
- High Temperature Resistant packing allows easy brazing (even without additional cooling)

## Options

- Up to three 3/8" SAE male - 7/16" UNF Flare Connections in various configurations



## Technical Data

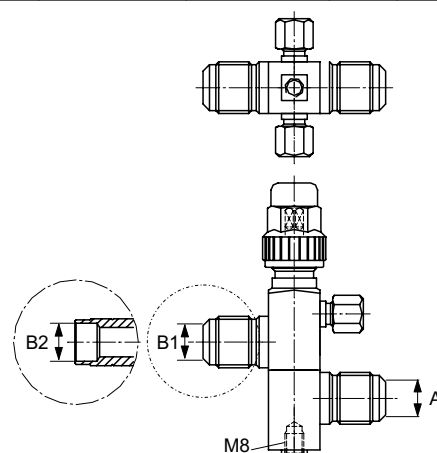
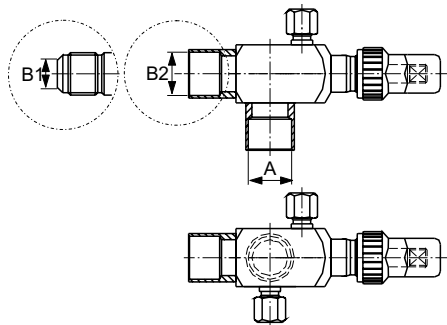
Max. operating Pressure	35 bar	External Leak Rate	Max. 3 g/year
Burst Pressure	175 bar	Compatibility	CFC, HFC HCFC, Mineral-, Synthetic- and Polyolester lubricants
Medium temperature	-40 to 140 °C	Installation	Non position sensitive High silver content brazing material is recommended (Note: After brazing the valve and joint should be painted or otherwise protected to prevent corrosion)
Ambient temperature	-40 to 70 °C		
Transport temperature	-40 to 70 °C		
Housing	Steel with ground-coat corrosion protection, Pocol Seal Cap, Brass cap on gauge connection		

### Angle-Design - copper plated

Order-No.	A ODF	SAE B1	ODF B2	Gauge
14 600 223	16mm	15mm		top
16 200 303	18mm		18mm	top
16 200 403	3/4"		3/4"	top
16 200 203	22mm-7/8"		22mm-7/8"	top
16 200 703	28 mm		28 mm	top
16 200 803	1-1/8"		1-1/8"	top
17 005 203	1-1/8"		1-1/8"	top
17 005 803	35mm-1-3/8"		35mm-1-3/8"	top
22 600 103	1-5/8"		1-5/8"	top

### Straight-Through-Design - tin plated

Order-No.	SAE	B1 SAE	B2 ODF	Gauge Connection	By- Pass
15 751 721	6mm-1/4"	6mm-1/4"		Top in plane	
15 751 921	8mm-5/16"	8mm-5/16"		Top in plane	
15 752 021	10mm-3/8"	10mm-3/8"		Top in plane	
15 752 121	12mm-1/2"	12mm-1/2"		Top in plane	
15 752 421	10mm-3/8"	8mm-5/16"		Top in plane	
15 750 821	10mm-3/8"	10mm-3/8"		Top left	
15 753 621	10mm-3/8"	8mm-5/16"		Top-right	
15 754 721	6mm-1/4"		6mm	Top-right	left
15 754 821	10mm-3/8"		8mm	Top-right	left
15 756 521	10mm-3/8"		3/8"	Top-right	left
14 500 121	12mm-1/2"	12mm-1/2"		Top in plane	
14 500 221	15/16mm-5/8"	15/16mm-5/8"		Top in plane	



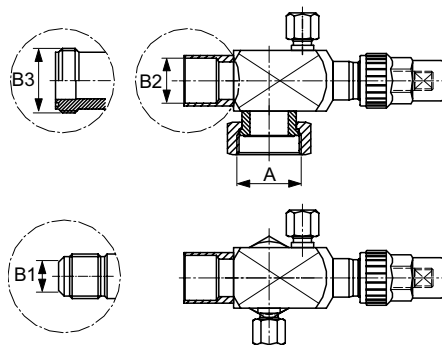
For Gaskets see page 118; other spareparts see page 120.

### Rotalock-Design - Flare (SAE), tin plated

Order-No.	A	B	Gauge Connect.	By-Pass
15 700 121	3/4"-16 UNF	6mm-1/4"	top	-
15 700 321		8mm-5/16"	top	-
15 700 421		10mm-3/8"	top	-
15 700 521		12mm-1/2"	top	-
15 701 121	1"-14 UNS	10mm-3/8"	right	-
15 701 221		1/2"	right	-
15 701 321		12mm	right	-
15 700 721		10mm-3/8"	top	-
15 700 821		12mm-1/2"	top	-
15 308 921		15/16mm-5/8"	top	-
15 309 121		18mm-3/4"	top	-
15 310 621		16mm-5/8"	right	-

### Rotalock-Design - Thread, tin plated

tin plated Order-No.	A	B3	Gauge Conn.	By-Pass
17004001	1-3/4"-12 UNF	1-3/4"-12 UNF	right	



### Rotalock-Design - Solder (ODF), copper plated

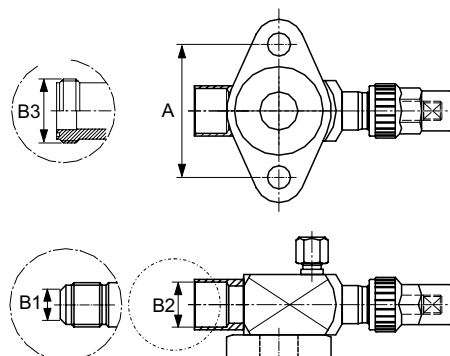
15 703 403	3/4"-16 UNF	3/8"	top	-	
15 703 203		10mm	top	-	
15 703 003		3/8"	top	-	
15 703 303	1"-14 UNS	10mm	top	-	
15 702 903		3/8"	right	left	
15 702 003		12mm	top	-	
15 702 203		1/2"	top	-	
15 702 303		1/2"	right	left	
15 303 803		16mm-5/8"	top	-	
15 311 903		16mm-5/8"	right	left	
17 610 903		1-1/4"-12 UNF	16mm-5/8"	right	left
16 000 403			18mm	top	-
16 000 503			3/4"	top	-
16 000 103	1-1/4"-12 UNF	22mm-7/8"	top	-	
16 000 203		28mm	top	-	
16 000 303		1-1/8"	top	-	
16 002 003		3/4"	left	-	
16 003 903		3/4"	right	left	
16 002 103		1-1/4"-12 UNF	22mm-7/8"	left	-
16 003 703			22mm-7/8"	right	left
16 004 003		1-3/4"-12 UNF	18 mm	right	left
16 002 403			1-1/8"	left	-
16 003 803			1-1/8"	right	left
17 004 103	22mm-7/8"		top	-	
17 004 603	28mm		top	-	
17 005 103	1-1/8"		top	-	
17 005 603	35mm-1-3/8"		top	-	
17 013 503	1-3/4"-12 UNF		22mm-7/8"	right	-
16 004 103			22mm-7/8"	right	left
17 013 803	1-3/4"-12 UNF		1-1/8"	right	-
17 016 703		1-1/8"	right	left	
17 016 903		28 mm	right	-	
17 013 903	1-3/4"-12 UNF	35mm-1-3/8"	right	-	
17 014 003		1-5/8"	top	-	
17 017 003		35mm-1-3/8"	right	left	
17 014 103	2-1/4"-12 UNF	42mm	top	-	
22 500 103		1-3/8"	top	-	
22 500 203		1-5/8"	top	-	
22 500 303	2-1/4"-12 UNF	42 mm	top	-	

### Flanged-Design - Flare (SAE), tin plated

Order-No.	A	B1	Gauge connection	By-Pass
15 900 121	41,3	10mm-3/8"	top	-
15 900 221		12 mm-1/2"	top	-
16 430 021		15/16 mm-5/8"	top	-
16 430 721		19mm-3/4"	top	-
15 901 121	45	10mm-3/8"	top	-
15 901 221		12 mm-1/2"	top	-
16 430 221		15/16 mm-5/8"	top	-
16 430 821		19mm-3/4"	top	-

### Flanged-Design - Solder (ODF), copper plated

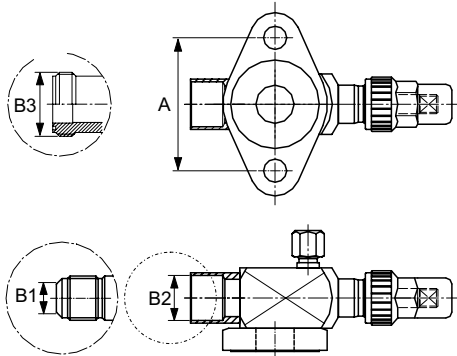
Order-No.	A	B1	Gauge connection	By-Pass
15 902 203	35	12mm-1/2"	top	
15 902 103	41,3	12 mm+1/2"	top	-
17 401 103		16-5/8"+15mm	top	-
17 401 703		16-5/8"+15mm	top	-
17 401 803		16-5/8"+15mm	top	-
16 318 953	55	22mm-7/8"	top	-
16 319 053		1-1/8"	top	-
16 301 393		22mm-7/8"	top	-
16 302 893	70	28mm	top	-
16 303 293		1-1/8"	top	-
17 007 003		35mm-1-3/8"	top	-
16 316 503	70	22mm-7/8"	top	-
16 303 803		1-1/8"	top	-



For Gaskets see page 118; other spareparts see page 120.

### Flanged-Design - Thread, tin plated

Order-No.	A	B3	Gauge connection	By-Pass
16 300 251	41,3	1-1/4 UNF	top	-
16 301 191	45	1-1/4 UNF	top	-
16 300 491	55	1-1/4 UNF	top	-
17 001 401	66	1-3/4"-12 UN-2A	top	-
16 300 851		1-1/4 UNF	top	-



### Rotalock Adapters - Braze (ODF), copper plated

Angle Style Order-No.	Straight-Through Style Order-No.	Ø A	Ø B
	69 160 001	2-1/4"-12	1-5/8"
	69 160 101		35mm-1-3/8"
	69 160 201		42mm

### Rotalock Adapters - Thread, tin plated

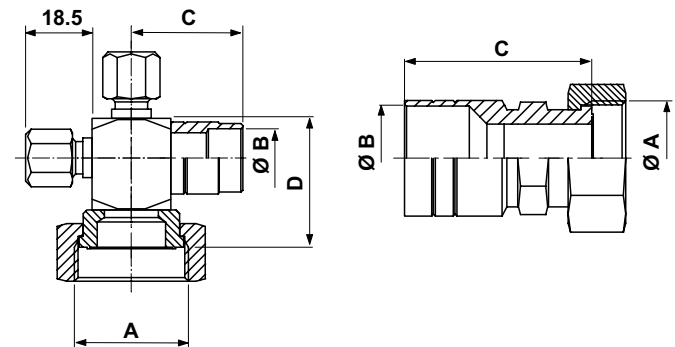
Angle Style Order-No.	Straight-Through Style Order-No.	Ø A	Ø B Thread
	69 130 001	1-3/4"-12	1-3/4"-12

### Rotalock Adapters Angle Style - Flare, tin pl.

Order Nr.	Ø A	Ø B Flare	C mm	D mm
69 000 121	3/4" - 16	6mm	26,5	20,5
69 000 221		1/4"	26,5	20,5
69 000 321		8mm-5/16"	27,5	20,5
69 000 421		10mm-3/8"	27,5	20,5
69 000 521		12mm	32,5	20,5
69 000 621		1/2"	32,5	20,5
69 000 921	1" - 14	8mm-5/16"	27,5	20
69 001 021		10mm-3/8"	27,5	20
69 001 121		12mm	32,5	20
69 001 221		1/2"	32,5	20
69 001 321		15mm	37	23,5
69 001 421		16mm-5/8"	37	23,5
69 001 521		18mm	39	23,5
69 001 621		3/4"	39	23,5

### Rotalock Adapters - Braze (ODF), copper plated

Angle Style Order-No.	Straight-Through Style Order-No.	Ø A	Ø B
69 231 401	69 131 401	3/4"-16	6mm
69 241 401	69 141 401		1/4"
69 232 401	69 132 401		8mm-5/16"
69 233 401	69 133 401		10mm
69 243 401	69 143 401		3/8"
69 231 501	69 131 501		12mm
69 231 601	69 131 601	1"-14	1/2"
69 231 701	69 131 701		6mm
69 231 801	69 131 801		1/4"
69 231 901	69 131 901		8mm-5/16"
69 232 001	69 132 001		10mm
69 232 101	69 132 101		3/8"
69 234 901	69 134 901		12mm
69 244 901	69 144 901		1/2"
69 235 901	69 135 901		15mm
69 245 901	69 145 901		16-5/8"
69 232 201	69 132 201		18mm
69 232 301	69 132 301		3/4"
69 232 601	69 132 601	1-1/4"-12	15mm
69 232 701	69 132 701		16-5/8"
69 236 701	69 136 701		18mm
69 246 701	69 146 701		3/4"
69 237 701	69 137 701		22mm-7/8"
69 232 801	69 132 801		28mm-1-1/8"
69 238 701	69 138 701		28mm
69 248 701	69 148 701		1-1/8"
69 237 801	69 137 801	1-3/4"-12	22mm-7/8"
69 232 901	69 132 901		28mm-1-1/8"
69 238 801	69 138 801		28mm
69 248 801	69 148 801		1-1/8"
69 239 801	69 139 801		35mm-1-3/8"
69 239 901	69 139 901	42mm	



### Teflon Gaskets for Rotalock Valves and Adapters

Type	Order-No.	Thread	Content
DS 10034	40 000 008	3/4"-16 UNF	100 pcs.
DS 10001	40 000 009	1"-14 UNS	100 pcs.
DS 10114	40 000 010	1-1/4"-12 UNF	100 pcs.
DS 10134	40 000 011	1-3/4"-12 UN	100 pcs.
DS 10214	40 000 012	2-1/4"-12 UN	50 pcs.

# Shut-Off Valves for Receivers, Semi-Hermetic and Screw Compressors

## Features

- Corrosion resistant, non toxic, water based paint
- Minimal pressure drop due to optimized flow characteristic
- Double-Port Design
- Valves are 100% internally and externally leak-tested
- Heavy duty pocan seal cap offer optimal tightness and avoids refrigerant loss
- High temperature resistant pure graphite packing
- UL approved (File no. SA 6668)

## Options

- Up to three 1/4" or 1/8" NPTF connections



## Technical Data

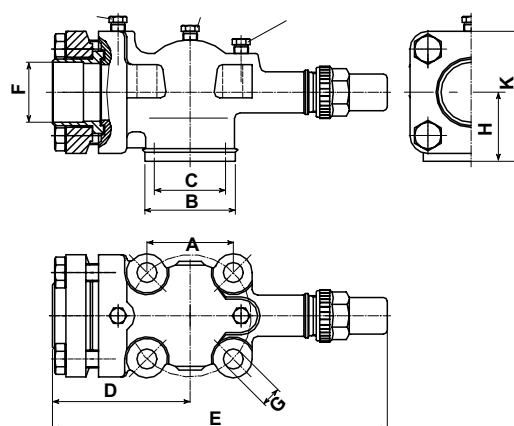
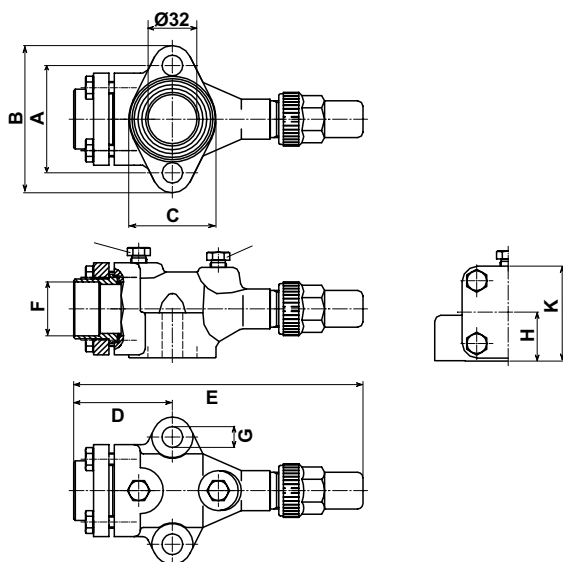
Max. Operating Pressure	35 bar
Burst Pressure	175 bar
Medium Temperature	-40 to 130 °C standard (higher ratings upon request)
Ambient Temperature	-40 to 70 °C
Transport Temperature	-40 to 70 °C
Compatibility	CFC, HFC HCFC, Mineral-, Synthetic- and Polyolester lubricants
Housing	Cast iron body with corrosion protection, Pocan Seal Cap, PA 6 seat-material
External Leak Rate	Max. 3 g/year
Installation	Non position sensitive
Approvals	UL-approved under file no. SA 6668 (except PCN 0800...)

## Cast Iron Valves with 4-Hole Flange

with Gasket	Order-No.	A	B	C	F	G	Gauge Conn.
	32 400 051				Ø42mm-1-5/8"		top
	32 400 051	63,6	Ø70	Ø54	Ø35mm-1-3/8"	Ø13,5	top
	32 404 351				Ø42mm-1-5/8"		top+bottom
	05 035 251				Ø54mm-2-1/8"		top+bottom
	05 025 251	77,8	Ø81,5	Ø64	Ø2-5/8"		top
	05 013 251				Ø1-5/8"	Ø18	top+bottom
	05 011 251				Ø1-3/8"		top+bottom
	08 000 251	99	Ø105,5	Ø85	Ø2-5/8"		top
	08 000 351				Ø3-1/8"		top
w/o Gasket							
	32 400 061				Ø42mm-1-5/8"		top
	32 400 011	63,6	Ø70	Ø54	Ø35mm-1-3/8"	Ø13,5	top
	32 404 341				Ø42mm-1-5/8"		top+bottom
	05 035 201				Ø54mm-2-1/8"		top+bottom
	05 025 201	77,8	Ø81,5	Ø64	Ø2-5/8"		top
	05 013 201				Ø1-5/8"	Ø18	top+bottom
	05 011 201				Ø1-3/8"		top+bottom
	08 000 201	99	Ø105,5	Ø85	Ø2-5/8"		top
	08 000 301				Ø3-1/8"		top

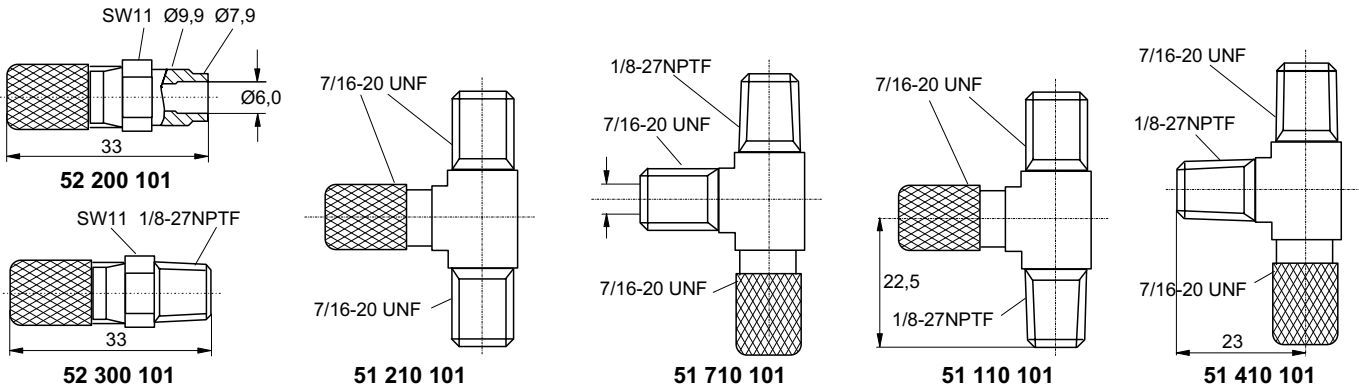
## Cast Iron Valves with 2-Hole Flange

with Gasket	w/o Gasket	Order-No.	Order-No.	A	F	G	Gauge Connection
		15 000 551	15 000 521	70	Ø 7/8"-22 mm	Ø 13,5	top + bottom
		15 000 751	15 000 721	70	Ø 1-1/8"	Ø 13,5	top + bottom
		15 000 851	15 000 821	70	Ø 35mm-1-3/8"	Ø 13,5	top + bottom



For Gaskets see page 118; other spareparts see page 120.

## Brass Straight- and Angle Connectors



## Flare Nut with Copper Seal Cap

Order-No.	Thread	Tube connection
40 000 013	7/16" - 20 UNF	6 mm + 1/4 1/4
40 000 014	5/8" - 18 UNF	6 mm + 1/4"
40 000 015	5/8" - 18 UNF	10 mm + 3/8"
40 000 016	3/4" - 16 UNF	12 mm + 1/2"
40 000 017	7/8" - 14 UNF	16 mm + 5/8"

## Pocan Caps

Order-No.	for Valves with PCN's
01 502 501	145...,146...,151...,153...,157...,159...,164...,174..
01 502 601	160...,162...,163..
01 502 801	150...,170...,225...,226..
01 502 901	324..
01 503 001	050...,080..

## Acid Test Kit Series AOK

### Features

- Quick & easy test kit
- Universal acid test kit for use with all oils : Mineral, POE etc.
- By changing the percentage of oil sample taken, the acid number of the oil can be accurately determined.
- Phase separation of the chemicals in the kit provide a positive colour change regardless of the colour and condition of the oil.

Type	Order no.
AOK-U01	804 166

