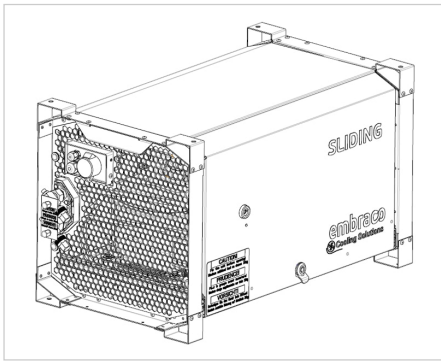


MODEL

UDNJX6250GSEAE00



APPROVALS

CE

✓ ECODESIGN
COMPLIANT

ENGINEERING CODE

645BSO6C3FA

APPROVED REFRIGERANT

R449A

POWER SUPPLY

400V 50Hz / 440V 60Hz 3~

STANDARD CONDITIONS

EN13215_SH10

APPLICATION

M/HBP

COOLING CAPACITY

2667 W

EFFICIENCY

1.54 W/W

DATA

General Data

Weight	110 Kg
Receiver	3.9 L
Height	613 mm
Length	870 mm
Width	638 mm
Power Supply	400V 50Hz / 440 60Hz 3~

Electrical Data

Motor Type	3 phase
Locked Rotor Amperage (LRA)	23 A
Max Current	6.4 A

Spare Parts

Fan Kit	AXIAL FAN 230V/50HZ/1PH	1451108
Dryer	FILTER DRYER 10MM ODF	2730010
Sight Glass	SIGHT GLASS 10MM ODF	2464040
LP Pressostat	PS1-A3K	2466036
Heater	CRANKCASE HEATER 230V/55W	2464141
Fan speed controller	JCIP215PR	2464088
Condenser	4R18T	2451272
HP Pressostat	P100CP-106D	2466034
Compressor	NIX6250GS	945BS29..AC
Valve Suction	SOLDER 1/2"	2110137
Valve Discharge	SOLDER 3/8"	2110136
Electrical Kit	ELECTRICAL BOX	XXXXXX
Flexi Hose	FLEXI HOSE 8MM/12MM ODF	2464413/2464414

Fan Motor

Number	1
Shaft Power	
Air Flow	840 m3/h
Blade diameter	400 mm

PERFORMANCE

Rated Points

Ambient Temperature	Cooling Capacity	Power Consumption	Current	Efficiency
32.00°C	2667 W	1735 W		1.54 W/W

Test Condition EN13215_SH10: Evaporating temp. -10°C, Ambient temp. 32°C, Return Gas 0°C, Subcooling 3K, Superheating 10K

Performance Curve Data

Ambient Temperature 25°C

Evaporating Temperature °C	Cooling Capacity W	Power Consumption W	Current A	Efficiency W/W
-15	2424	1485		1.63
-10	3019	1636		1.85
-5	3736	1799		2.08
0	4573	1972		2.32
5	5529	2154		2.57
10	6603	2341		2.82

Test Condition EN13215_SH10

Ambient Temperature 32°C

Evaporating Temperature °C	Cooling Capacity W	Power Consumption W	Current A	Efficiency W/W
-15	2104	1580		1.33
-10	2667	1735		1.54
-5	3345	1906		1.75
0	4133	2093		1.97
5	5031	2292		2.19
10	6036	2501		2.41

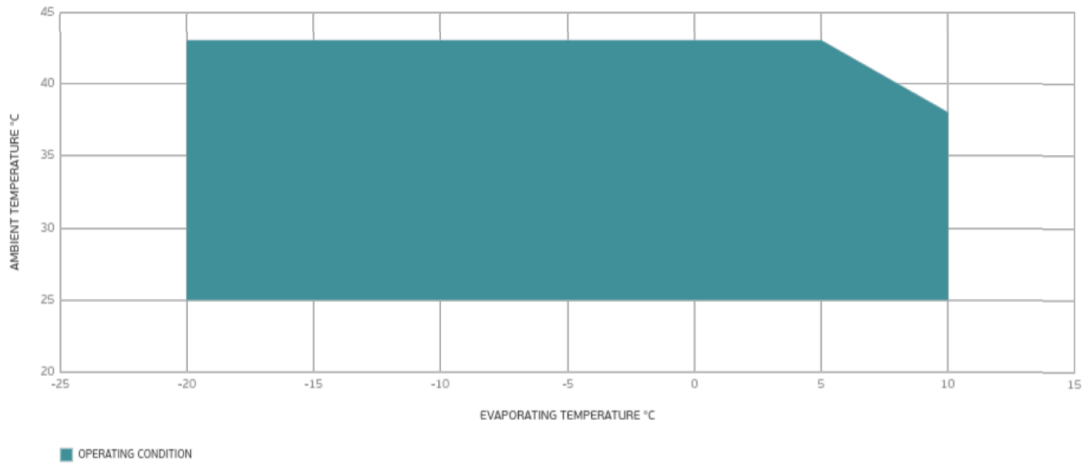
Test Condition EN13215_SH10

Ambient Temperature 43°C

Evaporating Temperature °C	Cooling Capacity W	Power Consumption W	Current A	Efficiency W/W
-15	1712	1741		0.98
-10	2130	1932		1.10
- 5	2648	2147		1.23
0	3262	2385		1.37
5	3970	2642		1.50

Test Condition EN13215_SH10

Operating Envelope



External Dimensions

