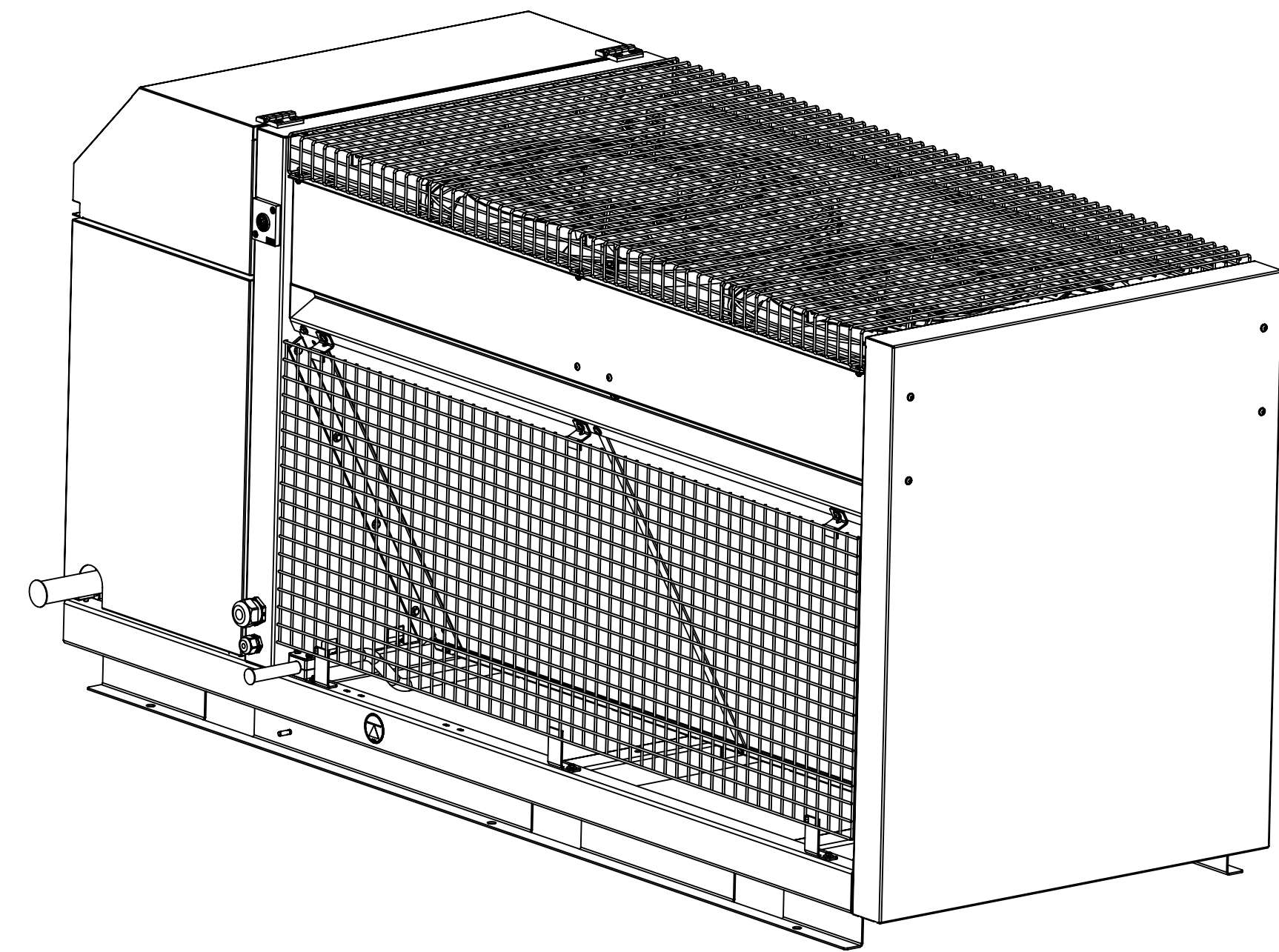
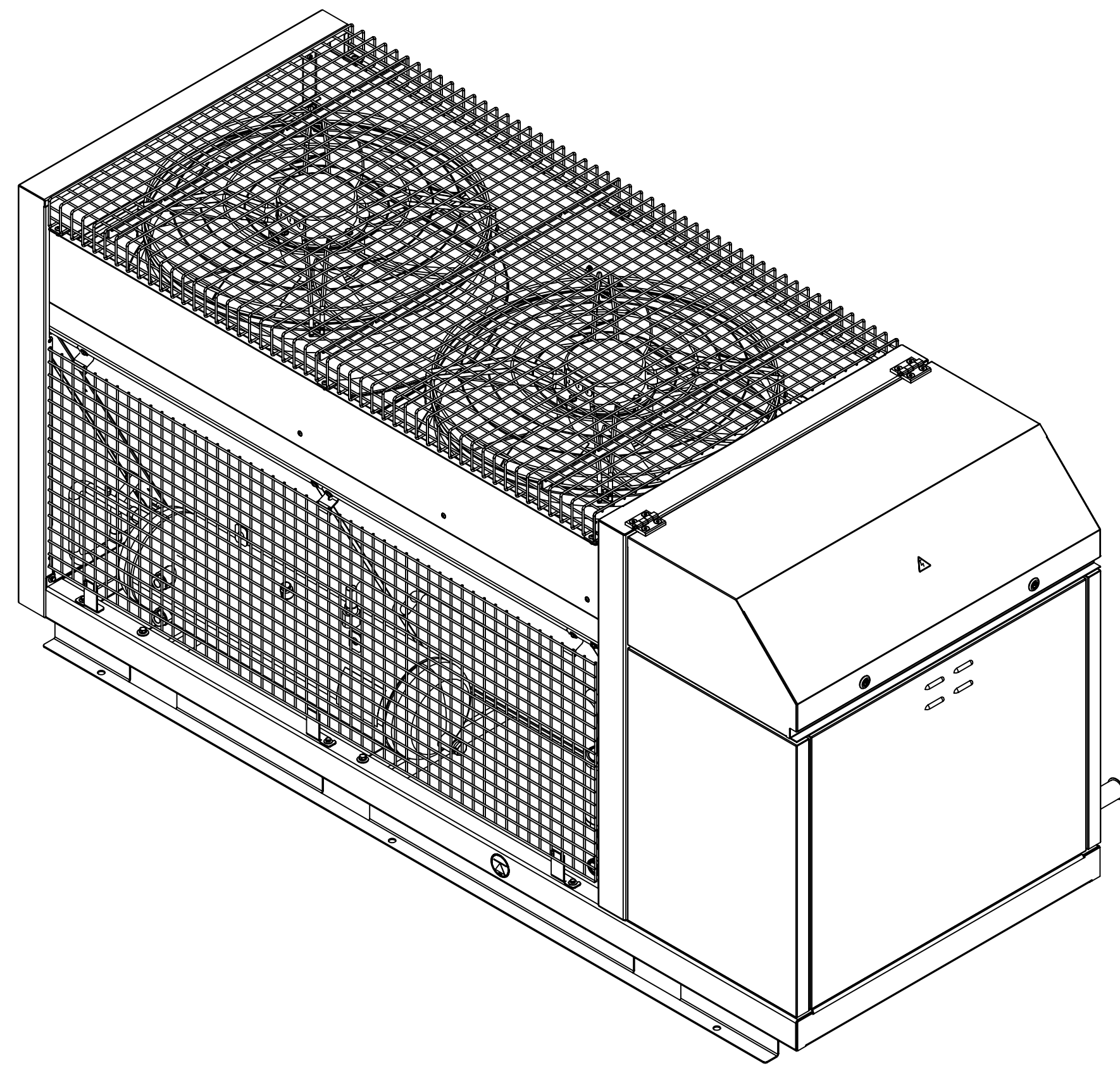


ITEM	TYPE UNITS
1	OLTE-82D-TFD-501
2	OMTE-152D-TFD-501

SPECIFICATIONS	
ES NO.	DESCRIPTION
ES92-155	CONVERSION-METRIC



INTERPRET PER ASME
Y14.5M-1994 AND
EMERSON DESIGN
STANDARDS DS2002

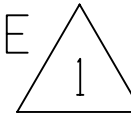

DO NOT SCALE DRAWING

CRITICAL PRODUCT CHARACTERISTICS

UNLESS OTHERWISE SPECIFIED
DIMENSIONS ARE MILLIMETER OR (INCH)

TOLERANCES:
1-PLACE ± 0.4
2-PLACE ± 0.15
ANGULAR ± 0.5°

ECN305171	0	RELEASED	03-05-19	MNT	JH
ENG NOTICE NO.	REV.NO.	REVISIONS	DATE	BY	CHKD
26		CONFIDENTIALITY NOTICE			
THIS DRAWING AND INFORMATION CONTAINED HEREIN ARE THE EXCLUSIVE PROPERTY OF EMERSON CLIMATE TECHNOLOGIES, INC AND/OR ITS AFFILIATES (COLLECTIVELY "EMERSON") AND SHALL BE RETURNED UPON DEMAND AND SHALL NOT BE REPRODUCED IN WHOLE OR IN PART, DISCLOSED TO ANYONE ELSE OR USED, WITHOUT THE WRITTEN CONSENT OF EMERSON.					
MATERIAL SPECIFICATION	DRAWN BY	SUPERSEDES DWG NO /	REV NO		
N/A	MNT	- / -	-		
	DATE	SCALE	DATE FORMAT:		
	03-05-19	1:10	MM-DD-YY		
TITLE	DRAWING NUMBER	SHEET 1 OF 2 DWG			
REF DWG-INSTALATION	497-3239-00	4			
		SIZE			

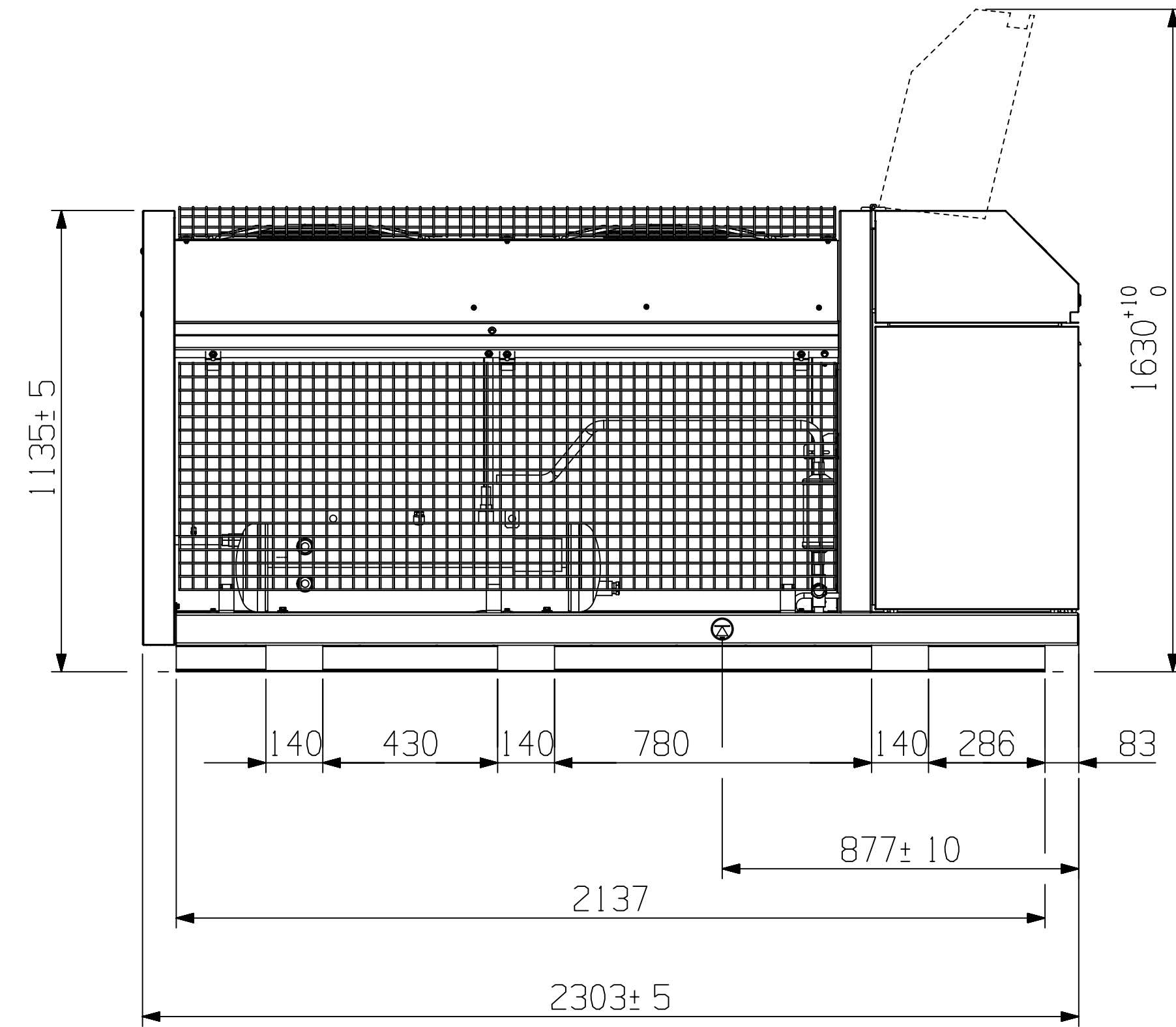
ITEM	TYPE UNITS	WEIGHT UNIT	SUCTION LINE CONNECTION 	LIQUID LINE CONNECTION 
		KG	OD BRAZING	OD BRAZING
1	OLTE-82D-TFD-501	568	1 5/8" (41.27 MM)	7/8" (22.23MM)
2	OMTE-152D-TFD-501	580	1 5/8" (41.27 MM)	7/8" (22.23MM)

NOTES:

1. EXTERNAL DIMENSION WITH PACKAGING 2389X1259X1105 MM (WIDTH X HEIGHT X DEPTH IN MILLIMETERS);

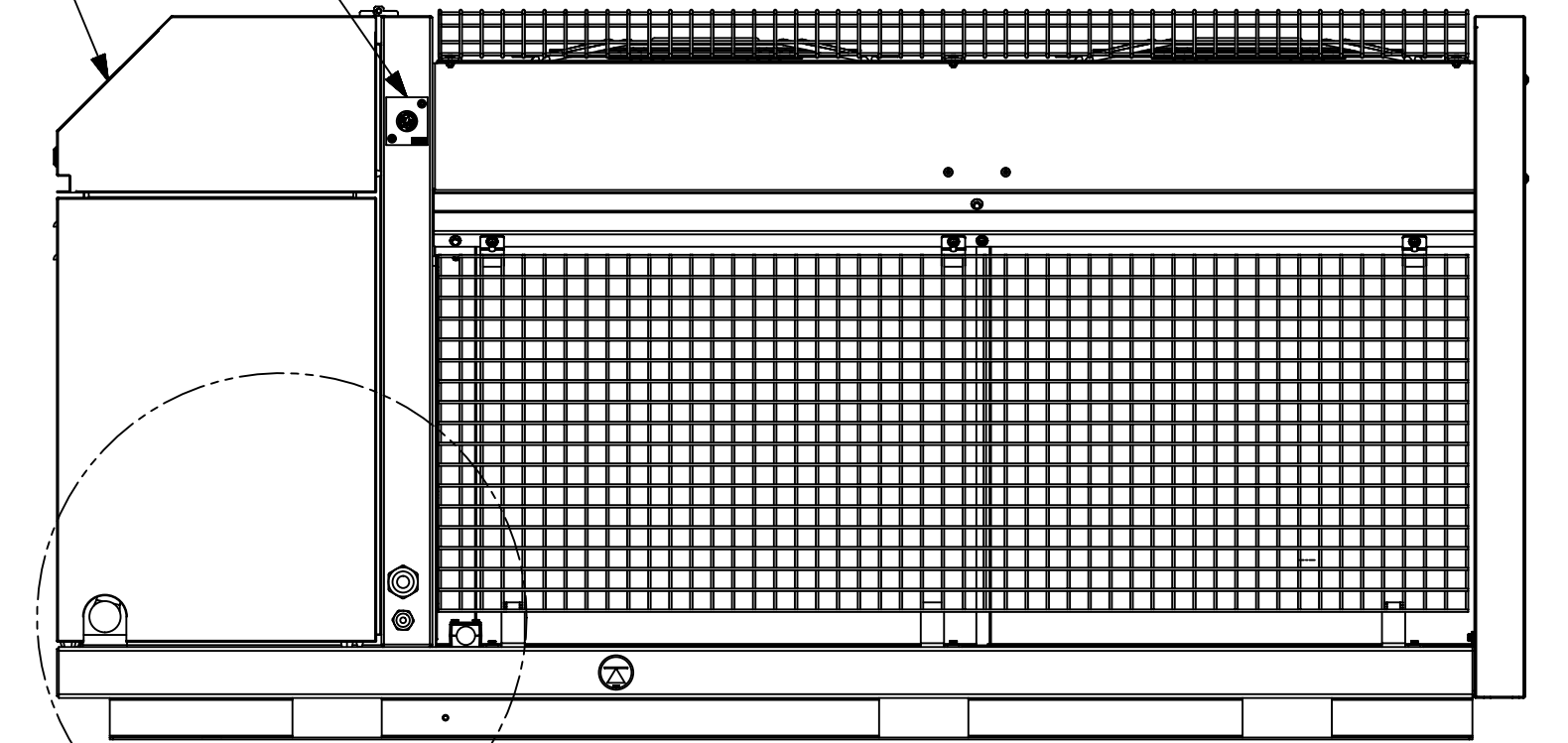
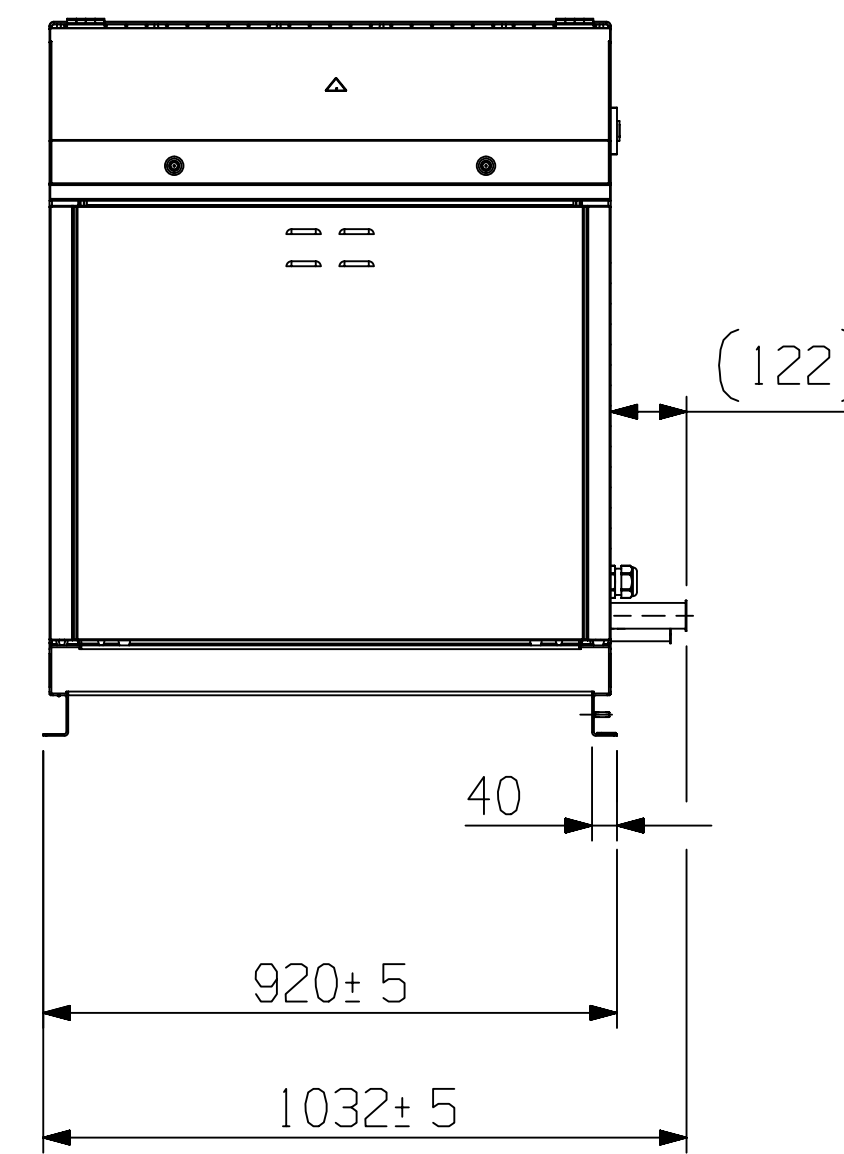
2. STEP AND DXF FILE ARE AVAILABLE ON REQUEST;

A
↓

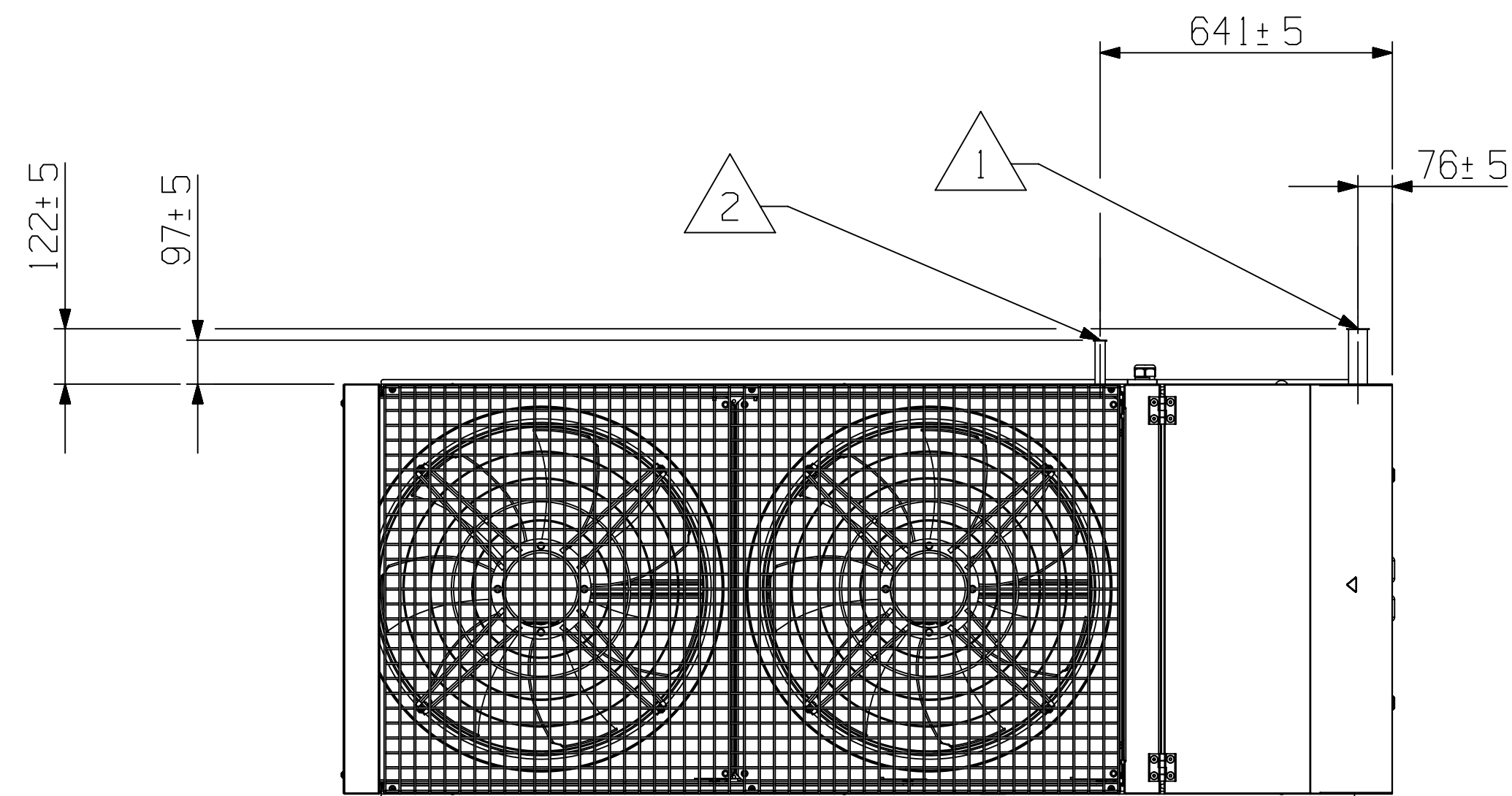


MAIN SWITCH-STANDARD HANDLE OUTSIDE

ELECTRO BOX-COVER



SEE DETAIL Y

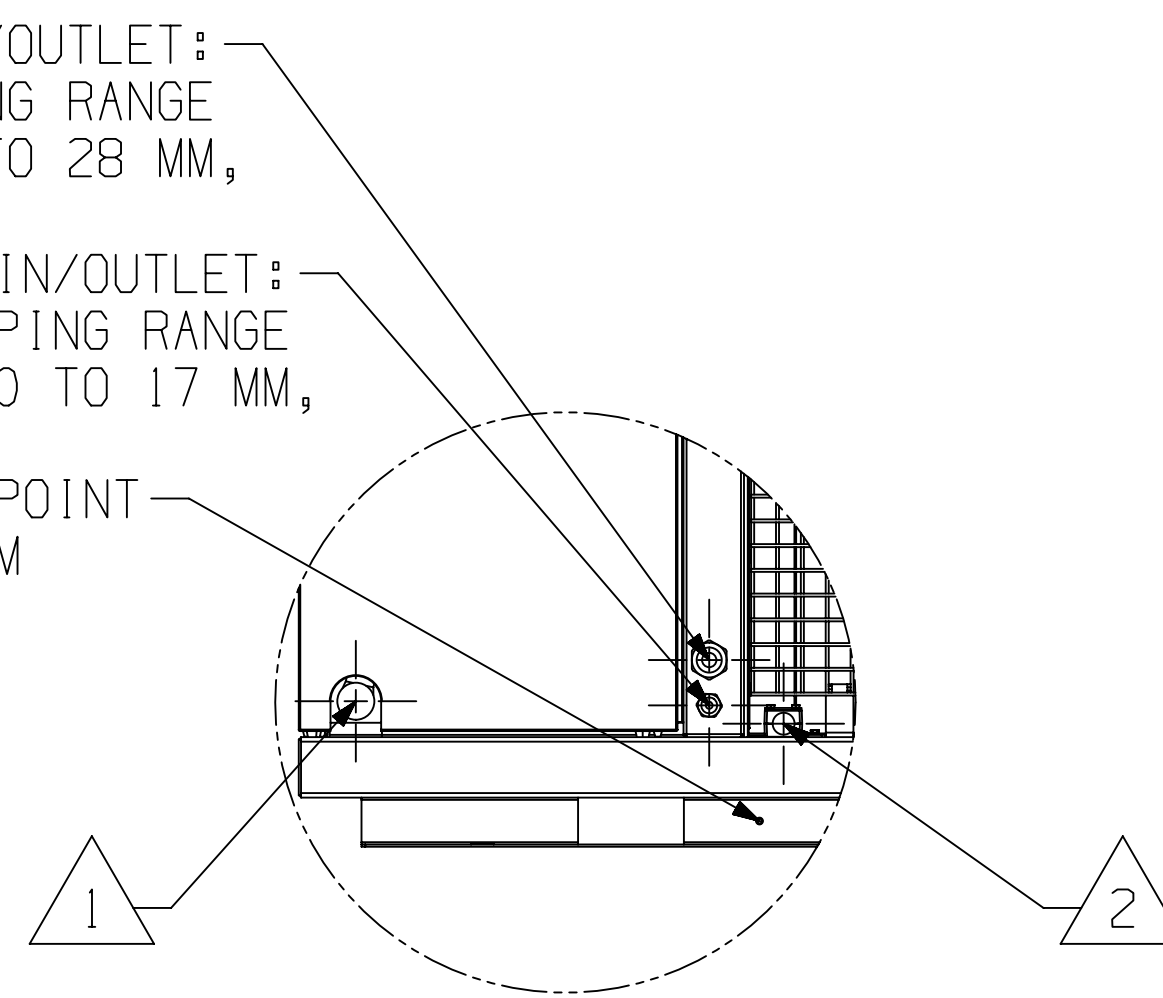


VIEW A

CABLE IN/OUTLET:
- GLAND M40X1.5, CLAMPING RANGE FROM 16 TO 28 MM,

CABLE IN/OUTLET:
- GLAND M25X1.5, CLAMPING RANGE FROM 10 TO 17 MM,

GROUNDING POINT
- M8 X 25MM



DETAIL Y
SCALE 1:10

