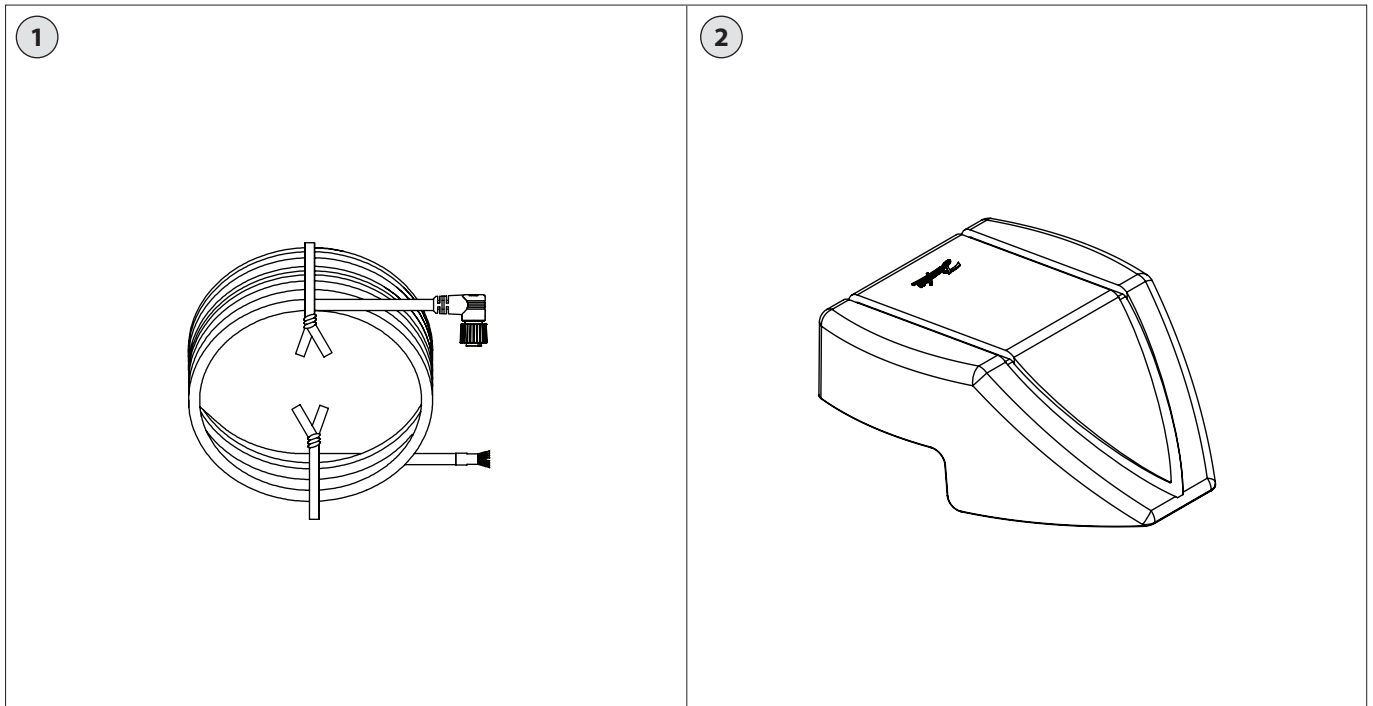


Data sheet – Spare parts and accessories

Actuators for ICM and ICMTS

Types ICAD 600A, ICAD 600A-TS and ICAD 1200A



| Description | Fig. # | Qty. | Code no. |
|-------------------------|--------|------|----------|
| Cable for ICAD | | | |
| Cable set 1.5 m, female | 1 | 1 | 027H0426 |
| Cable set 3 m, female | 1 | 1 | 027H0438 |
| Cable set 10 m, female | 1 | 1 | 027H0427 |
| Cable set 15 m, female | 1 | 1 | 027H0435 |

| Description | Fig. # | Qty. | Code no. |
|--|--------|------|----------|
| Protection cap ICAD | | | |
| Protection cap | 2 | 1 | 027H0431 |
| Female Connectors with screw terminals: | | | |
| - connector for power | - | 2 | 027H0430 |
| - connector for control signals | - | 2 | 027H0430 |