

CERTIFICATE OF PLANT DESIGN REGISTRATION

Work Health & Safety Act 2011
Work Health & Safety Regulation 2011

ABN: 81 913 830 179
Phone: 13 10 50

Registration No: PV 6-211879/17

Issue Date: 7/04/2017

Registration Holder: DANFOSS A/S

Postal Address: 81 NORBORGVEJ
NORDBORG 6430
DENMARK

Plant Type: Pressure Vessel Original

Model Number/ Trade Name: SCROLL COMPRESSOR SHELL NO 11

Technical Standard : EN 14276-1:2006 + A1:2011

Engineering Principles: No

Drawing Number Design:

Design Description:

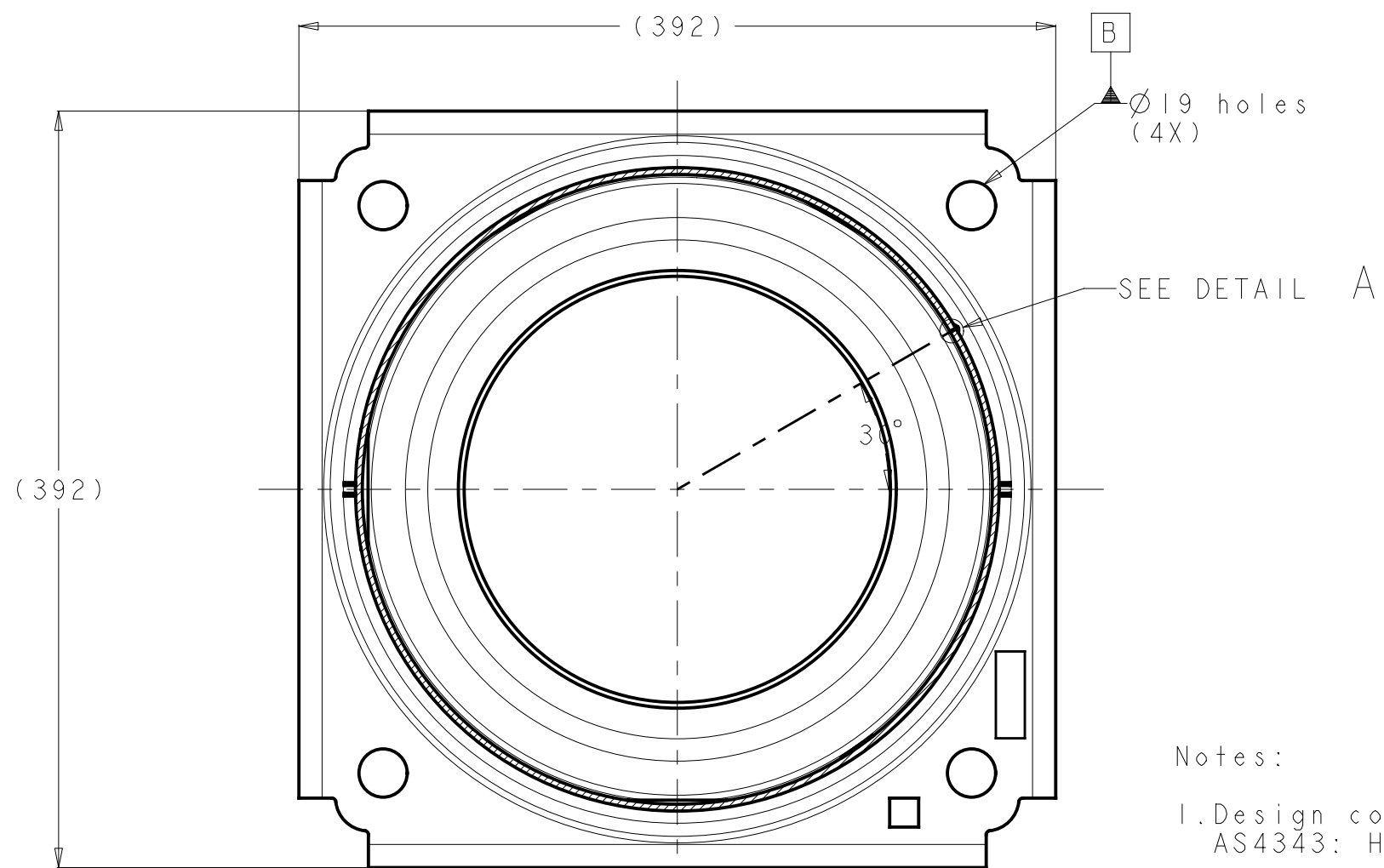
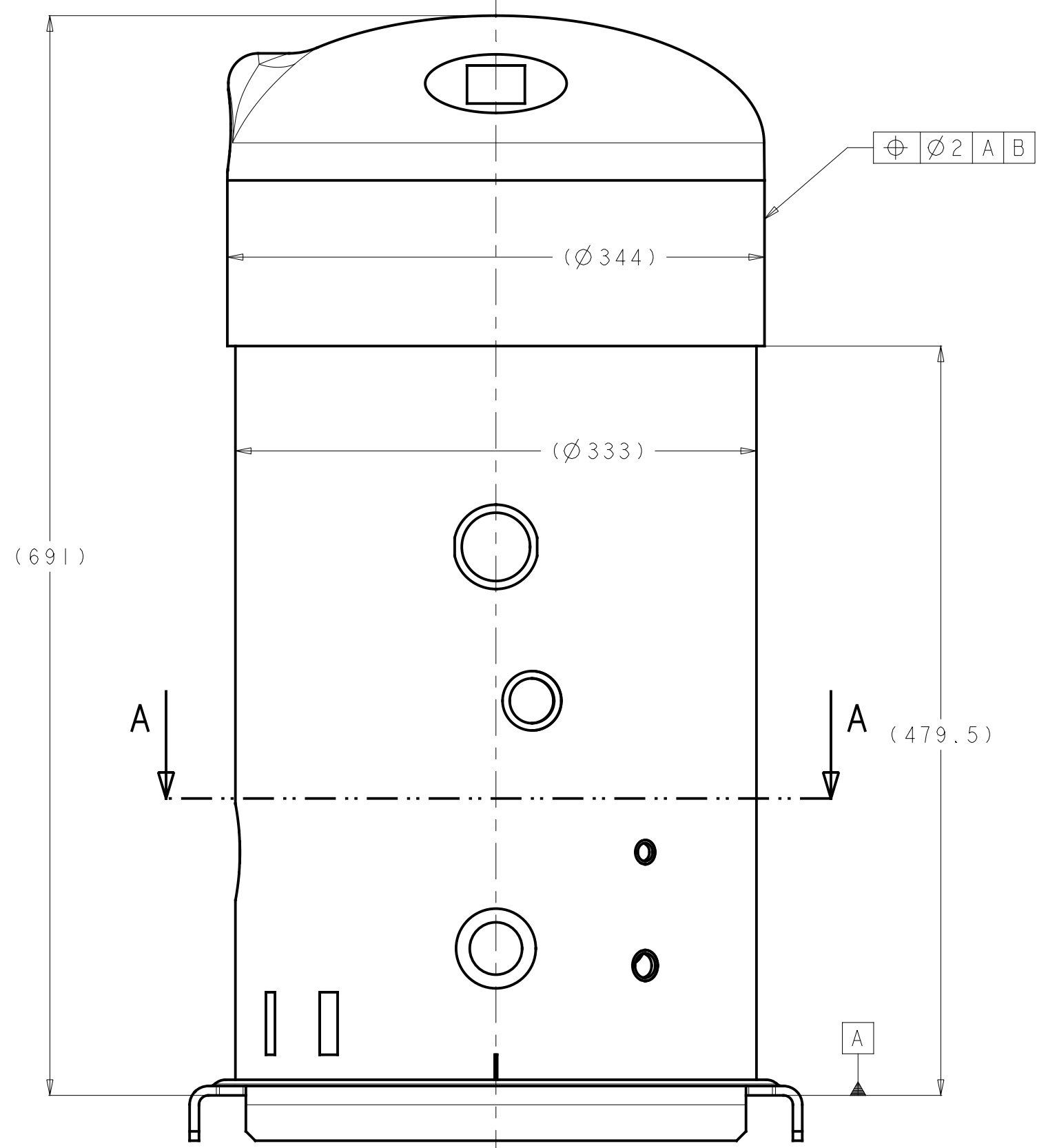
Hazard Level	C
Contents	Harmful
Chamber 1 Volume (l)	32.8
Chamber 1 Design Pressure (kPa)	0 TO 2000
Chamber 1 Temperature (°C)	-35 TO 53
Chamber 1 Fluid Type	Gas
Drawing Number & Revisions	9850280_806 REV A
Pressure Vessel	Other
Other Type	HERMETIC COMPRESSOR SHELL
Number of Chambers	1

Note: The design of an item of plant registered under the Occupational Health and Safety Regulation immediately before the repeal of that regulation is deemed to have been registered under part 5.3 of the WHS Regulation

Fee Paid: \$ 272.08

Receipt Date: 31/03/2017

Receipt No: 30-1715



SECTION A - A

⊕ Ø2 A B

(Ø344)

(Ø333)

(691)

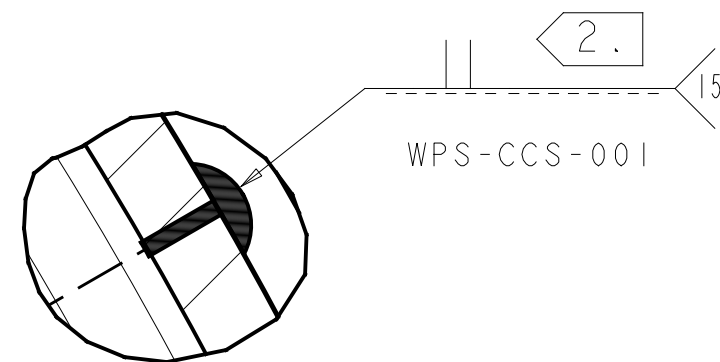
(479.5)

(392)

Ø19 holes (4X)

SEE DETAIL A

(392)



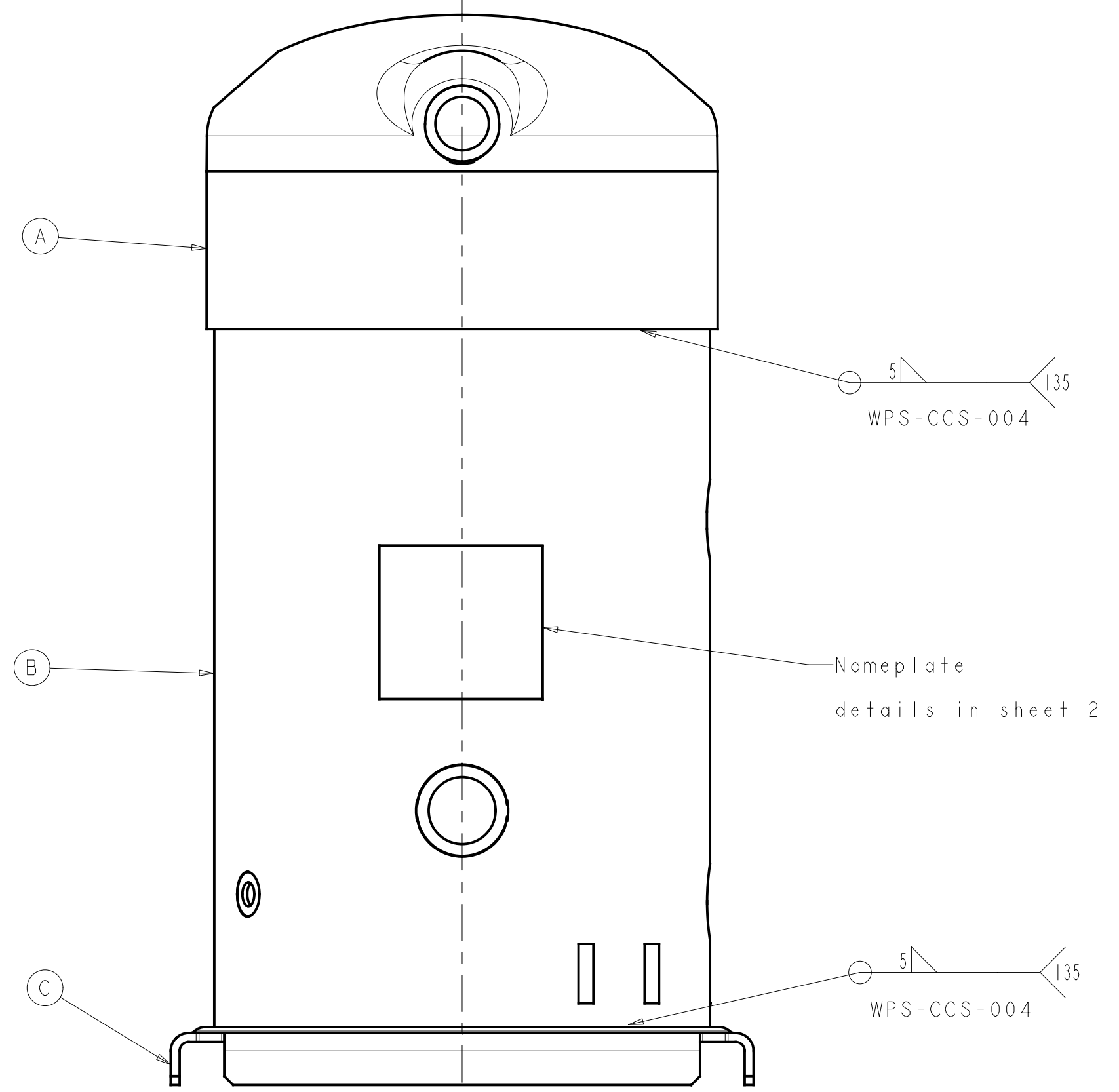
DETAIL A
SCALE 3/1

Notes:

1. Design code: EN13445, EN14276-1.
AS4343: Hazard level C.

2. Longitudinal continuous welding, without porosities, with a full penetration or welding with a bead visible inside the shell.

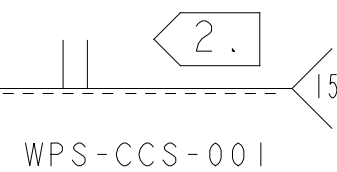
3. Compressor Model:
SY240, SZ240



WPS-CCS-004

Nameplate details in sheet 2

WPS-CCS-004



WPS-CCS-001

	Pressure (bars)	Volume(L)	TSMX (°C)	TSMI (°C)
Lower Pressure	20.0	32.8	53	-35
High Pressure	29.6	5.0	150	-35

Model	Part	description	Drawing No.	Thickness MIN.	CNCC		FRCC	
					Material Grade	Material Standard	Material Grade	Material Standard
SY240	A	upper shell	5312319	3.5mm	SPHC	Q/BQB 302	DD13	EN 10111
	B	mid shell	5312332	3.3mm	SPHE	Q/BQB 302	DD13	EN 10111
	C	lower shell	5312377	5.4mm	SPHC	Q/BQB 302	DD13	EN 10111

General Tolerances Table	Drawing Status : change in progress			Surface Area (m2) Estimated Mass (Kg) Projection Scale Size 1/3 A2 Key characteristic Critical characteristic According to Danfoss standard 5022024 Material : - Designation Scroll Compressor Shell No.11 Sheet 1 of 2 A Dwg N° 9850280 806 A
	Roughness (µm)	A	Creation 10-10-2016	
	Revision	ECR Number	Date	
	Designer	Wu Fang		
Approval	Kong Haili		Confidential: Property of Danfoss Commercial Compressors. Not to be handed over to copied or used by third party. Two or three dimensional reproduction of contents to be authorized by Danfoss CC.	
ISO 8015 ISO 1101				



Nameplate

General Tolerances Table	Drawing Status : change in progress				▽ Key characteristic ◊ Critical characteristic According to Danfoss standard 50220024 Material : - Designation Scroll Compressor Shell No.11
	Surface Area (m2)	Estimated Mass (Kg)	Projection	Scale	
Roughness (µm)	A	Creation	10-10-2016		Sheet 2 of 2 A Dwg N° 9850280 806 A
	Revision	ECR Number	Date		
	Designer	Wu Fang			
	Approval	Kong Haili			
• ISO 8015 • ISO 1101	Confidential: Property of Danfoss Commercial Compressors. Not to be handed over to copied or used by third party. Two or three dimensional reproduction of contents to be authorized by Danfoss CC.				