

Instructions / Anleitung / Instructions / Instrucciones / Istruzioni / Instruções / Instruktioner / Instrukcje / Инструкция

Optyma™ Plus

OP-MPS, OP-MPT, OP-LPV, OP-LPK and OP-MPI

English / English	p. 2
Deutsch / German	p. 8
Français / French	p. 14
Español / Spanish	p. 20
Italiano / Italian	p. 26
Português / Portuguese	p.32
Svenska / Swedish	p. 38
Polski / Polish	p. 44
Annex - A Technical data / Technische Daten / Données techniques / Datos técnicos / Dati tecnici / Dados técnicos / Teknisk data / Dane techniczne / Технические характеристики	p. 50
Annex - B GA & PID Drawings / Maßzeichnungen und RI-Fließbild / Schéma GA et PID / GA y Plano PID / Disegno GA e PID / Diagrama GA e PID / GA- och PID-ritning / schemat rozmieszczenia oraz orurowania i oprzyrządowania / Компонувочный чертеж и схема трубной обвязки	p.66
Annex - C Wiring Diagram / Schaltplan / Schéma de câblage / Diagrama de cableado / Schema elettrico / Esquema elétrico / Kopplingsschema / schemat okablowania / Электрическая схема	p.72



Instructions (English)

Optyma™ Plus

OP-MPS, OP-MPT, OP-LPV, OP-LPK and OP-MPI



Optyma™ Plus electrical box ingress protection level is IP54 to avoid quick A2L refrigerant migration. Sealing needs to be maintained and any damage on sealing needs to be repaired appropriately. (See section 8 - Safety)
E-Box door must always be closed during operation and after service/periodic maintenance.
Installation and servicing of the condensing units by qualified personnel only. Follow these instructions and sound refrigeration engineering practice relating to installation, commissioning, maintenance and service.
The condensing unit must only be used for its designed purpose(s) and within its scope of application and according to instruction. Refrigerant to be used as per specification with respect to model.
Under all circumstances, the EN378 and other applicable local safety regulation requirements must be fulfilled.
The condensing unit is delivered under nitrogen gas pressure (2 bar(gauge)) and hence it cannot be connected as it is; refer to the «installation» section for further details.
The condensing unit must be handled with caution in the vertical position (maximum offset from the vertical : 15°)
Condensing units can be used with A2L refrigerants, necessary care to be taken during installation and servicing.
In case of A2L refrigerants, all components on the refrigeration circuit must be A2L certified. Example: Evaporator and Expansion Valve.
For PED Cat I models : Pressure relief valve shall be mounted in refrigerant system during field installation. PRV should be mounted on receiver vessel. For PED Cat II models : Pressure relief valve is factory fitted with Condensing unit on liquid receiver with 34.5 ± 1 bar pressure setting. (See section 3.1 - PRV valve)
Operation of Receiver Rotolock valve should be operated by trained/skilled professional operator. Make sure all rotolock valves are open during CU operation.

Relevant Standards and Directive

EN 378-2:2016: Refrigerating Systems And Heat Pumps-Safety And Environmental Requirements.

EN 60335-1: Household And Similar Electrical Appliances – Safety –Part 1: General Requirements

EN IEC 61000-6-8:202: Electromagnetic compatibility (EMC) Part 6-8: Generic standards

EN 60335-2-40 : Household and similar electrical appliances

EN 60335-2-80 : Household and similar electrical appliances

Low Voltage Directive 2014 / 35 / UE

Machinery Directive 2006 / 42 / CE

Pressure Equipment Directive (PED) no. 2014/68/EU

RoHS Directive 2011/65/EU

WEEE Directive 2012/19/EU

(Other local applicable standards)

1 – Introduction

These instructions pertain to Optyma™ Plus condensing units OP-MPS, OP-MPT, OP-LPV, OP-LPK and OP-MPI used for refrigeration systems. They provide necessary information regarding safety and proper usage of this product.

The condensing unit includes following:

- Microchannel heat exchanger
- Reciprocating or scroll compressor
- Receiver with stop valve
- Ball valves with schrader Valve
- Sight glass (Flare connections)
- Suction and Discharge Pressure transducers (Schrader valve mounted)
- High & low pressure switches
- Filter drier (Flare connections)
- Electronic controller
- Main circuit breaker (Main switch with overload protection)
- Fan and compressor capacitors
- Compressor contactor
- Robust weather proof housing
- IP54 Fully pre-wired electrical panel
- AC Fan motor for H1 & H2 Models
- EC Fan motor for H3 & H4 models
- PRV is fitted in PED Cat II models (Technical data sheet - Annex - A)
- Components connected are equipped with Schrader port
- Liquid injection controller (Module B Plus)*
- Electronic expansion valve (ETS6) for Liquid injection*

* Only for P02 version models

2 – Handling and storage

- Do not braze as long as the condensing unit is under pressure.
- A2L refrigerants are heavier than air, hence Danfoss recommend to install above ground level. Refer Annex - A
- It is recommended not to open the packaging before the unit is at the final place of installation.
- Handle the unit with care. The packaging allows for the use of a forklift or pallet jack. Use appropriate and safe lifting equipment.
- Store and transport the unit in an upright position.
- Store the unit between -35°C and 50°C.
- Don't expose the packaging to rain or corrosive atmosphere.
- After unpacking, check that the unit is complete and undamaged.

3 – Installation precautions

	Do not braze as long as the condensing unit is under pressure.
	Place the unit in such a way that it is not blocking or hindering walking areas, doors, windows or similar.
	A2L refrigerants are heavier than air. Unit has to be installed above floor level to have a good compressor compartment ventilation.



PRV: In PED Cat II models, PRV comes with installed. For PED Cat I models, PRV shall be mounted at field during installation.

- Ensure adequate space around the unit for air circulation and to open doors. Refer to Annex - A for minimal values of distance to walls.
- Avoid installing the unit in locations which are daily exposed to direct sunshine for longer periods.
- Avoid installing the unit in aggressive and dusty environments.
- Ensure a foundation with horizontal surface (less than 3° slope), strong and stable enough to carry the entire unit weight and to eliminate vibrations (use grommets, pads or support) and interference.
- The unit ambient temperature may not exceed 63°C during off-cycle.
- Ensure that the power supply corresponds to the unit characteristics (see nameplate).
- When installing units for R454C, R455A and R1234yf refrigerants, use equipment specifically reserved for A2L refrigerant which was never used for other HFO, CFC or HCFC refrigerants.
- Use clean and dehydrated refrigeration-grade Copper / Aluminium tubes with appropriate thickness and silver alloy brazing material.
- Use clean and dehydrated system components.
- The suction piping connected to the compressor must be flexible in 3 dimensions to dampen vibrations. Furthermore piping has to be done

Instructions

in such a way that oil return for the compressor is ensured and the risk of liquid slug over in compressor is eliminated.

- In Optyima condensing unit has suction and liquid service valve with schrader port for field service operation
- Optyima Plus unit codes 114X34-- and 114X44-- have two inline receivers with valves. Make sure both the valves are open before starting.

3.1 – PRV Valve

	For Optyima™ Plus, Condensing units which are fall in PED cat II, PRV is factory fitted with 34.5 ±1 bar presetting. (See Technical data for PED category in Annex A).
	For Optyima™ Plus, Condensing units which are fall in PED cat I, PRV shall be fitted (See Technical data for PED category in Annex A).
	PRV is used as damage limiting device, not as pressure limiting device.

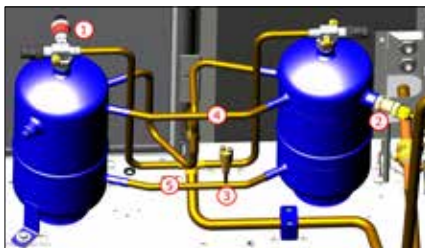
- PRV to be fitted on liquid receiver at 3/8" NPT Connection. (Refer Coolselector2 for PRV spare part code). Use Locatite 554 for PRV fitment.
- Torque: 40Nm (Don't exceed given torque)



- Installer need to take care of where to blow the leaked refrigerant. Danfoss recommended to blow refrigerant away from condensing unit.
- Recommended to change PRV when after discharge, Changing refrigerant
- Don't remove the seal and attempt to reset the valve.
- Valves must be installed vertically or Horizontally, but ensure PRV to be fitted above system's liquid level.
- Ensure refrigerant is released safely to the atmosphere directly.
- In case of hazard, an additional spare kit has been designed in order to collect the released refrigerant. Kit should be installation with proper piping routing for discharge of refrigerant safely. (See picture below)



- PRV should not be installed on service valve.
- Replace PRV after clean out of system or bared out.
- No Detachable joints and valves should not accessible to public. All brazing joints should comply with EN 14276-2 and other permanent joints should comply with EN-16084.
- Optyima Plus unit codes 114X34-- and 114X44-- have a PRV assembled at one of receiver. In other receiver, a blind plug is installed.



1. HP Pressure Transmitter
2. Pressure Relief Valve
3. ACB Pressure Switch
4. Gas Equalization Port
5. Liquid Equalization Port

4 – Installation

- Installation/servicing of Optyima™ Plus condensing units must be carried out by qualified personnel with respect to applicable local/international regulation and with the correct user Personal Protective Equipment (PPE).
- The installation in which the condensing unit is installed must comply to pressure Equipment Directive (PED) 2014/68/EU. The condensing unit itself is not a "unit" in the scope of this directive.
- The unit must be securely installed on a stable and rigid support. Refer Annex - A.
- It is recommended to install the unit on rubber grommets or vibration dampers (not supplied).
- It is possible to stack units on top of each other.

Unit	Maximum stacking
Housing 1 (Code no. 114X31-- or 114X41--)	3
Housing 2 (Code no. 114X32-- or 114X42--)	2
Housing 3 (Code no. 114X33-- or 114x43--)	2
Housing 4 (Code no. 114X34-- or 114x44--)	2

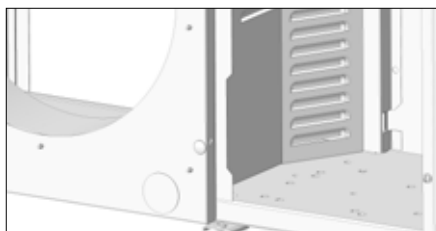
- When stacking, the topmost unit must be secured to the wall, as shown in picture 2.
- Slowly release the nitrogen holding charge through the schrader port.
- Connect the unit to the system as soon as possible to avoid oil contamination from ambient moisture.
- Avoid material entering into the system while cutting tubes. Never drill holes where burrs cannot be removed.
- Braze with great care using state-of-the-art technique and vent piping with nitrogen gas flow.
- Connect the required safety and control devices. When the schrader port is used for this, remove the dummy cap.
- It is recommended to insulate the suction pipe from evaporator up to the compressor inlet with 19 mm thick insulation.
- Make sure there is no refrigerant or damage inside unit and crack in pipes.
- Make sure that all components inside electrical box are protected against electrical overload and "not source of ignition" from its respective manufacturer for approved refrigerants.
- Field wiring must be routed through IP65 cable glands and cable entry plate only. For any additional wire routing drilling or piercing electrical panel sides strictly prohibited.
- For field wiring, only required hole to be pierced. No pierced hole should be left without cable in it.

If undesired/unwanted piercing happens entire gland plate should be replaced.

118U5258 - Spare part, cable gland



- Partition panel and base plate has dedicated openings for pre ventilation, do not seal / obstruct / close the openings in any manner.



- In the event of uncertain leakages, to avoid refrigerant concentration in compressor compartment, Fan starts before compressor with ON time delay of 30 seconds for compressors.
- Copper piping material should comply with EN12735-1. And all pipe joints should comply with EN14276-2
- At filed installation, support to added according to size and weight. Recommended maximum spacing for pipe support as per EN12735-1 & EN12735-2
- Connecting pipes shall be made before opening the valves to permit refrigerant to flow between the refrigerating system parts.

5 – Leak detection

	Never pressurize the circuit with oxygen or dry air. This could cause fire or explosion.
--	--

- Do not use dye for leak detection.
- Perform a leak detection test on the complete system.
- The maximum test pressure is 25 bar.
- When a leak is discovered, repair the leak and repeat the leak detection.

6 – Vacuum dehydration

- Never use the compressor to evacuate the system.
- Connect a vacuum pump to both the LP & HP sides for quicker and efficient evacuation.
- Vacuum pump must be certified to use in A2L refrigerant environment or ATEX certified
- Pull down the system under a vacuum of 500 µm Hg (0.67 mbar) absolute.
- Do not use a megohmmeter or apply power to the compressor while it is under vacuum as this may cause internal damage.

7 – Electrical connections

- Verify that all electrical connections inside the condensing unit are properly fastened as they could have worked loose during transportation.
- Switch off and isolate the main power supply.
- Ensure that power supply can not be switched on during installation.
- All electrical components must be selected per

Instructions

EN60335-1, EN60204 or local applicable standard and unit requirement.

- Refer to wiring diagram for electrical connections details.
- All electrical components must be qualified to use A2L refrigerants and "not source of ignition".**
- Ensure that the power supply corresponds to the unit characteristics and that the power supply is stable (Allowable voltage tolerance $\pm 10\%$ and Allowable frequency tolerance $\pm 2,5$ Hz).
- The power supply cables must be according to unit data for voltage, current and ambient condition. Refer Nameplate for voltage and current information.
- Protect the power supply cable and ensure correct earthing.
- Make the power supply according to local standards and legal requirements.
- The unit is equipped with an electronic controller. Refer to Manual 118U3808 for details.
- The unit is equipped with a main switch with overload protection and short circuit protection. The overload protection is factory preset but it is recommended to check the value before taking the unit in operation. The value for the overload protection can be found in the wiring diagram in the front door of the unit.
- The unit is equipped with high and low pressure switches, which directly cuts the power supply to the compressor in case of activation. Parameters for high and low pressure cut outs are preset in the controller, adapted to the compressor installed in the unit.
- P02 version models (OP-xxxxxxxP02E) are equipped with Electronic circuit board to operate the Liquid injection Electronic Expansion Valve (Module B Plus). Refer to section "Module B Plus User Guide" of this manual.
- Optyma™ Plus condensing unit starting frequency need to be limited for reciprocating compressors.
 - Without starting capacitor 5 starts per hour maximum.
 - With starting capacitor 10 starts per hour maximum.

Optyma™ Plus units are qualified with R1234yf, R454C & R455A. All precaution and safety measure to be taken care before and after installation.

- All components should be compatible to use with specified refrigerants according to Optyma™ Plus condensing units codes. Refer Annex A
- In order to avoid electric arc between hermetic connector pins, compressor must not start or electrical tests such as dielectric strength must not be performed while the refrigerating system is under vacuum.
- Optyma™ Plus condensing units have pre ventilation via condenser fan prior to compressor starting (30 seconds).
- Danfoss always recommend to main IP54 electrical box. In case of any damage to rubber gasket (shown below), customer should replace immediately.
- Compressor has Internal overload protector (OLP). Its will protect compressor pressure going beyond 32 bar pressure.



- No valves and detachable joints shall be located in areas accessible to the general public except when they comply with EN 16084
- Refrigerant piping shall be protected or enclosed to avoid damage.
- Field piping should be installed such that it will be free from corrosive or salty environment to avoid corrosion in copper /Aluminum piping.
- In case of fire incidence, pressure increases due to increasing in temperature at receiver. Hence it is very important to install the PRV.
- For codes 114X34-- and 114X44--, Door limiting switch provided for safety purpose. Don't remove or change the connection.

- Do not put liquid refrigerant through suction line.
- It is not allowed to mix additives with the oil and/or refrigerant.
- When charging A2L refrigerant make sure that the charging area is well ventilated.
- The Liquid receiver is fitted with Rotolock Valve for service purpose. As a factory setting, the valve will be in completely OPEN position. During maintenance and Pump down, the Valve must be Rotated in Clockwise direction until it is in completely CLOSED position.
- Suction, Liquid valves and Receiver Rotolock valves as Schrader port for service operation like Gas Charging, pressure measurement.

10 – Setting the electronic controller

	Change controller parameter o37 to 1 in case of SPPR (Supply monitoring relay) retrofit. In case you add the SPPR option to protect the compressor please change the setting o37 from 0 to 1
	For P02 version models (OP xxxxxxxxP02E), the o30 values are only 19=R404A / 40=R448A / 41=R449A / 51=R454C / 52 = R455A in controller

Fluid Group	Refrigerant	Parameter (o61*)
A2L	R455A & R454C	LLZ013, LLZ015, LLZ018, LLZ024 & LLZ034 = 19
		MLZ058 & MLZ076 = 18
A1	R404A/R507, R452A, R448A & R449A	LLZ013 = 43 LLZ015 = 44 LLZ018 = 45 LLZ024 = 39 LLZ034 = 40 MLZ058 = 37 MLZ076 = 38

* Refer Optyma™ plus controller installation – User manual (BC08728642552802)

- The unit is equipped with an electronic controller which is factory programmed with parameters for use with the actual unit. Refer to Manual 118U3808 for details.
- By default, the electronic controller display shows the temperature value for the suction pressure in °C. To show the temperature value for the condensing pressure, push the lower button Annex A; Picture 3.
- Remove controller terminal DI1 (room thermostat input) to avoid any unwanted compressor start. Put it back after settings been done.

The electronic controller is factory preset for R404A / R449A / R452A / R134a / R454C / R1234yf depending on the model of compressor mounted and application (Refer Optyma™ Controller installation manual 118U3808). If another refrigerant is used, the refrigerant setting must be changed.

- Push the upper button for a couple of seconds. The column with parameter codes appears.
- Parameter r12 must be set to 0 before (software main switch= off).
- Push the upper or lower button to find parameter code o30.
- Push the middle button until the value for this parameter is shown.
- Push the upper or lower button to select the new

8 – Safety

	Electrical box door should be in closed condition before connecting to power supply.
	Discharge tube temperature will go upto 120°C during unit running condition.
	Recommended to install PRV inside unit and release of refrigerant should routed to atmosphere directly.
	Optyma plus unit codes 114X34-- and 114X44--, High pressure switch fitted after receiver, If the Rotolock valves are closed during the pump down cycle, the HP switch will not trip.

Unit has liquid receiver with an Adapter Plug with 3/8" NPT connection. Installer/end user can select various options as mentioned in EN378-2 : 2016 Article 6.2.2.3

- The unit/installation into which the condensing unit is mounted/integrated, must be in accordance with the PED.
- Beware of extremely hot and cold components.
- Beware of moving components. Power supply should be disconnected while servicing.
- As per EU F-gas regulation, R1234yf, R454C & R455A are considered as A2L refrigerant.

9 – Filling the system

- Never start the compressor under vacuum. Keep the compressor switched off.
- Use only the refrigerant for which the unit is designed for.
- Before filling the refrigerant into the Optyma™ Plus condensing unit wear appropriate PPEs (Personal Protective Equipments).
- If additional oil is required please refer to the compressors label for type of oil. Check the Compressor application guideline for minimum oil level limit before refilling.
- For glide refrigerants such as R454C, R455A, R448A, R449A, R452A use liquid valve in the refrigerant cylinder to charge.
- Fill the refrigerant in liquid phase into the condenser or liquid receiver. Ensure a slow charging of the system to 4 – 5 bar for R404A/R507, R407A, R407F, R448A/R449A, R452A, R454C, R455A and approx. 2 bar for R134a, R513A & R1234yf.
- The remaining charge is done until the installation has reached a level of stable nominal condition during operation.
- Never leave the filling cylinder connected to the circuit.

Instructions

value: 3 = R134a.17 = R507. 19 = R404A. 20 = R407C. 21 = R407A. 36 = R513A. 37 = R407F. 40 = R448A. 41 = R449A. 42 = R452A. 39 = R1234yf. 51 = R454C. 52 = R455A

- Push the middle button to confirm the selected value.
- Push the upper or lower button to find parameter code r84 (r84 = Maximum allowable discharge temperature).
- Push the middle button, default maximum discharge temperature is 125°C
- If customer want to increase the valve, push the upper button to select the new value: 130°C. Push middle button to confirm the selected value.
- Maximum allowable discharge temperature (r84) should not exceed 130 °C

The Optyma Plus 114X33YY and 114X43YY units is equipped with EC Fan motor. Optyma Plus controller parameter F17 is modified to 2 for this, to activate the 0-10V fan speed control output. As a factory setting, the max. fan speed parameter F19 is set to 80%, to limit fan speed and noise emissions in residential areas. Installers can increase this max. speed up to 100%, if the emitted noise is not a constraint. Only for P02 version models, the Digital input, DI2 from the controller will be connected to the Module B+. This will indicate the Alarm, that stops the Compressor running in case of Module B+ failure. The Controller Parameter must o37 must be set to 1.

The speed variation of the EC fan motor will be controlled by the Optyma Plus controller, by measuring the difference between the Ambient Temperature and Saturated Condensing Temperature (Dew). Lesser the difference, higher the speed. The default factory set will be 8K. The adjustable range will be 2-20 K. To adjust, from the home screen of the Optyma controller (showing saturated suction Temperature), press the middle button and vary the value with upper or lower key.

11 – Verification before commissioning

	Use safety devices such as safety pressure switch and mechanical relief valve (not supplied) in compliance with both generally and locally applicable regulations and safety standards. Ensure that they are operational and properly set.
	Check that the settings of high-pressure switches and relief valves don't exceed the maximum service pressure of any system component.

- Before starting condensing unit ensure receiver valves and ball valve are completely open.
- Verify that all electrical connections inside the condensing unit are properly fastened as they could have worked loose during transportation.
- When a crankcase heater is required, the unit must be energized at least 12 hours before initial start-up and start-up after prolonged shutdown for belt type crankcase heaters.
- Crankcase heater must be firmly fixed with compressor shell. Ensure that it does not fall down and energizes in air.
- Electrical panel door must be firmly closed using the knob in door panel.
- All interconnecting tubes with (liquid and suction) Optyma™ Plus condensing unit must be sized properly depending upon the evaporator location.
- Pressure drop in the suction and liquid line pipes must be evaluated as per evaporator location

and distance (refer coolselector2).

- Optyma™ Plus condensing units suction / discharge pressure must be within the operating envelope, never operate condensing unit suction pressure below absolute pressure (vacuum).
- The unit is equipped with a main switch with overload protection and short circuit protection. Overload protection is preset from factory, but it is recommended to check the value before taking the unit in operation. The overload protection value can be found in the wiring diagram in the unit front door.
- Check if discharge temperature sensor is firm and has proper contact with discharge pipe.
- Ensure that you have read the installation guideline that is delivered with the condensing unit
- Only use the correct refrigerant(s) as detailed on the data plate
- Check compressor oil level
- Check that all service valves are open
- Ensure the high pressure transmitter is open to the system
- Check all mechanical connections are tight
- Check all electrical overload settings are correct

12 – Start-up

- Never start the unit when no refrigerant is charged.
- All service valves must be in the open position.
- Rotalock valve on the receiver should be completely open. Turn anticlockwise direction to open completely open
- Check compliance between unit and power supply.
- Check that the crankcase heater is working.
- Check that the fan can rotate freely.
- Check that the protection sheet has been removed from the backside of condenser.
- Balance the HP/LP pressure.
- Energize the unit. Condenser fan must start promptly and after 30 seconds of time delay the compressor starts (pre ventilation).
- Eventual reverse rotation of a 3-phase compressor can be detected by following phenomena; the compressor doesn't build up pressure, it has abnormally high sound level and abnormally low power consumption. In such case, shut down the unit immediately and connect the phases to their proper terminals.
- If the rotation direction is correct the low pressure indication on the controller (or low pressure gauge) shall show a declining pressure and the high pressure indication (or high pressure gauge) shall show an increasing pressure (only during startup).

13 – Check with running unit

- Check the fan rotation direction. Air must flow from the condenser towards the fan.
- Check current drawn and voltage.
- Check suction superheat to reduce risk of slugging.
- When a compressor sight glass is provided observe the oil level at start and during operation to confirm that the oil level remains visible.
- Respect the operating limits.
- Optyma™ Plus condensing units are designed to operate upto 43 degree Celsius. During normal operation or peak operation saturated dew point condensing temperature not to exceed corresponding to 63 deg Celsius for R404A/ R507, R448A, R449A, R452A, R454C, R455A. Saturated dew point condensing temperature not to exceed corresponding to 65 deg Celsius

for R134a, R513A & R1234yf.

- Check all tubes for abnormal vibration. Movements in excess of 0.15 mm require corrective measures such as tube brackets.
- When needed, additional refrigerant in liquid phase may be added in the low-pressure side as far as possible from the compressor. The compressor must be operating during this process.
- Do not overcharge the system.
- Follow the local regulations for restoring the refrigerant from unit.
- Never release refrigerant to atmosphere.
- Before leaving the installation site, carry out a general installation inspection regarding cleanliness, noise and leak detection.
- Record type and amount of refrigerant charge as well as operating conditions as a reference for future inspections.
- Check suction & discharge pressure and temperature.
- Check refrigerant charge and running currents of motors to ensure correct operation .
- Check compressor suction superheat to reduce risk of liquid slugging.
- Allow the system to run for 3 – 4 hours. Check compressor oil level and top up with the correct oil type as identified on the data plate of the unit and compressor.
- Recheck the compressor oil level again after 24 hours operation.
- Carry out final leak test and ensure all covers are fitted and all screws are fastened.
- Complete refrigerant labelling to comply with local standard
- Scroll Compressors are allowed to Operate at maximum of 12 Start/Stop cycles per hour.
- Reciprocating Compressors are allowed to Operate at maximum of 10 Start/Stop cycles per hour.
- Ensure maintenance is carried out in accordance with the installation instructions.

14 – Emergency running without controller

In case of controller failure, the condensing unit can still be operated when the controller standard wiring is modified into a temporary wiring as described below.

	This modification may be done by authorized electricians only. Country legislations have to be followed.
	Disconnect the condensing unit from power supply (turn hardware main switch off)
	The controller must be exchanged as soon as possible to avoid any lifetime reduction.

- Contact of room thermostat at 24 - 25(i.e. DI1) must be possible to switch 250VAC.
- Remove wire 22 (safety input DI3) and wire 24 (room thermostat DI1) and put them together with an insulated 250 Vac 10mm² terminal bridge.
- Remove wire 25 (room thermostat DI1) and wire 11 (compressor supply) and put them together with an insulated 250VAC 10mm² terminal bridge.
- Remove wire 6 and connect it with terminal bridge for wire 11 and 25. A fan pressure switch or fan speed controller can be connected in series to wire 6.
- Remove wire 14 (crankcase heater) and connect it to the compressor contactor terminal 22.

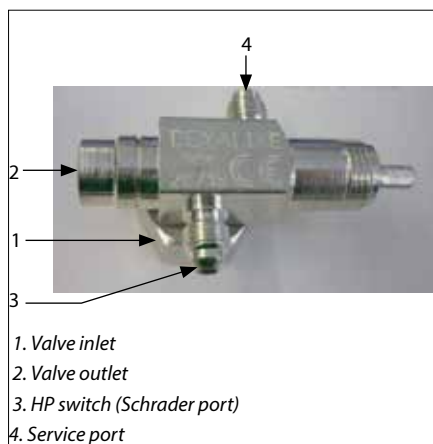
Instructions

- Remove wire 12 (supply crankcase heater), extend this wire by using an 250 Vac 10mm² terminal bridge and 1,0mm² brown cable and connect it to compressor contactor terminal 21.
- Remove the large terminal block from the controller terminals 10 to 19.
- Connect the condensing unit to power supply (turn hardware main switch on).
- For 114X33YY and 114X43YY unit with EC Fan motor, Open the fan motor terminal box and connect the 0-10V fan speed input to the 10V supply terminal

15 – Maintenance

	Always switch off the power supply to the condensing unit by turning off the main switch before opening the fan panel
	Internal pressure and surface temperature are dangerous and may cause permanent injury. Maintenance operators and installers require appropriate PPEs, skills, tools to carryout the maintenance activity. Tubing temperature may exceed 100°C and can cause severe burns.
	Ensure that periodic service inspections are performed to the system reliability and as required by local regulations are performed.

to remove moisture and a new filter drier has to be installed. If evacuation of refrigerant has to be done, it shall be done in such a way that no refrigerant can escape to the environment.



1. Valve inlet
 2. Valve outlet
 3. HP switch (Schrader port)
 4. Service port
- Valve Fully Closed (Valve spindle entirely turned clockwise)
 - 1,3 and 4 Connected
 - 2 has not connection to other ports
 - Valve opened some turns (valve spindle somewhere between open & close)
 - 1,2, 3 and 4 Connected
 - Valve Fully Opened (Valve spindle entirely turned anti clockwise)
 - 1,2 and 3 Connected
 - 4 has no connection to other ports

Spindle completely closed



Spindle completely opened



16 – Declaration of incorporation

•Pressure Equipment Directive 2014/68/EU EN 378-2:2016 - Refrigerating systems and Heat Pumps - Safety and environmental requirements-Parts 2: Design, construction, testing, marking and documentation.

Low Voltage Directive 2014/35/EU EN 60335-1:2012 + A11:2014- Household and similar electrical appliances-Safety-Part

1: General requirements-for all below mentioned condensing units.

Eco-design DIRECTIVE 2009/125/ EC, establishing a framework for the setting of Eco-design requirements for energy-related products. REGULATION (EU) 2015/1095, implementing Eco-design Directive 2009/125/EC with regard to Eco-design requirements for professional refrigerated

storage cabinets, blast cabinets, condensing units and process Chiller.

- Condensing unit measurements are made according to standard “EN 13771-2:2017” – Compressor and condensing units for refrigeration-performance testing and test methods- part 2: Condensing units. Eco design declaration; refer Danfoss Coolselector®2 with code number (114X....) to find the declaration.

17 – Warranty

Always transmit the model number and serial number with any claim filed regarding this product. The product warranty may be invalid in following cases:

- Absence of nameplate.
- External modifications, in particular, drilling, welding, broken feet and shock marks.
- Compressor opened or returned unsealed.
- Rust, water or leak detection dye inside the compressor.
- Use of a refrigerant or lubricant not approved by Danfoss.
- Any deviation from recommended instructions pertaining to installation, application or maintenance.
- Use in mobile applications.
- Use in explosive atmospheric environment.
- No model and serial number transmitted with the warranty claim.

18 – Disposal



Danfoss recommends that condensing units and oil should be recycled by a suitable company at its site.

To prevent system related problems, following periodic maintenance is recommended:

- Verify that safety devices are operational and properly set.
- Ensure that the system is leak tight.
- Check the compressor current drawn.
- Confirm that the system is operating in a way consistent with previous maintenance records and ambient conditions.
- Check that all electrical connections are still adequately fastened.
- Keep the unit clean and verify the absence of rust and oxidation on the unit components, tubes and electrical connections.
- Micro channel heat exchanger surface adequately cleaned to avoid clogging.

The condenser must be checked at least once a year for clogging and be cleaned if deemed necessary. Access to the internal side of the condenser takes place through the fan door. Microchannel coils tend to accumulate dirt on the surface rather than inside, which makes them easier to clean than fin-&-tube coils.

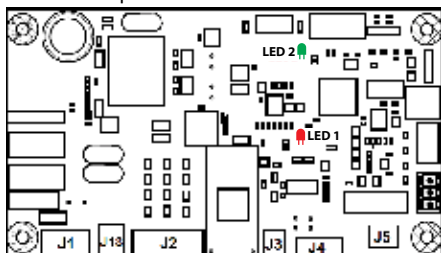
- Switch off the power supply to the condensing unit by turning off the main switch before opening the fan panel.
- All electrical equipments, PPEs, tool must be compatible and approved to use with A2L refrigerants like R454C, R455A & R1234yf.
- Remove surface dirt, leaves, fibres, etc. with a vacuum cleaner, equipped with a brush or other soft attachment. Alternatively, blow compressed air through the coil from the inside out, and brush with a soft bristle. Do not use a wire brush. Do not impact or scrape the coil with the vacuum tube or air nozzle.
- Check if openings in partition panel and base plate are free for pre-ventilation.
- Before closing the fan door, turn the fan blade in a safe position, to avoid that the door hits the fan.

If the refrigerant system has been opened, the system has to be flushed with dry air or nitrogen

Instructions

19 - Module B Plus - User guide

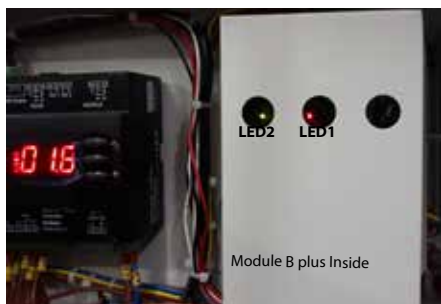
Module B plus is an electronic circuit board used in P02 version models for automatic liquid injection into compressor scrolls set using an electronic expansion valve.



Module B Plus

Module B plus is covered by touch protection cover as Picture 6.

⚠ Do not remove touch protection cover unless required. Switch of the unit before removing this cover.



Picture 6

Application

Module B Plus controls liquid injection, and it also monitors the following parameters: Discharge gas temperature, phase sequence and phase failure.

Functional description

• Liquid injection

- Module B Plus can control discharge gas temperature. The default set point is 125 °C, this is required to run the condensing unit within safe envelope.

⚠ Do not change this set point.

- When compressor stops the liquid injection

valve will be closed within 6 seconds.

• Discharge gas temperature overheat protection

- Discharge gas temperature sensor from Module B Plus can detect discharge gas temperature within the range -50 to 180°C, temperature measurement accuracy $\pm 0.5^\circ\text{C}$. Discharge sensor is installed within 150mm from compressor discharge port.

- If the discharge gas temperature is higher than Overheat Trigger Point (set point + 10 K) within 1 second, alarm relay (J5) will open. This status is named as DGT Overheat Static referring to Table 1. If the discharge gas temperature lower than Reset Point (Set Point -15 °C) continuously for 5 minutes, the alarm relay (J5) will close. This 5 minutes delay status is named as DGT Reset Delay.

- If the discharge gas temperature overheat more than 5 times within 1 hour, alarm relay (J5) locks on open status and only can be reset by resetting Module B Plus power supply manually (switch-off the unit and switch-on again after some time). This status is named as DGT Overheat Lock, refer table 1 for error identification.

- If discharge gas temperature sensor is malfunction, i.e. Sensor Open, Sensor Short circuit or Out of Range, alarm relay (J5) locks on open status too, refer table 1 for error identification.

• Phase protection

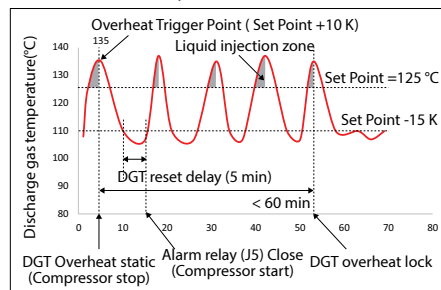
- Phase sequence and missing phase detection will only be performed every time the compressor was powered on. If a wrong phase status Phase Loss or Phase Reverse detected, within 4.5s to 5s, alarm relay (J5) will open and lock on open status. This lock on open status only can be reset by resetting Module B Plus power supply manually, refer table 1 for error identification.

• User interface

- Module B Plus powers on, power LED 1 will be solid red all the time. When the Module is powered off, power LED 1 will be off. If Module

B Plus powers on and has no error, status LED 2 will be solid green on. Refer picture 6 for LED 1 and LED 2 location on module B plus.

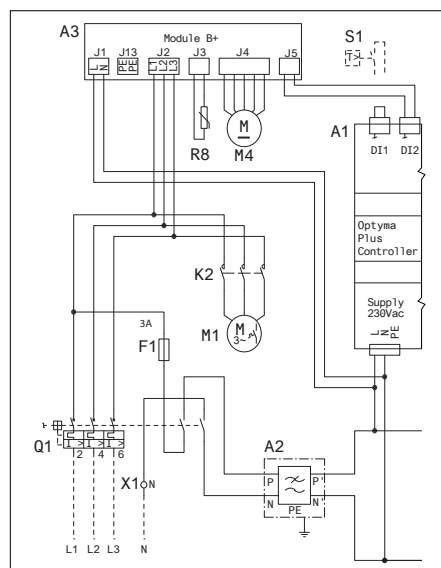
- If Module B Plus powers on, and detects an error, status LED 2 will be yellow and red blinking one second alternately. Detail blink code see table 1.



Picture 7.

• Module B plus communication with Optyma™ Plus controller.

- When alarm relay (J5) is open, signal is communicated to Optyma controller digital input 2 (DI2), which enables safety alarm (A97) in Optyma™ plus controller and power supply to compressor will be stopped immediately.



Model B Plus wiring diagram

Category	Yellow Blink Times	Red Blink Times	Error	Description	Action
Discharge gas temperature	1	1	DGT Overheat static/ DGT Reset Delay	Discharge gas temperature is higher than compressor stop trip point	Check if Optyma Controller shows safety alarm (A97). If yes, wait till it gets resolved automatically. If this error is observed frequently, check if unit is running in recommended envelope.
		2	DGT Overheat Lock	DGT Overheat Static occurs 5 times within 1 hour	Reset Module B Plus supply manually (switch-off the unit and switch-on again after some time).
		3	DGT out of range	DGT is out of normal range (-50 ... 180°C)	Check if discharge gas temperature sensor is mounted properly on discharge line. Check discharge gas temperature on Optyma™ Plus controller parameter U27 (should be within -50 ... 180°C).
		4	DGT Sensor Open / DGT Sensor Short	Discharge gas temperature sensor open/short circuit	Check discharge temperature sensor and connection.
Triple Phase	2	1	Phase Loss	One phase signal loss	Check 3-Phase power supply (J2) to Module B Plus, if one of the 3 phases is missing. If yes, do correct power supply connection and reset Module B Plus manually (switch-off the unit and switch-on again after some time).
		2	Phase Reverse	Incorrect phase connection	Check 3-Phase power supply (J2) to Module B Plus, if 3 phases are in correct sequence. If not, do correct power supply connection in sequence and reset Module B Plus manually (switch-off the unit and switch-on again after some time).

Table 1: Error Blink Code (LED 2 Yellow -Red Blink code)

Anleitung (Deutsch)

Optyma™ Plus

OP-MPS, OP-MPT, OP-LPV, OP-LPK und OP-MPI



Der Anschlusskasten des Optyma™ Plus hat die Schutzart IP54, um eine schnelle Migration des A2L-Kältemittels zu vermeiden. Die Abdichtung muss gewährleistet bleiben, und Schäden an der Abdichtung müssen entsprechend repariert werden. (Siehe Abschnitt 8 – Sicherheit)

Die Tür des Anschlusskastens muss während des Betriebs und nach jedem Service/regelmäßiger Wartung immer geschlossen sein.
Montage und Wartung der Verflüssigungssätze dürfen ausschließlich durch qualifiziertes Fachpersonal erfolgen. Befolgen Sie diese Anleitung sowie die allgemein gültigen Regeln der Technik für Einbau, Inbetriebnahme, Wartung und Instandhaltung von kältetechnischen Anlagen.
Der Verflüssigungssatz darf nur für den vorgesehenen Zweck und im entsprechenden Anwendungsbereich gemäß der Anleitung eingesetzt werden. Zu verwendendes Kältemittel gemäß Spezifikation für den Typ.
Die Bestimmungen gemäß EN378 und alle anderen in Ihrem Land geltenden Sicherheitsvorschriften müssen unbedingt eingehalten werden.
Bei Lieferung ist der Verflüssigungssatz mit gasförmigem Stickstoff gefüllt, der unter einem Druck von 2 bar steht. In diesem Zustand darf der Verflüssigungssatz nicht angeschlossen und betrieben werden. Näheres hierzu erfahren Sie im Abschnitt „Montage“.
Der Verflüssigungssatz muss in vertikaler Position montiert werden (maximale Abweichung von der Senkrechten: 15 °).
Verflüssigungssätze können mit A2L-Kältemitteln verwendet werden. Bei Installation und Wartung ist besondere Vorsicht geboten.
Bei A2L-Kältemitteln müssen alle Komponenten des Kältekreislaufs für A2L zugelassen sein. Beispiel: Verdampfer und Expansionsventil.
Für Typen der PED-Kategorie I : Das Sicherheitsventil muss während der Installation vor Ort im Kältemittelsystem installiert werden. Das Sicherheitsventil muss am Sammler installiert werden.
Für Typen der PED-Kategorie II : Das Sicherheitsventil ist werkseitig mit einem Verflüssigungssatz am Flüssigkeitssammler mit einer Druckeinstellung von 34,5 ± 1 bar ausgestattet. (Siehe Abschnitt 3.1 – Sicherheitsventil)
Der Betrieb des Empfänger-Rotolock-Ventils sollte von einem geschulten/fachkundigen Bediener durchgeführt werden. Stellen Sie sicher, dass alle Rotolock-Ventile während des CU-Betriebs geöffnet sind.

Relevante Normen und Richtlinien

- EN 378-2:2016:** Kälteanlagen und Wärmepumpen – Sicherheitstechnische und umweltrelevante Anforderungen
 - EN60335-1:** Sicherheit elektrischer Geräte für den Hausgebrauch und ähnliche Zwecke – Teil 1: Allgemeine Anforderungen
 - EN IEC 61000-6-8:202:** Elektromagnetische Verträglichkeit (EMV) Teil 6-8: Allgemeine Normen
 - EN 60335-2-40:** Sicherheit elektrischer Geräte für den Hausgebrauch und ähnliche Zwecke
 - EN 60335-2-80:** Sicherheit elektrischer Geräte für den Hausgebrauch und ähnliche Zwecke
 - Niederspannungsrichtlinie 2014/35/EU**
 - Maschinenrichtlinie 2006/42/EG**
 - Druckgeräterichtlinie (Pressure Equipment Directive) (DGRL(PED)) 2014/68/EU**
 - RoHS-Richtlinie 2011/65/EU**
 - WEEE-Richtlinie 2012/19/EU**
- (Sonstige vor Ort geltende Normen)

1. Einführung

Diese Anleitung bezieht sich auf die Verflüssigungssätze der Produktreihe Optyma™ Plus OP-MPS, OP-MPT, OP-LPV, OP-LPK und OP-MPI. Sie enthält die erforderlichen Angaben für eine sichere und ordnungsgemäße Nutzung dieser Produkte.

Der Verflüssigungssatz enthält Folgendes:

- Microchannel-Wärmetauscher
- Hubkolben- oder Scrollverdichter
- Sammler mit Absperrventil
- Kugelhähne mit Schraderventil
- Schauglas (Bördelanschlüsse)
- Saug- und Heißgasdruckwandler
- Hoch- und Niederdruckschalter
- Filtertrockner (Bördelanschlüsse)
- Elektronischer Regler
- Wartungsschalter (Hauptschalter mit Überlastschutz)
- Lüfter- und Verdichterkondensatoren
- Verdichterschütz
- Robustes, wetterfestes Gehäuse
- IP54, vollständig vorverdrahtete Schalttafel
- AC-Lüftermotor für H1- und H2-Typen
- EC-Lüftermotor für H3- und H4-Typen
- Bei Typen der PED-Kategorie II ist das Sicherheitsventil eingebaut (Technisches Datenblatt – Anhang – A)
- Komponenten sind ggf. mit Schraderverschluss ausgestattet
- Flüssigkeitsnacheinspritzregler (Modul B Plus)*
- Elektronisches Expansionsventil (ETS6) für Flüssigkeitsnacheinspritzung*

*Nur für Typen der Version P02

2. Handhabung und Lagerung

- Löten Sie nicht, solange der Verflüssigungssatz unter Druck steht.
- A2L-Kältemittel sind schwerer als Luft. Aus diesem Grunde empfiehlt Danfoss die Installation über Bodenniveau. Siehe Anhang – A.
- Es wird empfohlen, die Verpackung erst am endgültigen Montageort der Einheit zu öffnen.
- Gehen Sie sorgfältig mit dem Gerät um. Die Verpackung gestattet den Einsatz eines Gabelstaplers oder Hubwagens. Verwenden Sie ausschließlich geeignete und sichere Hebezeuge.
- Der Verflüssigungssatz darf nur aufrecht stehend transportiert und gelagert werden.
- Zulässige Lagertemperatur: -35 °C bis 50 °C.
- Die Verpackung darf weder Regen, noch ätzenden Atmosphären ausgesetzt werden.
- Vergewissern Sie sich nach dem Auspacken, dass der Verflüssigungssatz vollständig und unbeschädigt ist.

3. Sicherheitsvorkehrungen bei der Installation

	Nicht löten, solange die Verflüssigerinheit unter Druck steht.
	Achten Sie bei der Positionierung des Verflüssigungssatzes darauf, dass keine Durchgänge, Türen, Fenster oder Ähnliches blockiert werden.
	A2L-Kältemittel sind schwerer als Luft. Der Verflüssigungssatz muss über der Bodenhöhe installiert werden, um eine gute Belüftung des Verdichterraums zu gewährleisten.



Sicherheitsventil (PRV): Bei Typen der PED-Kategorie II wird das Sicherheitsventil vorinstalliert mitgeliefert. Bei Typen der PED-Kategorie I muss das Sicherheitsventil während der Installation vor Ort montiert werden.

- Sorgen Sie im Bereich um und unter dem Gerät für ausreichend Platz, damit die Luft ordnungsgemäß zirkulieren kann und die Türen sich öffnen lassen. Siehe Anhang – A bezüglich des Mindestabstands zu Wänden.
- Installieren Sie den Verflüssigungssatz NICHT an Orten, die täglich längerer Sonneneinstrahlung ausgesetzt sind.
- Installieren Sie den Verflüssigungssatz NICHT in aggressiven oder staubigen Umgebungen.
- Sorgen Sie für ein Fundament mit horizontaler Oberfläche (weniger als 3° Gefälle), das solide und stabil genug ist, um das gesamte Gewicht des Verflüssigungssatzes tragen zu können, Vibrationen aufzunehmen (mithilfe von Gummifüßen, Polstern oder Stützen) und Störungen auszuschalten.
- Die Umgebungstemperatur des Verflüssigungssatzes darf im Stillstand 63 °C nicht überschreiten.
- Stellen Sie sicher, dass die Versorgungsspannung den Eigenschaften des Verflüssigungssatzes entspricht (siehe Typenschild).
- Verwenden Sie bei der Installation der Verflüssigungssätze für die Kältemittel R454C, R455A und R1234yf nur Teile, die speziell für A2L-Kältemittel vorgesehen sind und die zuvor nicht mit anderen HFO-, FKW- oder HFCKW-Kältemitteln eingesetzt wurden.

Anleitung

- Verwenden Sie saubere und trockene für Kältemittel geeignete Kupfer-/Aluminiumrohre in geeigneter Stärke und eine Silberlegierung als Lötmaterial.
- Verwenden Sie saubere und trockene Anlagenkomponenten.
- Die an den Verdichter angeschlossene Saugleitung muss in alle 3 Dimensionen flexibel sein, um Vibrationen zu dämpfen. Darüber hinaus muss die Verrohrung so erfolgen, dass der Ölrücklauf zum Verdichter sichergestellt ist und dass das Risiko von Flüssigkeitsschlägen im Verdichter ausgeschlossen ist.
- Der Verflüssigungssatz Optyma verfügt über ein Saug- und Flüssigkeits-Serviceventil mit Manometeranschluss für den Zugriff bei Wartungen.
- Die Optyma Plus-Gerätecodes 114X34-- und 114X44-- verfügen über zwei Sammler in Reihe mit Ventilen. Stellen Sie vor dem Start sicher, dass beide Ventile geöffnet sind.

3.1 – Sicherheitsventil (PRV)

	Bei den Verflüssigungssätzen von Optyma™ Plus, die unter die Druckgeräterichtlinie (PED) der Kategorie II fallen, ist das Sicherheitsventil werkseitig mit einer Voreinstellung von 34,5 ±1 bar ausgestattet. (Siehe technische Daten für die PED-Kategorie in Anhang A).
	Bei den Verflüssigungssätzen von Optyma™ Plus, die unter die Druckgeräterichtlinie (PED) der Kategorie I fallen, müssen Sicherheitsventile eingebaut werden (siehe technische Daten für die PED-Kategorie in Anhang A).
	Das Sicherheitsventil wird als Schadensbegrenzungsvorrichtung verwendet, nicht als Druckbegrenzungsvorrichtung.

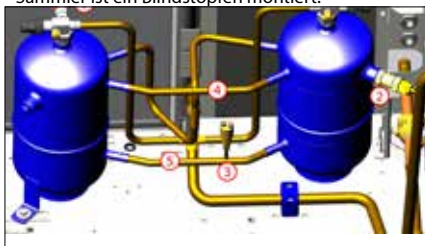
- Das Sicherheitsventil wird am 3/8"-NPT-Anschluss des Flüssigkeitssammlers installiert. (Ersatzteil-Sicherheitsventil-Bestellnummer siehe Coolelector2). Verwenden Sie für die Installation des Sicherheitsventils Loctite 554.
- Drehmoment: 40Nm (vorgegebenes Drehmoment nicht überschreiten)



- Der Monteur muss darauf achten, wohin ggf. das ausgetretene Kältemittel ausgeblasen wird. Danfoss empfiehlt, das Kältemittel vom Verflüssigungssatz weg auszublasen.
- Es wird empfohlen, das Sicherheitsventil nach dem Abblasefall zu tauschen. Kältemittelwechsel
- Entfernen Sie nicht die Verplombung und versuchen Sie nicht, das Ventil zurückzusetzen.
- Die Ventile müssen vertikal oder horizontal installiert werden. Stellen Sie sicher, dass das Sicherheitsventil über dem Flüssigkeitsstand des Systems installiert wird.
- Stellen Sie sicher, dass das Kältemittel sicher und direkt in die Atmosphäre abgegeben wird.
- Für den Fall einer Gefahr wurde ein zusätzliches Ersatzteilset entwickelt, um das abgeblasene Kältemittel aufzufangen. Das Set muss mit geeigneter Leitungsführung verlegt werden, damit das Kältemittel ggf. sicher abgeblasen werden kann. (Siehe Abbildung unten.)



- Das Sicherheitsventil (PRV) sollte nicht am Serviceventil installiert werden.
- Tauschen Sie das Sicherheitsventil (PRV) nach einer Entleerung oder dem Abblasen des Systems aus.
- Lösbare Verbindungen und Ventile sollten nicht offen zugänglich sein. Alle Lötverbindungen müssen EN 14276-2 und alle sonstigen Dauerverbindungen müssen EN 16084 konform sein.
- Die Optyma Plus-Gerätecodes 114X34-- und 114X44-- verfügen über ein Sicherheitsventil (PRV), das an einem der Sammler montiert ist. Im anderen Sammler ist ein Blindstopfen montiert.



1. HP-Drucktransmitter
2. Sicherheitsventil
3. ACB-Druckschalter
4. Gasausgleichsanschluss
5. Flüssigkeitsausgleichsanschluss

4. Installation

- Die Installation/Wartung der Verflüssigungssätze Optyma™ Plus muss durch qualifiziertes Fachpersonal gemäß den geltenden lokalen und internationalen Vorschriften unter ordnungsgemäßer Verwendung der persönlichen Schutzausrüstung erfolgen.
- Die Anlage, in die der Verflüssigungssatz eingebaut wird, muss der Druckgeräterichtlinie (DGRL) 2014/68/EU entsprechen. Der Verflüssigungssatz selbst ist kein „Gerät“ im Sinne dieser Richtlinie.
- Die Einheit muss von Beginn an sicher installiert sein und auf festem Boden stehen. Siehe Anhang – A.
- Es wird empfohlen, den Verflüssigungssatz auf Montagegummis oder Schwingungsdämpfern (nicht im Lieferumfang enthalten) zu montieren.
- Es ist möglich, mehrere Verflüssigungssätze übereinander zu stapeln.

Einheit	Maximale Stapelhöhe
Gehäuse 1 (Bestell-Nr. 114X31-- oder 114X41--)	3
Gehäuse 2 (Bestell-Nr. 114X32-- oder 114X42--)	2
Gehäuse 3 (Bestell-Nr. 114X33-- oder 114X43--)	2
Gehäuse 4 (Bestell-Nr. 114X34-- oder 114X44--)	2

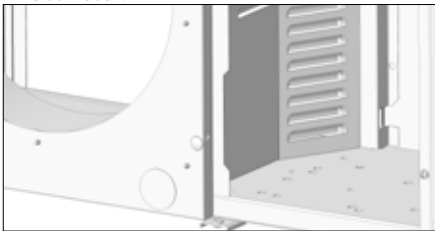
- Bei der Stapelmontage muss der oberste Verflüssigungssatz an der Wand befestigt werden (siehe Abbildung 2).
- Lassen Sie die Stickstofffüllung langsam durch den Schraderanschluss ab.
- Schließen Sie den Verflüssigungssatz möglichst schnell an die Anlage an, um eine Kontamination des Öls mit Umgebungsfeuchtigkeit zu vermeiden.
- Verhindern Sie, dass beim Zuschneiden der Rohrleitungen Fremdkörper in die Anlage eindringen. Bohren Sie niemals Löcher, deren Grate nicht entfernt werden können.
- Lassen Sie beim Löten größte Vorsicht walten. Verwenden Sie nur modernste Lötverfahren und lüften Sie die Rohrleitungen mit gasförmigem Stickstoff.

- Schließen Sie die erforderlichen Sicherheits- und Steuergeräte an. Falls der Schraderanschluss verwendet wird, entfernen Sie die Blindkappe.
- Es wird empfohlen, die Saugleitung vom Verdampfer bis zum Verdichtereintritt mit einer 19 mm dicken Isolierung zu dämmen.
- Stellen Sie sicher, dass sich kein Kältemittel im Verflüssigungssatz befindet oder Beschädigungen im Inneren vorhanden sind und dass die Rohre keine Risse aufweisen.
- Stellen Sie sicher, dass alle Komponenten im Schaltkasten gegen Überlast geschützt und laut ihrem jeweiligen Hersteller "keine Zündquelle" für zugelassene Kältemittel sind.
- Die Feldverdrahtung darf nur durch IP65-Kabelverschraubungen und Kabeleinführungsplatte verlegt werden. Das Bohren oder Durchstechen der Schalttafel an den Seiten für zusätzliche Kabelführungen ist strengstens untersagt.
- Bei Feldverdrahtung muss nur das entsprechende Loch durchstoßen werden. Kein perforiertes Loch darf ohne Kabel verbleiben. Wir versehentlich ein Loch perforiert, muss die gesamte Stopfbuchsenplatte ausgetauscht werden.

118U5258 – Ersatzteil Kabelverschraubung

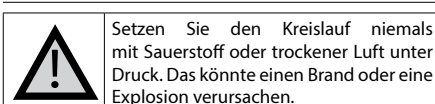


- Die Trennplatte und die Grundplatte verfügen über spezielle Öffnungen für die Vorbelüftung. Die Öffnungen keinesfalls abdichten, blockieren oder verschließen.



- Um bei unerwarteten Leckagen eine Kältemittelkonzentration im Verdichtergehäuse zu vermeiden, startet der Lüfter vor dem Verdichter mit einer Einschaltverzögerung von 30 Sekunden für die Verdichter.
- Der Werkstoff für das Kupferrohr muss EN 12735-1 entsprechen. Alle Rohrverbindungen müssen EN 14276-2 entsprechen.
- Bei der Installation vor Ort muss auf Größe und Gewicht geachtet werden. Empfohlener maximaler Abstand für Rohrschellen entsprechend EN 12735-1 und EN 12735-2
- Vor dem Öffnen der Ventile müssen die Rohrleitungen angeschlossen werden, damit das Kältemittel zwischen den Teilen der Kälteanlage zirkulieren kann.

5. Lecksuche



- Benutzen Sie für die Lecksuche keinen Farbstoff.
- Überprüfen Sie die gesamte Anlage auf Dichtigkeit.
- Der maximale Prüfdruck beträgt 25 bar.
- Reparieren Sie entdeckte Lecks und wiederholen Sie dann die Lecksuche.

6. Evakuieren

- Benutzen Sie niemals den Verdichter zur Evakuierung der Anlage.
- Schließen Sie sowohl an die Nieder- als auch an die

Anleitung

- Hochdruckseite eine Vakuumpumpe an, um eine schnellere und effiziente Evakuierung zu erhalten.
- Die Vakuumpumpe muss für den Einsatz mit A2L-Kältemitteln zugelassen oder ATEX-zertifiziert sein.
- Evakuieren Sie die Anlage bis auf einen Absolutwert von 500 µm Hg (0,67 mbar).
- Verwenden Sie während der Evakuierung kein Megohmmeter und legen Sie auch keine Spannung an den Verdichter an, um eine Beschädigung des Verdichters zu vermeiden.

7. Elektrische Anschlüsse

- Vergewissern Sie sich, dass sämtliche elektrischen Anschlüsse innen im Verflüssigungssatz ordnungsgemäß befestigt sind, da sie sich während des Transports möglicherweise gelöst haben.
- Schalten Sie die Spannungsversorgung ab und trennen Sie den Verflüssigungssatz vom Netz.
- Stellen Sie sicher, dass die Spannungsversorgung während der Installation nicht eingeschaltet werden kann.
- Alle elektrischen Komponenten müssen entsprechend EN 60335-1, EN 60204 oder den vor Ort geltenden Normen und Vorschriften für Verflüssigungssätze ausgewählt werden.
- Näheres zu den elektrischen Anschlüssen entnehmen Sie dem Schaltplan.
- Alle elektrischen Komponenten müssen für die Verwendung mit A2L-Kältemitteln zugelassen sein und dürfen "keine Zündquelle" darstellen.**
- Stellen Sie sicher, dass die Versorgungsspannung den Geräteeigenschaften entspricht und dass die Stromversorgung stabil ist (Zulässige Spannungstoleranz $\pm 10\%$ und zulässige Frequenztoleranz $\pm 2,5\text{ Hz}$).
- Die Stromversorgungskabel müssen den Gerätedaten für Spannung, Strom und Umgebungsbedingungen entsprechen. Angaben zu Spannung und Strom finden Sie auf dem Typenschild.
- Schützen Sie das Spannungsversorgungskabel und stellen Sie die ordnungsgemäße Erdung sicher.
- Die Versorgungsspannung muss den Normen und gesetzlichen Vorschriften vor Ort entsprechen.
- Der Verflüssigungssatz ist mit einem elektronischen Regler ausgestattet. Weitere Angaben finden Sie im Handbuch 118U3808.
- Die Einheit ist mit einem Hauptschalter mit Überlast- und Kurzschlusschutz ausgestattet. Den Wert für den Überlastschutz finden Sie im Schaltplan auf der Innenseite der Fronttür am Verflüssigungssatz.
- Das Gerät ist mit Hoch- und Niederdruckschaltern ausgestattet, die bei Aktivierung die Versorgungsspannung des Verdichters direkt unterbrechen. Die Parameter für die Hoch- und Niederdruck-Abschaltung durch den Regler sind im Regler voreingestellt und an den Verdichter in der Anlage angepasst.
- Typen der Version P02 (OP-xxxxxxxP02E) sind mit einer elektronischen Platine zur Regelung des elektronischen Expansionsventils für die Flüssigkeitsnacheinspritzung (Modul B Plus) ausgestattet. Siehe Abschnitt „Benutzerhandbuch Modul B Plus“ in diesem Handbuch.
- Die Starthäufigkeit des Verflüssigungssatzes Optyma™ Plus muss für Hubkolbenverdichter begrenzt werden.
 - Ohne Anlaufkondensator maximal 5 Starts pro Stunde.
 - Mit Anlaufkondensator maximal 10 Starts pro Stunde.

8. Sicherheit

	Die Tür des Schaltkastens muss vor dem Anschluss an die Versorgungsspannung geschlossen sein.
	Die Temperatur des Heißgasrohrs erhöht sich bei laufendem Gerät auf bis zu 120 °C.

	Es wird empfohlen, das Sicherheitsventil in der Einheit zu installieren und das ggf. freizusetzende Kältemittel direkt in die Atmosphäre abzuleiten.
	Optyma plus Gerätecodes 114X34-- und 114X44--, Hochdruckschalter nach Sammler eingebaut, Wenn die Rotolock-Ventile während des Abpumpzyklus geschlossen sind, löst der HP-Schalter nicht aus.

Die Einheit verfügt über einen Flüssigkeitssammler mit 3/8" NPT-Anschlussadapter. Installateure/Endverbraucher können verschiedene Optionen auswählen, entsprechend EN378-2: 2016 Artikel § 6.2.2.3

- Die Einheit/Anlage, in die der Verflüssigungssatz eingebaut/integriert wird, muss der Druckgeräterichtlinie entsprechen.
- Vorsicht vor extrem heißen und kalten Komponenten.
- Achten Sie auf bewegliche Komponenten. Während der Wartung muss die Versorgungsspannung getrennt sein.
- Gemäß der F-Gas-Verordnung der EU gelten R1234yf, R454C und R455A als A2L-Kältemittel. Die Verflüssigungssätze Optyma™ Plus sind für den Betrieb mit R1234yf, R454C und R455A zugelassen. Alle Vorsichtsmaßnahmen und Sicherheitsvorkehrungen müssen vor und nach der Installation eingehalten werden.
- Alle Komponenten müssen mit den für die Verflüssigungssätze Optyma™ Plus zugelassenen Kältemittel kompatibel sein. Siehe Anhang A.
- Um Lichtbögen zwischen Verdichter-Anschlusssteckern zu vermeiden, darf der Verdichter nicht starten und elektrische Prüfungen wie die Spannungsfestigkeit nicht durchgeführt werden, während Vakuum im Kältekreis besteht.
- Die Verflüssigungssätze Optyma™ Plus führen vor dem Verdichterstart eine Vorbelüftung (30 Sekunden) mit dem Verflüssigerlüfter durch.
- Danfoss empfiehlt grundsätzlich die Verwendung eines IP54-Anschlusskastens. Bei Beschädigung der Gummidichtung (siehe unten) muss der Kunde diese sofort austauschen.
- Der Verdichter verfügt über einen internen Überlastschutz (Overload Protector, OLP). Dieser sorgt dafür, dass der Verdichterdruck nicht über 32 bar steigt.



- Ventile und lösbare Verbindungen dürfen sich nicht in offen zugänglichen Bereichen befinden, es sei denn, sie entsprechen EN 16084.
- Kältemittelleitungen müssen geschützt oder ummantelt sein, um Beschädigungen zu vermeiden.
- Die Rohrleitungen vor Ort müssen so verlegt werden, dass sie nicht in einer korrosiven oder salzhaltigen Umgebung liegen, um Korrosion in Kupfer-/Aluminiumrohrleitungen zu vermeiden.
- Bei einem Brand erhöht sich der Druck aufgrund des Temperaturanstiegs am Sammler. Die Installation des Sicherheitsventils ist daher sehr wichtig.
- Bei Code 114X34-- und 114X44-- ist aus Sicherheitsgründen ein Türemschalter vorgesehen. Entfernen oder modifizieren Sie den Anschluss nicht.

9. Füllen der Anlage

- Nehmen Sie den Verdichter niemals unter Vakuum in Betrieb. Lassen Sie den Verdichter ausgeschaltet.
- Verwenden Sie ausschließlich das Kältemittel, auf das

der Verflüssigungssatz ausgelegt ist.

- Tragen Sie geeignete persönliche Schutzausrüstung, bevor Sie das Kältemittel in den Verflüssigungssatz Optyma™ Plus einfüllen.
- Sollte zusätzlich Öl benötigt werden, entnehmen Sie die nötigen Informationen über das erforderliche Öl bitte dem Typenschild des Verdichters. Prüfen Sie vor dem Nachfüllen von Öl die Anwendungshilfe des Verdichters bezüglich des Mindestölstands.
- Verwenden Sie bei Gleitkältemitteln wie R454C, R455A, R448A, R449A, R452A das Flüssigkeitsventil im Kältemittelfüllstutzen.
- Füllen Sie das flüssige Kältemittel in den Verflüssiger oder Sammler. Stellen Sie sicher, dass die Anlage langsam befüllt wird (auf 4 bis 5 bar bei R404A/R507, R407A, R407F, R448A/R449A, R452A, R454C, R455A und auf ca. 2 bar bei R134a, R513A und R1234yf).
- Die Anlage wird dann weiter befüllt, bis die Installation im Betrieb einen stabilen Zustand erreicht hat.
- Lassen Sie den Einfüllstutzen niemals an den Kreislauf angeschlossen.
- Das Kältemittel darf nicht in die Saugleitung gelangen.
- Dem Öl/Kältemittel dürfen keine Zusätze beigemischt werden.
- Stellen Sie beim Befüllen mit A2L-Kältemittel sicher, dass der Befüllungsbereich gut belüftet ist.
- Der Flüssigkeitssammler ist zu Wartungszwecken mit einem Rotolock-Ventil ausgestattet. Ab Werk befindet sich das Ventil in der vollständig OFFENEN Stellung. Während der Wartung und des Pump-down muss das Ventil im Uhrzeigersinn gedreht werden, bis es in der vollständig GESCHLOSSENEN Stellung befindet.
- Saug-, Flüssigkeits- und Sammler-Rotolock-Ventile als Schraderanschluss für Servicebetrieb wie Gasbefüllung, Druckmessung.

10. Einstellen des elektronischen Reglers

	Ändern Sie den Reglerparameter o37 bei Nachrüstung eines SPPR (Spannungsüberwachungsrelais) auf 1. Wenn Sie zum Schutz des Verdichters die Option SPPR hinzufügen, ändern Sie bitte die Einstellung o37 von 0 auf 1.
	Bei Typen der Version P02 (OP-xxxxxxxP02E) sind die o30-Werte nur 19= R404A/40=R448A/41=R449A/51=R454C/52=R455A im Regler

Fluid Gruppe	Kältemittel	Parameter (o61*)
A2L	R455A und R454C	LLZ013, LLZ015, LLZ018, LLZ024 und LLZ034 = 19
		MLZ058 und MLZ076 = 18
A1	R404A/R507, R452A, R448A und R449A	LLZ013 = 43 LLZ015 = 44 LLZ018 = 45 LLZ024 = 39 LLZ034 = 40 MLZ058 = 37 MLZ076 = 38

* Verweis auf die Optyma™ plus Regular Installations- und Bedienungsanleitung (BC08728642552802)

- Der Verflüssigungssatz ist ab Werk mit einem elektronischen Regler ausgestattet, der mit Parametern für den Einsatz in der jeweiligen Anlage programmiert ist. Weitere Angaben finden Sie im Handbuch 118U3808.
- Standardmäßig wird auf dem Display des elektronischen Reglers der Temperaturwert für den Saugdruck in °C angezeigt. Drücken Sie die untere Taste (Anhang A, Abbildung 3), um den Temperaturwert für den Verflüssigungsdruck anzuzeigen.
- Entfernen Sie die Reglerklemme DI1 (Raumthermostateingang), um einen unerwünschten

Anleitung

Start des Verdichters zu vermeiden. Nach Beendigung der Einstellungen wieder anbringen.

Der elektronische Regler ist werksseitig auf R404A, R449A, R452A oder R134a voreingestellt – je nach eingebautem Verdichtertyp und Anwendung (siehe Optyma™ Regler-Installationshandbuch 118U3808). Bei Verwendung eines anderen Kältemittels muss die Kältemittelleinstellung geändert werden.

- Halten Sie die obere Taste einige Sekunden lang gedrückt. Daraufhin wird die Spalte mit den Parametercodes eingeleuchtet.
- Der Parameter r12 muss vor der Änderung auf 0 gesetzt werden (der Software-Hauptschalter ist ausgeschaltet (Off)).
- Drücken Sie die obere oder untere Taste, um zum Parametercode o30 zu navigieren.
- Halten Sie die mittlere Taste gedrückt, bis der Wert für diesen Parameter angezeigt wird.
- Drücken Sie die obere oder untere Taste, um den neuen Wert auszuwählen: 3 = R134a. 17 = R507. 19 = R404A. 20 = R407C. 21 = R407A. 36 = R513A. 37 = R407F. 40 = R448A. 41 = R449A. 42 = R452A. 39 = R1234yf. 51 = R454C. 52 = R455A
- Drücken Sie die mittlere Taste, um den ausgewählten Wert zu bestätigen.
- Drücken Sie die obere oder untere Taste, um zum Parametercode r84 zu navigieren. (r84 = maximal zulässige Heißgastemperatur)
- Drücken Sie die mittlere Taste; standardmäßig beträgt die maximal zulässige Heißgastemperatureinstellung 125 °C.
- Wenn der Kunde den Wert vergrößern möchte, drücken Sie die obere Taste, um den neuen Wert auszuwählen: 130 °C. Drücken Sie die mittlere Taste, um den ausgewählten Wert zu bestätigen.
- Die maximal zulässige Heißgastemperatur (r84) darf 130 °C nicht überschreiten.

Die Optyma Plus 114X33YY und 114X43YY-Einheiten sind mit einem EC-Lüftermotor ausgestattet. Der Optyma Plus-Reglerparameter F17 wird hierfür auf 2 geändert, um den 0-10-V-Ausgang der Lüfterdrehzahlregelung zu aktivieren. Als Werkseinstellung ist der max. Lüfterdrehzahlparameter F19 auf 80 % eingestellt, um die Lüfterdrehzahl und die Geräuschemissionen in Wohngebieten zu begrenzen. Anlagenbauer können diese max. Drehzahl auf bis zu 100 % erhöhen, wenn die Geräuschemission keine Belästigung darstellt. Nur bei Typen der Version P02 wird der Digitaleingang DI2 vom Regler an Modul B+ angeschlossen. Dies zeigt den Alarm an, der bei einem Ausfall von Modul B+ den Betrieb des Verdichters stoppt. Der Reglerparameter o37 muss auf 1 eingestellt werden.

Die Drehzahländerung des EC-Lüftermotors wird vom Optyma Plus Controller geregelt, indem die Differenz zwischen der Umgebungstemperatur und der Taupunkttemperatur gemessen wird. Je geringer der Unterschied, desto höher ist die Drehzahl. Die Werkseinstellung ist 8K. Der einstellbare Bereich beträgt 2–20K. Drücken Sie zum Einstellen auf dem Optyma-Regler (der die gesättigte Verdampfungstemperatur anzeigt) die mittlere Taste und ändern Sie den Wert mit der oberen oder unteren Taste.

11. Abschließende Prüfung vor der Inbetriebnahme

	<p>Verwenden Sie gemäß den allgemeinen und landesspezifischen Sicherheitsnormen und -vorschriften Sicherheitsvorrichtungen, wie Sicherheitsdruckschalter oder mechanische Überdruckventile (nicht mitgeliefert). Stellen Sie sicher, dass sie funktionstüchtig und ordnungsgemäß eingestellt sind.</p> <p>Stellen Sie sicher, dass die Einstellungen für die Hochdruckschalter und Überdruckventile den maximalen Betriebsdruck jeglicher Bauteile der Anlage nicht überschreiten.</p>
--	--

- Stellen Sie vor dem Starten des Verflüssigungssatzes sicher, dass die Sammlerventile und das Kugelabsperrventil vollständig geöffnet sind.

- Vergewissern Sie sich, dass sämtliche elektrischen Anschlüsse innen im Verflüssigungssatz ordnungsgemäß befestigt sind, da sie sich während des Transports möglicherweise gelöst haben.
- Wenn eine Kurbelwannenheizung erforderlich ist, muss diese mindestens 12 Stunden vor der ersten Inbetriebnahme der Anlage eingeschaltet werden. Dies gilt auch für Band-Kurbelwannenheizungen vor einer erneuten Inbetriebnahme nach einer längeren Stillstandszeit.
- Die Kurbelwannenheizung muss fest mit dem Verdichtergehäuse verbunden sein. Stellen Sie sicher, dass sie nicht herunterfällt und in der Luft unter Spannung steht.
- Die Schaltschranktür muss mit dem Knauf in der Türverkleidung fest verschlossen werden.
- Alle Verbindungsrohre mit dem Verflüssigungssatz Optyma™ Plus (Flüssigkeits- und Saugrohre) müssen je nach Verdampferposition richtig dimensioniert sein.
- Der Druckabfall in den Saug- und Flüssigkeitsleitungen muss je nach Verdampferposition und -abstand bewertet werden (siehe Coolector2).
- Der Saug-/Heißgasdruck der Verflüssigungssätze Optyma™ Plus muss innerhalb des Betriebsbereichs liegen. Der Verflüssigungssatz darf niemals betrieben werden, wenn der Saugdruck unter dem absoluten Druck (Vakuum) liegt.
- Die Einheit ist mit einem Hauptschalter mit Überlast- und Kurzschlusschutz ausgestattet. Es wird jedoch empfohlen, den Wert vor der Inbetriebnahme des Verflüssigungssatzes zu überprüfen. Den Wert für den Überlastschutz finden Sie im Schaltplan auf der Innenseite der Fronttür am Verflüssigungssatz.
- Vergewissern Sie sich, dass der Heißgastemperaturfühler fest sitzt und einen ordnungsgemäßen Kontakt mit dem Heißgasrohr hat.
- Stellen Sie sicher, dass Sie die Installationsanleitung, die mit dem Verflüssigungssatz geliefert wird, gelesen haben.
- Sie dürfen nur Kältemittel verwenden, die auf dem Typenschild angegeben sind.
- Prüfen Sie den Ölstand des Verdichters.
- Prüfen Sie, ob alle Serviceventile geöffnet sind.
- Stellen Sie sicher, dass der Hochdruckmessumformer zur Anlage geöffnet ist.
- Prüfen Sie alle mechanischen Verbindungen auf festen Sitz.
- Stellen Sie sicher, dass alle elektrischen Überlasteinstellungen richtig eingestellt sind.

12. Inbetriebnahme

- Der Verflüssigungssatz darf niemals ohne Kältemittel betrieben werden.
- Alle Serviceventile müssen geöffnet sein.
- Das Rotalock-Ventil am Sammler sollte vollständig geöffnet sein. Drehen Sie es gegen den Uhrzeigersinn, um es vollständig zu öffnen.
- Prüfen Sie, ob der Verflüssigungssatz für die vorhandene Versorgungsspannung geeignet ist.
- Überprüfen Sie, ob die Kurbelwannenheizung funktioniert.
- Überprüfen Sie, ob sich der Lüfter frei drehen kann.
- Überprüfen Sie, ob die Schutzfolie auf der Rückseite des Verflüssigers entfernt wurde.
- Gleichen Sie den Hoch-/Niederdruck aus.
- Schalten Sie den Verflüssigungssatz ein. Der Verflüssigerlüfter muss sofort anlaufen und nach 30 Sekunden Zeitverzögerung startet der Verdichter (Vorbefüllung).
- Ob sich ein 3-Phasen-Verdichter in die falsche Richtung dreht, lässt sich an folgenden Phänomenen erkennen: Der Verdichter baut keinen Druck auf. Der Verdichter arbeitet mit einem ungewöhnlichen hohen Geräuschpegel. Die Leistungsaufnahme des Verdichters ist ungewöhnlich gering. Bei falscher Drehrichtung muss der Verdichter sofort abgeschaltet werden um eine Korrektur zur richtigen Phasenfolge herzustellen.
- Bei korrekter Drehrichtung ist an der Regleranzeige bzw. am Niederdruckmanometer ein sinkender Druck abzulesen –

und an der Regleranzeige bzw. am Hochdruckmanometer ein steigender Druck (nur beim Anlaufen).

13. Überprüfung bei laufendem Verflüssigungssatz

- Überprüfen Sie die Drehrichtung des Lüfters. Die Luft muss vom Verflüssiger zum Lüfter strömen.
- Überprüfen Sie Stromaufnahme und Spannung.
- Überprüfen Sie die Überhitzung der Saugleitung, um das Risiko von Flüssigkeitsschlägen zu vermindern.
- Sofern am Verdichter ein Schauglas vorhanden ist, beobachten Sie den Ölstand beim Anlaufen und während des Betriebs, um sicherzustellen, dass der Ölstand sichtbar bleibt.
- Beachten Sie die Betriebsgrenzen.
- Die Verflüssigungssätze Optyma™ Plus sind für den Betrieb bis zu einer Umgebungstemperatur von 43 °C ausgelegt. Im Normal- oder Spitzenbetrieb darf die Taupunktverflüssigungstemperatur für R404A/R507, R448A, R449A, R452A, R454C, R455A 63 °C nicht überschreiten. Die Taupunktverflüssigungstemperatur für R134a, R513A und R1234yf darf 65 °C nicht überschreiten.
- Überprüfen Sie alle Leitungen auf ungewöhnliche Vibrationen. Bewegungen von mehr als 0,15 mm erfordern Korrekturmaßnahmen wie z. B. die Verwendung von Rohrhalterungen.
- Bei Bedarf kann auf der Niederdruckseite in größtmöglichem Abstand zum Verdichter flüssiges Kältemittel nachgefüllt werden. Während dieses Nachfüllvorgangs muss der Verdichter in Betrieb sein.
- Überfüllen Sie die Anlage nicht.
- Beachten Sie die in Ihrem Land geltenden Vorschriften zum Recycling des Kältemittels aus dem Verflüssigungssatz.
- Lassen Sie niemals Kältemittel in die Atmosphäre entweichen.
- Führen Sie eine allgemeine Inspektion der Installation hinsichtlich Sauberkeit, Geräuschpegel und eine Lecksuche durch, bevor Sie den Installationsort verlassen.
- Dokumentieren Sie die Art und Menge des Kältemittels sowie die Betriebsbedingungen als Referenz für künftige Inspektionen.
- Prüfen Sie den Saug- und Heißgasdruck sowie die Temperatur.
- Kältemittelfüllung und Laufströme von Motoren zur Sicherstellung des ordnungsgemäßen Betriebs.
- Überprüfen Sie die Überhitzung der Saugleitung des Verdichters, um das Risiko von Flüssigkeitsschlägen zu vermindern.
- Lassen Sie die Anlage 3-4 Stunden lang laufen. Überprüfen Sie den Ölstand des Verdichters und füllen Sie den richtigen Öltyp nach, wie auf dem Typenschild von Verflüssigungssatz und Verdichter angegeben.
- Überprüfen Sie den Ölstand des Verdichters erneut nach 24 Betriebsstunden.
- Führen Sie eine abschließende Leckageprüfung durch, stellen Sie sicher, dass alle Abdeckungen angebracht sind und alle Schrauben festgezogen sind.
- Zur Einhaltung der vor Ort geltenden Normen bringen Sie abschließend eine Kennzeichnung des Kältemittels an.
- Scrollverdichter dürfen mit maximal 12 Start/ Stoppzyklen pro Stunde betrieben werden.
- Hubkolbenverdichter dürfen mit maximal 10 Start/ Stoppzyklen pro Stunde betrieben werden.
- Stellen Sie sicher, dass die Wartung entsprechend den Installationsanweisungen durchgeführt wird.

14. Notbetrieb ohne Regler

Bei Ausfall des Reglers kann der Verflüssigungssatz weiter betrieben werden, sofern die Standardverdrahtung des Reglers wie unten beschrieben modifiziert und in eine vorübergehende Verdrahtung geändert wird.

Anleitung

	<p>Diese Modifikation darf nur von qualifizierten Elektrikern und Personal mit der benötigten Sachkunde vorgenommen werden. Die Vorschriften und Bestimmungen Ihres Landes müssen beachtet werden.</p>
	<p>Trennen Sie den Verflüssigungssatz von der Spannungsversorgung (drehen Sie den Geräte Hauptschalter in die Aus-Position).</p>
	<p>Der Regler muss so schnell wie möglich ausgetauscht werden, um eine Verringerung der Lebensdauer zu vermeiden.</p>

- Der Kontakt des Raumthermostats bei 24–25 °C (z. B. D11) muss 250 V AC schalten können.
- Entfernen Sie die Ader 22 (Sicherheitseingang D13) sowie die Ader 24 (Raumthermostat D11) und verbinden Sie diese Adern mit einer isolierten Klemmenbrücke (250 VAC, 10 mm²).
- Entfernen Sie die Ader 25 (Raumthermostat D11) und die Ader 11 (Verdichterstromversorgung) und verbinden Sie diese Adern mit einer isolierten Klemmenbrücke (250 VAC, 10 mm²).
- Entfernen Sie die Ader 6 und verbinden Sie sie mit der Klemmbrücke für Ader 11 und 25. An Ader 6 kann ein Lüfterdruckschalter bzw. eine Lüfterdrehzahlregelung in Reihe geschaltet werden.
- Entfernen Sie die Ader 14 (Kurbelwannenheizung) und schließen Sie sie an die Klemme 22 des Verdichterschützes an.
- Entfernen Sie die Ader 12 (Spannungsversorgung der Kurbelwannenheizung) und verlängern Sie das Kabel mithilfe einer Klemmenbrücke (250 VAC, 10 mm²) und einer braunen Ader (1,0 mm²). Schließen Sie diese Ader dann an die Klemme 21 des Verdichterschützes an.
- Entfernen Sie die große Klemmenleiste von den Reglerklemmen 10 bis 19.
- Schließen Sie den Verflüssigungssatz an die Versorgungsspannung an (schalten Sie den Geräte Hauptschalter ein).
- Öffnen Sie bei 114X33YY und 114X43YY-Einheiten mit EC-Lüftermotor den Klemmenkasten des Lüftermotors und schließen Sie den 0-10-V-Lüfterdrehzahlgang an die 10-V-Versorgungsklemme an.

15. Wartung

	<p>Schalten Sie die Stromversorgung des Verflüssigungssatzes immer aus, indem Sie den Hauptschalter ausschalten, bevor Sie das Lüfterblech öffnen.</p>
	<p>Der in der Anlage herrschende Druck und die Oberflächentemperatur können dauerhafte körperliche Schäden verursachen. Wartungspersonal und Installateure müssen über geeignete persönliche Schutzausrüstung, Fähigkeiten und Werkzeuge verfügen, um die Wartungsarbeiten durchführen zu können. Die Rohrtemperatur kann 100 °C überschreiten und schwere Verbrennungen verursachen.</p>
	<p>Stellen Sie sicher, dass regelmäßig Service-Inspektionen gemäß den Vorschriften Ihres Landes durchgeführt werden, um einen zuverlässigen Betrieb der Anlage zu gewährleisten.</p>

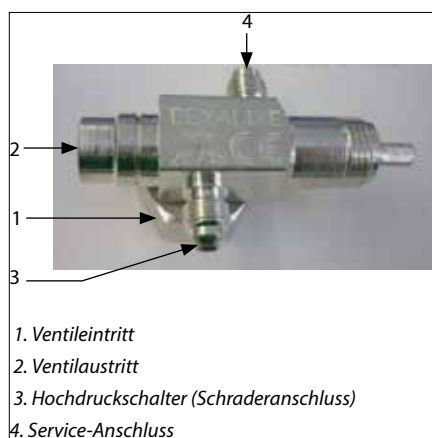
Um systembedingte Probleme zu vermeiden, werden die folgenden regelmäßigen Wartungsarbeiten empfohlen:

- Vergewissern Sie sich, dass die Sicherheitsvorrichtungen funktionstüchtig und ordnungsgemäß eingestellt sind.
- Stellen Sie sicher, dass keine Lecks in der Anlage vorhanden sind.
- Überprüfen Sie die Stromaufnahme des Verdichters.
- Vergewissern Sie sich anhand der

Wartungsunterlagen, dass die Anlage entsprechend den bisherigen Werten und Betriebsbedingungen läuft.

- Überprüfen Sie, ob sämtliche elektrischen Anschlüsse noch ordnungsgemäß befestigt sind.
- Sorgen Sie dafür, dass der Verflüssigungssatz sauber ist und bleibt, und vergewissern Sie sich, dass die Bauteile des Verflüssigungssatzes, die Rohre und die elektrischen Anschlüsse frei von Rost und Oxidation sind.
- Sorgen Sie dafür, dass die Oberfläche des Microchannel-Wärmeübertragers ausreichend sauber ist, um Verstopfungen zu vermeiden. Der Verflüssiger muss mindestens einmal im Jahr auf Verschmutzungen überprüft und ggf. gereinigt werden. An die Innenseite des Verflüssigers gelangen Sie über die Lüftertür. Bei Microchannel-Wärmeübertragern lagert sich der Schmutz eher auf als im Verflüssiger ab. Deshalb sind sie leichter zur reinigen als Kupferrohr-Lamellenverflüssiger.
- Schalten Sie die Stromversorgung des Verflüssigungssatzes aus, indem Sie den Hauptschalter ausschalten, bevor Sie das Lüfterblech öffnen.
- Alle elektrischen Geräte, persönliche Schutzausrüstungen und Werkzeuge müssen für die Verwendung mit A2L-Kältemitteln wie R454C, R455A und R1234yf kompatibel und zugelassen sein.
- Entfernen Sie Oberflächenschmutz, Laub, Fasern usw. mit einem Staubsauger, der mit einer weichen Bürste oder einem anderen weichen Aufsatz ausgestattet ist. Alternativ hierzu können Sie auch Druckluft von innen nach außen durch das Register blasen und mit einer weichen Bürste abbürsten. Verwenden Sie keine Drahtbürste. Stoßen Sie nicht mit dem Rohr oder der Düse des Staubsaugers gegen die Spule und vermeiden Sie Kratzer.
- Stellen Sie sicher, dass die Öffnungen in Trennwand und Grundplatte für die Vorbelüftung frei sind.
- Bevor Sie die Lüftertür wieder schließen, drehen Sie den Lüfterflügel in eine sichere Position, damit die Tür nicht gegen den Lüfter stößt.

Falls der Kältemittelkreislauf geöffnet wurde, muss die Anlage mit trockener Luft oder Stickstoff „gespült“ werden, um jegliche Feuchtigkeit zu entfernen. Zudem muss ein neuer Filtertrockner eingebaut werden. Wenn eine Evakuierung des Kältemittels nötig sein sollte, muss diese so vorgenommen werden, dass kein Kältemittel in die Umwelt entweicht.



1. Ventileintritt
 2. Ventilaustritt
 3. Hochdruckschalter (Schradersanschluss)
 4. Service-Anschluss
- Das Ventil ist vollständig geschlossen (Ventilspindel vollständig im Uhrzeigersinn gedreht).
 - 1, 3 und 4 sind angeschlossen.
 - 2 hat keine Verbindung zu anderen Anschlüssen.
 - Das Ventil ist einige Umdrehungen geöffnet (Ventilspindel befindet sich in einer Position zwischen „geöffnet“ und „geschlossen“).
 - 1, 2, 3 und 4 sind angeschlossen.
 - Das Ventil ist vollständig geöffnet (Ventilspindel vollständig gegen den Uhrzeigersinn gedreht).
 - 1, 2 und 3 sind angeschlossen.
 - 4 hat keine Verbindung zu anderen Anschlüssen.

Spindel komplett geschlossen



Spindel ganz offen



16. Einbauerklärung

• Druckgeräterichtlinie 2014/68/EU

EN378-2:2016 – Kälteanlagen und Wärmepumpen – Sicherheitstechnische und umweltrelevante Anforderungen – Teil 2: Konstruktion, Herstellung, Prüfung, Kennzeichnung und Dokumentation.

Niederspannungsrichtlinie 2014/35/EU EN 60335-1:2012 + A11:2014 – Sicherheit elektrischer Geräte für den Hausgebrauch und ähnliche Zwecke – Teil 1: Allgemeine Anforderungen – für alle unten genannten Verflüssigungssätze

Ökodesign-Richtlinie 2009/125/EG zur Schaffung eines Rahmens für die Festlegung von Anforderungen an die umweltgerechte Gestaltung energieverbrauchsrelevanter Produkte.

VERORDNUNG (EU) 2015/1095 zur Durchführung der Richtlinie 2009/125/EG im Hinblick auf die Festlegung von Anforderungen an die umweltgerechte Gestaltung von gewerblichen Kühllagerschränken, Schnellkühlern/-frostern, Verflüssigungssätzen und Prozesskühlern.

• Verflüssigungssatzmessungen erfolgen gemäß der Norm „EN 13771-2:2017“ – Kältemittel-Verdichter und Verflüssigungssätze für die Kälteanwendung – Leistungsprüfung und Prüfverfahren – Teil 2: Verflüssigungssätze Ökodesign-Erklärung; siehe Danfoss Coolector®2 mit der Bestellnummer (114X...).

17. Garantie

Zur Geltendmachung eines Garantieanspruchs müssen stets Typenbezeichnung und Seriennummer des Produkts übermittelt werden.

Unter Umständen erlischt die Produktgarantie in folgenden Fällen:

- Fehlen des Typenschildes
- Äußere Modifikationen, vor allem durch Bohren, Schweißen, gebrochene Füße und Stoßspuren
- Öffnung des Verdichters/Rückgabe eines unversiegelten Verdichters
- Rost, Wasser oder Farbstoff zur Lecksuche im Inneren des Verdichters
- Verwendung eines von Danfoss nicht zugelassenen Kältemittels oder Schmiermittels
- Jegliche Abweichung von den Hinweisen zur Installation, Anwendung oder Wartung
- Benutzung in mobilen Anwendungen
- Benutzung in einer explosionsfähigen Atmosphäre
- Keine Angabe der Typen- oder Seriennummer bei der Geltendmachung des Garantieanspruchs.

18. Entsorgung

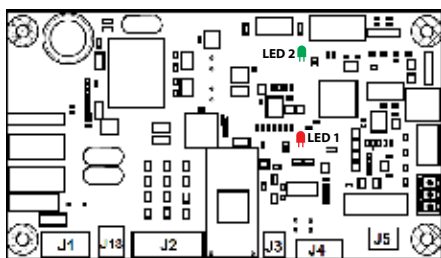


Danfoss empfiehlt die Entsorgung der Verflüssigungssätze und des Öls durch ein entsprechend qualifiziertes Unternehmen am Standort der Anlage.

Anleitung

19 - Modul B Plus - Benutzerhandbuch

Modul B Plus ist eine Elektronikplatine für Typen mit P02-Version zur automatischen Flüssigkeitseinspritzung in Scroll-Verdichter mit elektronischem Expansionsventil.



Modul B Plus

Modul B Plus wird vom Berührungsschutz (Bild 6) abgedeckt.

⚠ Entfernen Sie den Berührungsschutz nur dann, wenn dies erforderlich ist. Schalten Sie das Gerät aus, bevor Sie diese Abdeckung entfernen.



Bild 6

Anwendung

Modul B Plus regelt die Flüssigkeitseinspritzung und überwacht zudem die folgenden Parameter: Heißgastemperatur, Phasenfolge und Phasenausfall.

Funktionsbeschreibung

- **Flüssigkeitseinspritzung**
- Modul B Plus kann die Heißgastemperatur regeln. Der standardmäßige Einstellungswert ist 125 °C. Dieser ist erforderlich, um den Verflüssigungssatz zuverlässig innerhalb seiner Anwendungsgrenzen zu betreiben.

⚠ Ändern Sie diesen Einstellungswert nicht.

- Sobald der Verdichter stoppt, wird innerhalb von 6 Sekunden das Flüssigkeitseinspritzungsventil

geschlossen.

- **Heißgastemperatur-Überhitzungsschutz**
- Der Heißgastemperaturfühler von Modul B Plus kann die Heißgastemperatur in einem Bereich zwischen -50 und 180 °C bei einer Messtoleranz von ±0,5 °C erfassen. Der Heißgasfühler ist in einem Abstand von 150 mm zum Verdichter-Druckstutzen angebracht.
- Wenn die Heißgastemperatur über dem Hochtemperaturschwellenwert (Einstellungswert + 10 K) liegt, wird das Alarmrelais (J5) innerhalb von 1 Sekunde geöffnet. Der Status heißt „DGT Überhitzung statisch“ (siehe Tabelle 1). Wenn die Heißgastemperatur 5 Minuten lang durchgehend unter dem Zurücksetzungspunkt (Einstellungswert -15 °C) liegt, wird das Alarmrelais (J5) geschlossen. Dieser 5-Minuten-Verzögerungsstatus heißt „DGT Rücksetzungsverzögerung“.
- Wenn die Heißgastemperatur öfter als 5-mal innerhalb von 1 Stunde den Grenzwert überschreitet, wird das Alarmrelais (J5) im offenen Zustand gesperrt und kann nur zurückgesetzt werden, indem das Netzteil von Modul B Plus manuell zurückgesetzt wird (Einheit aus- und nach einiger Zeit wieder einschalten). Der Status heißt „DGT Überhitzungssperre“ (siehe Fehlerbehebung in Tabelle 1).

- Bei einer Fehlfunktion des Heißgastemperaturfühlers, z. B. „Sensor unterbrochen“, „Sensor-Kurzschluss“ oder „Außerhalb Bereich“, wird das Alarmrelais (J5) ebenfalls im offenen Zustand gesperrt (siehe Fehlerbehebung Tabelle 1).

• **Phasenschutz**

- Die Funktionen für die Phasenfolge und Erkennung einer fehlenden Phase werden nur beim Einschalten des Verdichters ausgeführt. Wenn ein Phasenfehler vom Typ „Phasenverlust“ oder „Phasenumkehrung“ innerhalb von 4,5 bis 5 Sekunden erfasst wird, wird das Alarmrelais (J5) geöffnet und im offenen Zustand gesperrt. Dieser Sperrstatus kann nur durch manuelles Zurücksetzen des Netzteils von Modul B Plus zurückgesetzt werden (siehe Fehlerbehebung in Tabelle 1).

• **Benutzerschnittstelle**

- Nach dem Einschalten von Modul B Plus leuchtet LED 1 (Stromversorgung) durchgehend rot. Nach dem Ausschalten von Modul B Plus erlischt LED 1 (Stromversorgung). Nach dem Einschalten von Modul B Plus, leuchtet LED 2 (Status) durchgehend grün, sofern das Modul

keine Störung aufweist. Die Anordnung von LED 1 und LED 2 an Modul B Plus sind auf Abbildung 6 zu sehen.

- Wenn Modul B Plus eingeschaltet wird und eine Störung erfasst wird, leuchtet LED 2 (Status) abwechselnd jeweils eine Sekunde lang gelb und rot. Weitere Informationen zum Blinkcode in Tabelle 1.

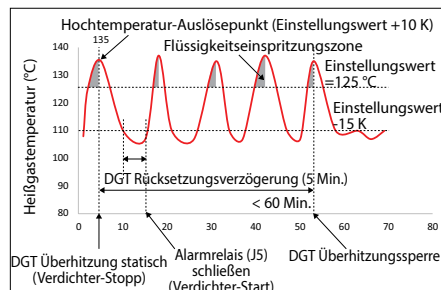
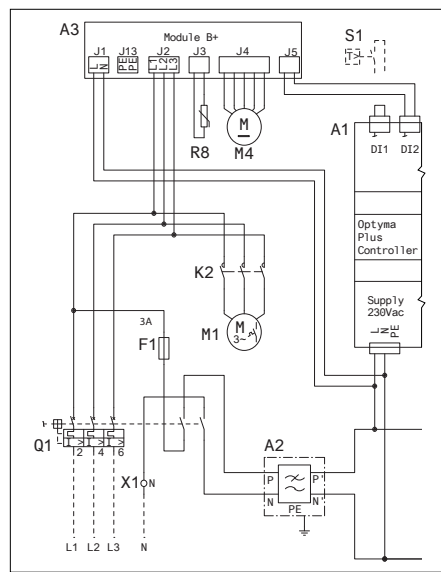


Bild 7.

- **Modul B Plus Kommunikation mit dem Optyma™ Plus Regler.**

- Wenn Alarmrelais (J5) geöffnet ist, wird das Signal an Digitaleingang 2 (DI2) des Optyma™ Plus Reglers gesendet, der den Sicherheitsalarm (A97) im Optyma™ Plus Regler aktiviert, und die Stromversorgung des Verdichters wird sofort unterbrochen.



Modul B Plus Schaltplan

Kategorie	Blinkdauer Gelb	Blinkdauer Rot	Fehler	Beschreibung	Maßnahme
Heißgastemperatur	1	1	DGT Hochtemperatur statisch/DGT Rücksetzungsverzögerung	Die Heißgastemperatur ist höher als der Auslösepunkt für den Verdichter-Stopp	Überprüfen Sie, ob der Optyma Regler einen Sicherheitsalarm (A97) ausgibt. Falls ja, warten Sie, bis dieser automatisch behoben ist. Tritt dieser Fehler öfter auf, prüfen Sie, ob das Gerät innerhalb seiner Anwendungsgrenzen betrieben wird.
		2	DGT Hochtemperatur-sperre	„DGT Überhitzung statisch“ tritt 5-mal innerhalb 1 Stunde auf	Setzen Sie das Netzteil von Modul B Plus manuell zurück (Einheit ausschalten und nach einiger Zeit wieder einschalten).
		3	DGT außerhalb des Bereichs	DGT außerhalb des normalen Bereichs (-50 ... 180 °C)	Überprüfen Sie, ob der Heißgastemperaturfühler ordnungsgemäß an der Druckleitung montiert ist. Überprüfen Sie die Heißgastemperatur unter Optyma™ Plus Regler-Parameter U27 (sollte sich innerhalb -50 ... 180 °C befinden).
		4	DGT Sensorbruch/DGT Sensor-Kurzschluss	Heißgastemperaturfühler gebrochen/Kurzschluss	Überprüfen Sie den Heißgastemperaturfühler und den Anschluss.
Dreiphasig	2	1	Phasenverlust	Verlust einphasiges Signal	Überprüfen Sie am 3-phasigen Netzteil (J2) von Modul B Plus, ob eine der 3 Phasen fehlt. Falls ja, schließen Sie das Netzteil von Modul B Plus richtig an und setzen Sie Modul B Plus manuell zurück (Einheit ausschalten und nach einiger Zeit wieder einschalten).
		2	Phasenumkehrung	Falscher Phasenanschluss	Überprüfen Sie am 3-phasigen Netzteil (J2) von Modul B Plus, ob die Reihenfolge der 3 Phasen richtig ist. Falls nicht, schließen Sie das Netzteil von Modul B Plus in der richtigen Phasenreihenfolge an und setzen Sie Modul B Plus manuell zurück (Einheit ausschalten und nach einiger Zeit wieder einschalten).

Tabelle 1: Störungs-Blinkcode (LED 2 Gelb-Rot-Blinkcode)

Instructions (Français)

Optyma™ Plus

OP-MPS, OP-MPT, OP-LPV, OP-LPK et OP-MPI



Le boîtier électrique de l'Optyma™ Slim Pack bénéficie d'un niveau de protection IP54 pour éviter une migration rapide du réfrigérant A2L. Le joint doit être entretenu et tout dommage au joint doit être réparé de manière appropriée. (Voir section 8 – Sécurité)

La porte du boîtier électrique doit toujours être fermée pendant le fonctionnement et après l'entretien/la maintenance périodique.

L'installation et l'entretien des groupes de condensation doivent être effectués uniquement par du personnel qualifié. Le montage, la mise en service, l'entretien et la maintenance doivent être effectués conformément aux présentes instructions ainsi qu'aux règles de l'art en matière de réfrigération.

Le groupe de condensation doit être utilisé uniquement dans le ou les buts pour lesquels il a été conçu et en respectant sa plage d'utilisation. Réfrigérant à utiliser conformément aux spécifications du modèle.

Dans tous les cas, il est impératif de respecter les spécifications de la norme EN 378 et de toute autre réglementation locale en vigueur en matière de sécurité.

Le groupe de condensation est livré à une pression d'azote de 2^obarg et ne doit donc pas être raccordé en l'état. Reportez-vous à la section « installation » pour plus de détails.

Le groupe de condensation doit être manipulé avec précaution et en position verticale (inclinaison maximale : 15°).

Les groupes de condensation peuvent être utilisés avec des réfrigérants A2L. Il convient d'être prudent lors de l'installation et de l'entretien.

Dans le cas des fluides frigorigènes A2L, tous les composants du circuit de réfrigération doivent être certifiés A2L. Exemple : Évaporateur et détendeur.

Pour les modèles **PED Cat I** : La soupape de sécurité doit être montée sur le système de réfrigérant pendant l'installation sur site. Une soupape de sécurité doit être montée sur le réservoir.

Pour les modèles **PED Cat II** : La soupape de sécurité est équipée en usine d'un groupe de condensation sur le réservoir de liquide avec un paramètre de pression de 34,5 ± 1 bar. (Voir section 3.1 – Soupape de sécurité)

Le fonctionnement de la vanne Receiver Rotolock doit être effectué par un opérateur professionnel formé/qualifié. Assurez-vous que toutes les vannes rotolock sont ouvertes pendant le fonctionnement du CU.

Normes et directives pertinentes

EN 378-2:2016 : Systèmes de réfrigération et pompes à chaleur – Exigences de sécurité et environnementales

EN 60335-1 : Appareils électrodomestiques et analogues – Sécurité – Partie 1 : Exigences générales

EN CEI 61000-6-8:202 : Compatibilité électromagnétique (CEM) Partie 6-8 : Normes génériques

EN 60335-2-40 : Appareils électrodomestiques et analogues

EN 60335-2-80 : Appareils électrodomestiques et analogues

Directive basse tension no. 2014 / 35 / UE

Directive Machines no. 2006 / 42 / CE

Directive des équipements sous pression (PED) n° 2014/68/UE

Directive RoHS 2011/65/UE

Directive DEEE 2012/19/EU

(Autres normes locales applicables)

1 – Introduction

Ces instructions concernent les groupes de condensation Optyma™ Plus OOP-MPS, OP-MPT, OP-LPV, OP-LPK et OP-MPI utilisés pour les systèmes de réfrigération. Elles fournissent les informations nécessaires relatives à la sécurité et à l'utilisation de ce produit.

Le groupe de condensation comprend les éléments suivants :

- Échangeur de chaleur à microcanaux
- Compresseur à piston ou scroll
- Réservoir avec vanne d'arrêt
- Vannes à boisseau sphérique avec vanne Schrader
- Voyant liquide (raccords flare)
- Transducteurs de pression d'aspiration et de reflux
- Pressostats haute et basse pression
- Filtre déshydrateur (raccords flare)
- Régulateur électronique
- Sectionneur principal (interrupteur général avec protection contre les surcharges)
- Condensateurs de ventilateur et de compresseur
- Contacteur du compresseur
- Boîtier robuste et résistant aux intempéries
- Panneau électrique IP54 entièrement précâblé
- Moteur de ventilateur AC pour les modèles H1 et H2
- Moteur de ventilateur EC pour les modèles H3 et H4
- La soupape de sécurité est montée sur les modèles PED Cat II (fiche technique – Annexe A)
- Les composants connectés sont équipés d'un port Schrader
- Régulateur d'injection de liquide (Module B Plus)*
- Détendeur électronique (ETS6) pour injection de liquide*


* Uniquement pour les modèles version P02

2 – Manutention et stockage

- Ne pas braser tant que le groupe de condensation est sous pression.
- Les réfrigérants A2L sont plus lourds que l'air. Danfoss recommande d'installer au-dessus du niveau du sol. Voir Annexe – A.
- Il est recommandé de ne pas ouvrir l'emballage avant d'avoir positionné le groupe à son emplacement d'installation.
- Manipulez le groupe avec soin. L'emballage permet l'utilisation d'un chariot élévateur ou d'un transpalette. Utilisez un équipement de levage approprié et sûr.
- Stockez et transportez le groupe en position verticale.
- Stockez le groupe à une température comprise entre -35 °C et 50 °C.
- N'exposez pas l'emballage à la pluie ou à une atmosphère corrosive.
- Après le déballage, vérifiez que le groupe est complet et qu'il n'est pas endommagé.

3 – Précautions d'installation

- Ne pas braser tant que le groupe de condensation est sous pression.
- Placez le groupe de manière à ne pas bloquer ou gêner le passage, les portes, les accès, etc.
- Les réfrigérants A2L sont plus lourds que l'air. Le groupe doit être installé au-dessus du niveau du sol pour assurer une bonne ventilation du compartiment du compresseur.

	<p>Soupape de sécurité : Sur les modèles PED Cat II, la soupape de sécurité est pré-installée. Pour les modèles PED de catégorie I, la soupape de sécurité doit être montée pendant l'installation sur site.</p>
---	--

- Assurez-vous de laisser un espace adéquat autour du groupe afin de permettre la circulation de l'air et l'ouverture des portes. Référez-vous à l'annexe A pour connaître les valeurs minimales de distance par rapport aux murs.
- Évitez d'installer le groupe à un emplacement exposé quotidiennement au rayonnement direct du soleil pendant de longues périodes.
- Évitez d'installer le groupe dans un environnement agressif et poussiéreux.
- Assurez-vous de disposer d'une fondation horizontale (d'une inclinaison inférieure à 3°), suffisamment stable et résistante pour pouvoir supporter l'intégralité du poids du groupe et éliminer les vibrations (utiliser des silent blocs, des coussinets ou un support) et les interférences.
- La température ambiante d'utilisation du groupe ne doit pas dépasser 63 °C lors des périodes d'arrêt.
- Assurez-vous que l'alimentation électrique corresponde aux caractéristiques du groupe (voir plaque signalétique).
- Lors de l'installation de groupes pour réfrigérants R454C, R455A et R1234yf, utilisez de l'équipement spécialement réservé aux fluides A2L et n'ayant jamais été utilisé pour d'autres réfrigérants HFO, CFC ou HCFC.
- Utilisez des tubes en cuivre/aluminium de qualité frigorifique, propres et déshydratés, et d'épaisseur

Instructions

adaptée ainsi que du matériau de brasage en alliage d'argent.

- Utilisez des composants de système propres et déshydratés.
- La tuyauterie d'aspiration raccordée au compresseur doit être flexible dans les 3 dimensions afin d'amortir les vibrations. En outre, la tuyauterie doit être installée de manière à assurer le retour d'huile du compresseur et à éviter tout risque d'accumulation de liquide dans le compresseur.
- Dans l'Optyma, le groupe de condensation est équipé d'une vanne d'aspiration et de service de liquide avec un port Schrader pour la maintenance sur site
- Les groupes Optyma Plus dont le code est 114X34-- et 114X44-- ont deux réservoirs en ligne avec vannes. Vérifier que les deux vannes sont ouvertes avant le démarrage.

3.1 – Soupape de sécurité

	<p>Pour les groupes de condensation Optyma™ Plus PED catégorie II, la soupape de sécurité est équipée en usine d'un pré réglage de 34,5 ± 1 bar. (Voir les caractéristiques techniques de la catégorie PED à l'annexe A).</p>
	<p>Pour les groupes de condensation Optyma™ Plus PED catégorie I, la soupape de sécurité doit être montée (voir les caractéristiques techniques de la catégorie PED à l'annexe A).</p>
	<p>La soupape de sécurité est utilisée comme dispositif visant à limiter les dommages et non comme dispositif de limitation de la pression.</p>

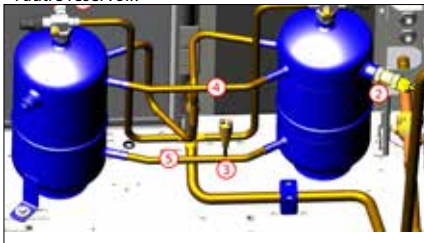
- Soupape de sécurité à monter sur le réservoir de liquide avec raccord NPT 3/8". (Voir Coolselector2 pour le code de pièce de rechange de la soupape de sécurité). Utilisez Locatite 554 pour l'installation de la soupape de sécurité.
- Couple de serrage : 40Nm (ne pas dépasser le couple indiqué)



- L'installateur doit veiller à savoir vers où disperser les fuites de réfrigérant. Danfoss recommande de les disperser à l'opposé du groupe de condensation.
- Il est recommandé de changer la soupape de sécurité après le refoulement lors du changement de réfrigérant
- Ne retirez pas le joint pour tenter de réinitialiser la soupape.
- Les soupapes doivent être installées verticalement ou horizontalement, mais assurez-vous que la soupape de sécurité est installée au-dessus du niveau de liquide du système.
- Assurez-vous que le réfrigérant est libéré directement dans l'atmosphère en toute sécurité.
- En cas de danger, un kit de rechange supplémentaire a été conçu pour récupérer le réfrigérant libéré. Le kit doit être installé avec une tuyauterie adéquate pour le refoulement du réfrigérant en toute sécurité. (Voir l'illustration ci-dessous)



- La soupape de sécurité ne doit pas être installée sur la vanne de service.
- Remplacez la soupape de sécurité après nettoyage ou démontage du système.
- Aucun joint et aucune vanne amovibles ne doivent être accessibles au public. Tous les joints de brasage doivent être conformes à la norme EN 14276-2 et les autres joints permanents à la norme EN 16084.
- Les groupes Optyma Plus dont le code est 114X34-- et 114X44-- ont une soupape de sécurité montée sur l'un des réservoirs. Un bouchon borgne est installé sur l'autre réservoir.



1. Transmetteur de pression HP
2. Soupape de sécurité
3. Pressostat ACB
4. Port d'égalisation de gaz
5. Port d'égalisation liquide

4 – Installation

- L'installation/l'entretien des groupes de condensation Optyma™ Plus doit être effectué(e) par un personnel qualifié, conformément à la réglementation locale/internationale en vigueur, et avec les Equipement de protection individuelle (EPI) appropriés.
- L'installation dans laquelle le groupe de condensation est mis en place doit être conforme à la Directive des Equipements sous Pression (PED) 2014/68/UE. Le groupe de condensation en lui-même ne constitue pas un « groupe » au sens de cette directive.
- Le groupe doit être installé sur un support stable et rigide et doit être fixé dès le départ. Voir Annexe – A.
- Il est recommandé d'installer le groupe sur des silent blocs ou des amortisseurs de vibrations (non fournis).
- Il est possible de superposer les groupes les uns sur les autres.

Unité	Superposition maximale
Boîtier 1 (Code no. 114X31-- ou 114X41--)	3
Boîtier 2 (Code no. 114X32-- ou 114X42--)	2
Boîtier 3 (Code no. 114X33-- ou 114X43--)	2
Boîtier 4 (Code no. 114X34-- ou 114x44--)	2

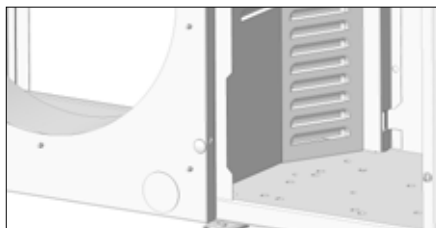
- En cas de montage superposé, le groupe situé au sommet doit être fixé au mur, tel qu'indiqué à l'illustration 2.
- Réduisez progressivement la pression d'azote interne via le raccord Schrader.
- Raccordez le groupe au système dès que possible pour éviter toute contamination de l'huile par l'humidité ambiante.
- Évitez toute entrée de matériau dans le système lors de la coupe des tubes. Ne jamais percer de trous lorsque l'ébarbage est impossible.
- Prenez les plus grandes précautions lors du brasage, conformez-vous scrupuleusement aux règles de l'art et dégazez la tuyauterie avec un flux d'azote.
- Raccordez les dispositifs de sécurité et de régulation nécessaires. Lorsque le port Schrader est utilisé à cet effet, enlevez le faux bouchon.
- Il est recommandé d'isoler le tube d'aspiration de l'évaporateur jusqu'à l'entrée du compresseur avec une isolation de 19 mm d'épaisseur.
- Vérifiez qu'il n'y a pas de réfrigérant ou de dégât à l'intérieur du groupe et qu'il n'y a pas de fissure dans les tuyaux.

- Assurez-vous que tous les composants à l'intérieur du boîtier électrique sont protégés contre les surcharges et "ne sont pas source d'inflammation" pour les réfrigérants approuvés selon leurs fabricants respectifs.
- Le câblage de terrain doit être acheminé à travers les presse-étoupes IP65 et la plaque d'entrée des câbles uniquement. Pour tout passage de câbles supplémentaire, il est strictement interdit de percer ou forer sur les côtés du panneau électrique.
- Pour le câblage in-situ, ne percer que les trous strictement nécessaires. Aucun trou percé ne doit être laissé sans câble. En cas de perçage indésirable, toute la plaque presse-étoupe doit être remplacée.

118U5258 – Pièce de rechange, presse-étoupe



- Le panneau de séparation et la plaque de base comportent des ouvertures dédiées à la pré-ventilation, ne pas sceller/obstruer/fermer les ouvertures de quelque manière que ce soit.



- En cas d'incertitude sur des fuites, pour éviter la concentration de réfrigérant dans le compartiment du compresseur, le ventilateur démarre avant le compresseur avec une temporisation de 30 secondes pour les compresseurs.
- Le matériau des tuyaux en cuivre doit être conforme à la norme EN12735-1. Et tous les joints de tuyaux doivent être conformes à la norme EN14276-2
- Lors de l'installation sur le terrain, ajoutez du support en fonction de la taille et du poids. Espacement maximum recommandé pour le support de tuyau conformément aux normes EN12735-1 et EN12735-2
- Les tuyaux doivent être raccordés avant d'ouvrir les vannes pour permettre au réfrigérant de circuler entre les pièces du système de réfrigération.

5 – Détection des fuites

	<p>Ne mettez jamais le circuit sous pression avec de l'oxygène ou de l'air sec. Ceci pourrait provoquer un incendie ou une explosion.</p>
--	---

- N'utilisez pas de traceur pour la détection de fuites.
- Effectuez un test de détection de fuites sur le système complet.
- La pression de test maximum est de 25 bar.
- En cas de fuite, procédez à la réparation, puis refaites le test de détection des fuites.

6 – Déshydratation sous vide

- N'utilisez jamais le compresseur pour faire le vide dans le système.
- Raccordez une pompe à vide aux côtés BP et HP pour une évacuation plus rapide et efficace.
- La pompe à vide doit être certifiée pour une utilisation dans un environnement de réfrigérant A2L ou certifiée ATEX.
- Faites le vide dans le système, à une pression absolue de 500 µm Hg (0,67 mbar).
- Ne mettez pas le compresseur sous tension et n'utilisez pas de mégohmmètre lorsque le compresseur est à vide, sous peine de provoquer des dommages internes.

Instructions

7 – Raccordements électriques

- Vérifiez que tous les raccordements électriques à l'intérieur du groupe de condensation sont correctement fixés, car ils ont pu se desserrer pendant le transport.
- Coupez et isolez l'alimentation électrique secteur.
- Assurez-vous qu'il est impossible de mettre l'alimentation sous tension lors de l'installation.
- Tous les composants électriques doivent être sélectionnés conformément aux normes EN60335-1, EN60204 ou aux exigences du groupe et des normes locales applicables.
- Référez-vous au schéma de raccordement électrique pour plus de détails.
- **Tous les composants électriques doivent être qualifiés pour l'utilisation des réfrigérants A2L et "ne pas constituer une source d'inflammation".**
- Assurez-vous que l'alimentation électrique correspond aux caractéristiques du groupe et qu'elle est stable (Tolérance de tension autorisée $\pm 10\%$ et Tolérance de fréquence autorisée $\pm 2,5\text{ Hz}$).
- Les câbles d'alimentation électrique doivent être conformes aux données du groupe en matière de tension, de courant et de conditions ambiantes. Reportez-vous à la plaque signalétique pour plus d'informations sur la tension et le courant.
- Protégez le câble d'alimentation et assurez-vous de la bonne mise à la terre.
- Assurez-vous que l'alimentation est conforme aux normes locales et aux exigences légales.
- Le groupe est équipé d'un régulateur électronique. Référez-vous au manuel 118U3808 pour plus de détails.
- Le groupe est équipé d'un interrupteur principal avec protection contre les surcharges et les courts-circuits. La valeur de la protection contre les surcharges peut être trouvée à l'aide du schéma de raccordement situé sur la porte avant du groupe.
- Le groupe est équipé de pressostats haute et basse pression qui coupent directement l'alimentation électrique du compresseur en cas d'activation. Les paramètres relatifs aux coupures découlant d'une pression trop élevée ou trop basse sont pré-réglés dans le régulateur et adaptés au compresseur installé dans le groupe.
- Les modèles version P02 (OP-xxxxxxxP02E) sont équipés d'une carte électronique pour actionner le détendeur électronique d'injection de liquide (Module B Plus). Voir section « Mode d'emploi Module B Plus » de ce manuel.
- La fréquence de démarrage du groupe de condensation Optyma™ Plus doit être limitée pour les compresseurs à piston.
 - Sans condensateur de démarrage: 5 démarrages par heure maximum.
 - Avec condensateur de démarrage: 10 démarrages par heure maximum.

8 – Sécurité

	La porte du boîtier électrique doit être en position fermée avant le raccordement à l'alimentation électrique.
	La température du tuyau de refoulement peut atteindre 120 °C pendant le fonctionnement du groupe.
	Il est recommandé d'installer la soupape de sécurité à l'intérieur du groupe et de libérer les fuites de réfrigérant directement vers l'atmosphère.

Codes d'unité Optyma plus 114X34-- et 114X44--. Pressostat haute pression monté après le réservoir. Si les vannes Rotolock sont fermées pendant le cycle de pompage, le commutateur HP ne se déclenchera pas.

Le groupe est équipé d'un réservoir de liquide avec un bouchon adaptateur et un raccord NPT 3/8". L'installateur/utilisateur final peut choisir différentes options comme mentionné dans la norme EN378-2 : 2016 Article 5.6.2.2.3

- Le groupe/l'installation dans lequel/laquelle le groupe de condensation est monté/intégré doit être conforme à la directive DESP.
- Attention aux composants extrêmement froids et chauds.
- Attention aux composants mobiles. L'alimentation électrique doit être déconnectée pendant l'entretien.
- Conformément à la réglementation européenne F-gas, les réfrigérants R1234yf, R454C et R455A sont considérés comme des réfrigérants A2L. Les groupes Optyma™ Plus sont homologués R1234yf, R454C et R455A. Toutes les précautions et mesures de sécurité doivent être prises avant et après l'installation.
- Tous les composants doivent être compatibles avec les réfrigérants spécifiés conformément aux codes des groupes de condensation Optyma™ Plus. Se reporter à l'annexe A.
- Afin d'éviter un arc électrique entre les broches du connecteur hermétique, le compresseur ne doit pas démarrer ou des tests électriques de cette intensité diélectrique ne doivent pas être effectués lorsque le système de réfrigération est sous vide.
- Les groupes de condensation Optyma™ Plus disposent d'une pré-ventilation via un ventilateur de condenseur avant le démarrage du compresseur (30 secondes).
- Danfoss recommande toujours d'utiliser des boîtiers électriques IP54. En cas d'endommagement du joint d'étanchéité en caoutchouc (voir ci-dessous), le client doit le remplacer immédiatement.
- Le compresseur est équipé d'un protecteur interne contre la surcharge (OLP). Celui-ci empêche la pression du compresseur d'excéder 32 bar.



- Aucune soupape et aucun joint amovible ne doivent être situés dans des zones accessibles au public, sauf lorsqu'ils sont conformes à la norme EN 16084
- La tuyauterie de réfrigérant doit être protégée ou fermée pour éviter tout dommage.
- La tuyauterie de terrain doit être installée de manière à ne pas être exposée à un environnement corrosif ou salin afin d'éviter toute corrosion dans la tuyauterie en cuivre/aluminium.
- En cas d'incendie, l'augmentation de la température au niveau du réservoir fait monter la pression. Il est donc très important d'installer une soupape de sécurité.
- Les groupes dont le code est 114X34-- et 114X44-- sont dotés d'un contacteur de porte à des fins de sécurité. Ne pas supprimer ou modifier la connexion.

9 – Remplissage du système

- Ne démarrez jamais le compresseur lorsqu'il se trouve sous vide. Maintenez le compresseur hors tension.
- Utilisez uniquement un réfrigérant pour lequel le groupe est conçu.
- Portez des EPI (équipements de protection individuelle) appropriés pour le remplissage en réfrigérant du groupe de condensation Optyma™ Plus.
- Si un supplément d'huile est nécessaire, consultez l'étiquette du compresseur pour connaître le type d'huile. Consultez les directives d'application du compresseur pour connaître la limite minimale de niveau d'huile avant de procéder au remplissage.
- Pour les réfrigérants à glissement tels que R454C, R455A, R448A, R449A, R452A, utilisez la vanne de liquide de la bonbonne de réfrigérant pour charger.
- Versez le réfrigérant en phase liquide dans le condenseur ou la bouteille de liquide. Laissez le système se charger lentement jusqu'à 4 à 5 bar pour les réfrigérants 404A/R507, R407A, R407F, R448A/R449A, R452A, R454C, R455A et jusqu'à environ 2 bar

pour les réfrigérants R134a, R513A et R1234yf.

- La charge restante est effectuée une fois que l'installation a atteint des conditions de fonctionnement nominales stables.
- Ne laissez jamais la bonbonne de remplissage raccordée au circuit.
- Ne chargez pas de réfrigérant liquide par la conduite d'aspiration.
- L'huile et/ou le réfrigérant ne doivent pas être mélangés à des additifs.
- Lors du remplissage en réfrigérant A2L, assurez-vous que la zone de remplissage est bien ventilée.
- Le réservoir de liquide est équipé d'une vanne Rotolock à des fins d'entretien. Dans les réglages d'usine, la vanne est en position complètement OUVERTE. Pendant l'entretien et l'évacuation, la vanne doit être tournée dans le sens des aiguilles d'une montre jusqu'à être complètement FERMÉE.
- Vannes d'aspiration, vannes de liquides et vannes Rotolock du réservoir en tant que port Schrader pour les opérations de service telles que le chargement de gaz et la mesure de pression.

10 – Réglage du régulateur électronique

	<p>Modifiez le paramètre du régulateur o37 sur 1 en cas de mise à niveau du SPPI (relais de surveillance de l'alimentation). Si vous ajoutez l'option SPPI pour protéger le compresseur, veuillez modifier le réglage o37 de 0 à 1.</p> <p>Pour les modèles version P02 (OP-xxxxxxxP02E), les valeurs o30 sont uniquement 19= R404A / 40=R448A / 41=R449A / 51=R454C / 52 = R455A dans le régulateur</p>
--	--

Catégorie de fluide	Réfrigérant	Paramètre (o61*)
A2L	R455A et R454C	LLZ013, LLZ015, LLZ018, LLZ024 et LLZ034 = 19
		MLZ058 & MLZ076 = 18
A1	R404A/R507, R452A, R448A et R449A	LLZ013 = 43 LLZ015 = 44 LLZ018 = 45 LLZ024 = 39 LLZ034 = 40 MLZ058 = 37 MLZ076 = 38

* Se référer au manuel utilisateur – guide d'installation du régulateur Optyma™ plus (BC08728642552802)

- Le groupe est équipé d'un régulateur électronique programmé en usine contenant des paramètres destinés à être utilisés avec le groupe. Référez-vous au manuel 118U3808 pour plus de détails.
- Par défaut, l'écran du régulateur électronique affiche la valeur de température de la pression d'aspiration en °C. Pour afficher la valeur de température pour la pression de condensation, appuyez sur le bouton inférieur Annexe A ; Illustration 3.
- Retirez la borne DI1 du régulateur (entrée du thermostat d'ambiance) pour éviter tout démarrage intempestif du compresseur. Remettez-le en place une fois les réglages effectués.

Le régulateur électronique est pré-réglé en usine pour R404A ou R449A ou R452A ou R134a selon le modèle de compresseur monté et l'application (voir le manuel d'installation du régulateur Optyma™ 118U3808). Si un réfrigérant différent est utilisé, le réglage du réfrigérant doit être modifié en conséquence.

- Appuyez sur le bouton supérieur pendant quelques secondes. La colonne contenant les paramètres s'affiche.
- Le paramètre r12 doit être réglé au préalable sur 0 (interrupteur principal du logiciel = arrêt).
- Appuyez sur le bouton supérieur ou inférieur pour trouver le code de paramètre o30.
- Appuyez sur le bouton du milieu jusqu'à ce que la

Instructions

valeur de ce paramètre s'affiche.

- Appuyez sur le bouton supérieur ou inférieur pour sélectionner la nouvelle valeur : 3 = R134a.17 = R507. 19 = R404A. 20 = R407C. 21 = R407A. 36 = R513A. 37 = R407F. 40 = R448A. 41 = R449A. 42 = R452A. 39 = R1234yf. 51 = R454C. 52 = R455A
- Appuyez sur le bouton du milieu pour confirmer la valeur sélectionnée.
- Appuyez sur le bouton du haut ou du bas pour trouver le paramètre r84 (r84 = Température de refoulement maximum admissible).
- Appuyez sur le bouton central. La température de refoulement maximum par défaut est de 125 °C.
- Si le client souhaite augmenter la valeur de la vanne, appuyez sur le bouton supérieur pour sélectionner la nouvelle valeur : 130 °C. Appuyez sur le bouton central pour confirmer la valeur sélectionnée.
- La température de refoulement maximum admissible (r84) ne doit pas dépasser 130 °C

Les groupes Optyma Plus 114X33YY et 114X43YY sont équipés d'un moteur de ventilateur EC. Le paramètre F17 du régulateur Optyma Plus est modifié pour être réglé sur 2 afin d'activer la sortie de régulation de la vitesse du ventilateur 0-10 V. En usine, la valeur max. du paramètre de vitesse du ventilateur F19 est réglée sur 80 %, afin de limiter la vitesse du ventilateur et les émissions sonores dans les zones résidentielles. Les installateurs peuvent augmenter cette vitesse max. jusqu'à 100 %, si le bruit émis n'est pas une contrainte. Pour les modèles version P02 uniquement, l'entrée numérique DI2 du régulateur sera connectée au module B+. Cela indique l'alarme qui arrête le fonctionnement du compresseur en cas de défaillance du module B+. Le paramètre du régulateur o37 doit être réglé sur 1.

La variation de vitesse du moteur du ventilateur EC est contrôlée par le régulateur Optyma Plus, en mesurant la différence entre la température ambiante et la température de condensation saturée (point de Rosée). Plus la différence est faible, plus la vitesse est élevée. Le réglage d'usine par défaut est 8K. La plage de réglage sera de 2-20 K. Pour régler à partir de l'écran d'accueil du régulateur Optyma (affichant la température d'aspiration saturée), appuyez sur le bouton du milieu et faites varier la valeur avec les touches haut et bas.

11 – Vérifications préalables à la mise en service

	Utilisez des dispositifs de sécurité tels que des pressostats de sécurité et des soupapes de sécurité mécaniques (non fournis), conformément aux normes de sécurité et aux réglementations générales et locales applicables. Assurez-vous qu'ils sont opérationnels et correctement réglés.
	Vérifiez que les réglages des pressostats haute pression et des soupapes de sécurité ne dépassent pas la pression de service maximale de chaque composant du système.

- Avant de démarrer le groupe de condensation, s'assurer que les vannes du réservoir et la vanne à boisseau sphérique sont complètement ouvertes.
- Vérifiez que tous les raccordements électriques à l'intérieur du groupe de condensation sont correctement fixés, car ils ont pu se desserrer pendant le transport.
- Lorsqu'il est nécessaire d'utiliser une résistance de carter, le groupe doit être mis sous tension au moins 12 heures avant le démarrage initial et avant le démarrage après une mise à l'arrêt prolongée, s'il s'agit d'une résistance de carter de type ceinture.
- La résistance carter doit être solidement fixée sur la coque du compresseur. Assurez-vous qu'elle ne tombe pas et qu'elle est alimentée en air.
- La porte du panneau électrique doit être parfaitement fermée à l'aide du bouton du panneau de porte.
- Tous les tubes de raccord avec le groupe de condensation Optyma™ Plus (liquide et aspiration) doivent être dimensionnés correctement en fonction de l'emplacement

de l'évaporateur.

- La chute de pression dans les conduites de liquide et d'aspiration doit être évaluée en fonction de l'emplacement de l'évaporateur et de la distance (voir Coolselector 2).
- La pression d'aspiration / de refoulement des groupes de condensation Optyma™ Plus doit se situer dans l'enveloppe de fonctionnement. Ne faites jamais fonctionner la pression d'aspiration du groupe de condensation en dessous de la pression absolue (vide).
- Le groupe est équipé d'un interrupteur principal avec protection contre les surcharges et les courts-circuits. Il est toutefois recommandé de vérifier la valeur avant de mettre le groupe en marche. La valeur de la protection contre les surcharges peut être trouvée à l'aide du schéma de raccordement situé sur la porte avant du groupe.
- Vérifiez que le capteur de température de refoulement est bien fixé et entre correctement en contact avec le tube de refoulement.
- Assurez-vous d'avoir lu les instructions d'installation fournies avec le groupe de condensation.
- Utilisez uniquement le(s) réfrigérant(s) indiqué(s) sur la plaque signalétique.
- Vérifiez le niveau d'huile du compresseur.
- Vérifiez que toutes les vannes de service sont ouvertes.
- Assurez-vous que le transmetteur de pression HP est ouvert au système.
- Vérifiez que tous les raccords mécaniques sont bien serrés.
- Vérifiez que tous les réglages de surcharge électrique sont corrects.

12 – Démarrage

- Ne démarrez jamais le groupe si le réfrigérant n'est pas chargé.
- Toutes les vannes de service doivent être en position ouverte.
- La vanne Rotalock sur le réservoir doit être complètement ouverte. Tourner dans le sens antihoraire pour ouvrir complètement.
- Assurez-vous que l'alimentation est compatible avec le groupe.
- Assurez-vous que la résistance de carter fonctionne.
- Assurez-vous que le ventilateur tourne librement.
- Assurez-vous que la protection a été retirée de l'arrière du condenseur.
- Procédez à l'équilibrage HP/BP.
- Alimentez le groupe. Le ventilateur du condenseur doit démarrer rapidement et après 30 secondes de temporisation, le compresseur démarre (pré-ventilation).
- Toute éventuelle rotation inversée d'un compresseur triphasé peut être détectée par les phénomènes suivants : le compresseur n'accumule pas de pression, il a un niveau sonore anormalement élevé et une consommation électrique anormalement faible. Dans ce cas, arrêtez immédiatement le groupe et raccordez les phases aux bornes appropriées.
- Si le sens de rotation est correct, l'indication de basse pression sur le régulateur (ou manomètre basse pression) doit indiquer une pression décroissante et l'indication de haute pression (ou manomètre haute pression) doit indiquer une pression croissante. (uniquement pendant le démarrage)

13 – Vérifications en cours de fonctionnement

- Vérifiez le sens de rotation du ventilateur. L'air doit circuler depuis le condenseur vers le ventilateur.
- Vérifiez la tension et le courant absorbé.
- Vérifiez la surchauffe de l'aspiration pour réduire le risque de coups de réfrigérant.
- Si un témoin de niveau d'huile est présent, vérifiez le niveau d'huile au démarrage et pendant le fonctionnement, afin de vous assurer que le niveau d'huile reste bien visible.
- Respectez les limites de fonctionnement.
- Les groupes de condensation Optyma™ Plus sont conçus pour fonctionner jusqu'à 43 degrés Celsius. En fonctionnement normal ou en période de pointe, la température de condensation à saturation ou point de rosée

ne doit pas dépasser 63 °C pour le R404A/R507, R448A, R449A, R452A, R454C, R455A. La température de condensation à saturation ou point de rosée ne doit pas dépasser 65 °C pour R134a, R513A et R1234yf.

- Contrôlez le niveau de vibration de l'ensemble des tubes. Tout déplacement sur plus d'0,15 mm nécessite des actions correctives telles que des supports.
- Si besoin est, effectuez un complément de charge de réfrigérant en phase liquide côté basse pression, le plus loin possible du compresseur. Maintenez le compresseur en marche au cours de cette opération.
- Ne surchargez pas le système.
- Conformez-vous aux règlements locaux pour la récupération du réfrigérant du groupe.
- Ne rejetez jamais de réfrigérant dans l'atmosphère.
- Avant de quitter le site de l'installation, effectuez une tournée d'inspection générale pour vous assurer de la propreté, de l'absence de bruits et de fuites.
- Notez le type et le volume de la charge de réfrigérant ainsi que les conditions de service à titre de référence pour les inspections ultérieures.
- Vérifiez la température et la pression de refoulement et d'aspiration.
- Vérifiez la charge de réfrigérant et les courants de fonctionnement des moteurs pour garantir un fonctionnement correct.
- Vérifiez la surchauffe d'aspiration du compresseur pour réduire les risques de coup de liquide.
- Laissez le système fonctionner pendant 3 à 4 heures. Vérifiez le niveau d'huile du compresseur et faites l'appoint avec le type d'huile correct, comme indiqué sur la plaque signalétique du groupe et du compresseur.
- Revérifiez le niveau d'huile du compresseur après 24 heures de fonctionnement.
- Effectuez un test d'étanchéité final et assurez-vous que tous les couvercles sont bien en place et que toutes les vis sont bien serrées.
- Assurez un étiquetage complet du réfrigérant pour veiller à la conformité aux normes locales.
- Les compresseurs scroll peuvent fonctionner à un maximum de 12 cycles Marche/Arrêt par heure.
- Les compresseurs à piston peuvent fonctionner à un maximum de 10 cycles Marche/Arrêt par heure.
- Veillez à ce que la maintenance soit effectuée conformément aux instructions d'installation.

14 – Fonctionnement d'urgence sans régulateur

En cas de défaillance du régulateur, le groupe de condensation peut continuer à fonctionner si le câblage normal du régulateur est modifié en câblage temporaire selon la procédure ci-dessous.

	Cette modification ne peut être effectuée que par un électricien autorisé. Les législations nationales doivent être respectées.
	Déconnectez le groupe de condensation de l'alimentation générale (mettez le commutateur principal matériel hors tension).
	Le régulateur doit être remplacé dès que possible pour éviter toute réduction de la durée de vie.

- Le contact du thermostat d'ambiance à 24 - 25 (à savoir D11) doit pouvoir basculer en mode 250 Vca.
- Retirez le fil 22 (entrée de sécurité D13) et le fil 24 (thermostat d'ambiance D11) et raccordez-les à l'aide d'un raccord de borne isolé de 10 mm² pour 250 Vca.
- Retirez le fil 25 (thermostat d'ambiance D11), le fil 6 (alimentation du ventilateur) et le fil 11 (alimentation du compresseur) et raccordez-les à l'aide d'un raccord de borne isolé de 10mm² pour 250 Vca.
- Retirez le fil 6 et raccordez-le aux fils 11 et 25 à l'aide d'un raccord de borne. Il est possible de raccorder en série un pressostat ou un régulateur de vitesse pour le ventilateur sur le fil 6.
- Retirez le fil 14 (résistance de carter) et raccordez-le à la borne 22 du contacteur du compresseur.
- Retirez le fil de la borne 12 du contrôleur (alimentation

Instructions

de la résistance de carter), allongez ce fil à l'aide d'un raccord de borne de 10mm² pour 250 Vca et de câble marron 1,0 mm² et raccordez-le à la borne 21 du contacteur du compresseur K1.

- Retirez le grand bornier qui se trouve sur les bornes 10 à 19 du régulateur.
- Raccordez le groupe de condensation à l'alimentation électrique (mettez le commutateur principal matériel sous tension).
- Pour le groupe 114X33YY et 114X43YY avec moteur de ventilateur EC, ouvrez le bornier du moteur de ventilateur et raccordez l'entrée de vitesse du ventilateur 0-10 V à la borne d'alimentation 10 V.

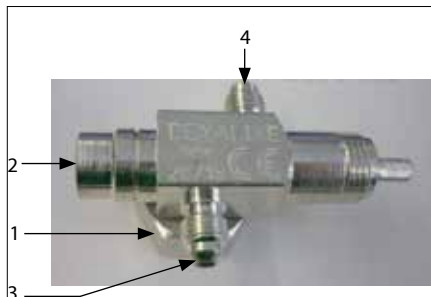
15 – Maintenance

	<p>Coupez toujours l'alimentation électrique du groupe de condensation en coupant l'interrupteur principal avant d'ouvrir le panneau du ventilateur.</p>
	<p>La pression interne et la température en surface sont dangereuses et peuvent causer des blessures irréversibles. Les opérateurs chargés de la maintenance et les installateurs doivent posséder les EPI, les compétences et les outils appropriés pour mener à bien la maintenance. La température des tuyaux pouvant parfois être supérieure à 100 °C, elle peut provoquer de graves brûlures.</p>
	<p>Assurez-vous que les inspections périodiques d'entretien exigées par la réglementation locale et nécessaires au contrôle de la fiabilité du système sont bien effectuées.</p>

Pour éviter tout problème lié au système, la maintenance périodique suivante est recommandée :

- Vérifiez que les dispositifs de sécurité sont en ordre de marche et correctement réglés.
- Vérifiez que le système ne présente aucune fuite.
- Vérifiez le courant absorbé par le compresseur.
- Assurez-vous que le fonctionnement du système ne présente pas d'écart notable par rapport aux rapports de maintenance et conditions ambiantes précédentes.
- Veillez à ce que tous les raccords électriques soient toujours bien fixés.
- Préservez la propreté du groupe et vérifiez l'absence de rouille et d'oxydation sur les composants du groupe, les tubes et les raccordements électriques.
- Nettoyez correctement la surface de l'échangeur de chaleur à microcanaux pour éviter toute obstruction. Le condenseur doit faire l'objet, au moins, d'une vérification de l'encrassement par an et doit être nettoyé si cela s'avère nécessaire. L'accès à la face interne du condenseur se fait par la porte du ventilateur. La poussière a tendance à se déposer à la surface et non à l'intérieur des serpentins à microcanaux, ce qui rend ces derniers plus faciles à nettoyer que les serpentins à tubes à ailettes.
- Coupez l'alimentation électrique du groupe de condensation en coupant l'interrupteur principal avant d'ouvrir le panneau du ventilateur.
- Tous les équipements électriques, EPI et outils doivent être compatibles et homologués pour une utilisation avec des réfrigérants A2L tels que R454C, R455A et R1234yf.
- Retirez la poussière, les feuilles, les fibres, etc. qui se trouvent à la surface à l'aide d'un aspirateur équipé d'une brosse ou de tout autre embout souple. Vous pouvez également souffler de l'air comprimé depuis l'intérieur de l'échangeur et évacuer la saleté à l'aide d'une brosse à poils souples. N'utilisez pas de brosse métallique. Veillez à ne pas endommager ou rayer l'échangeur avec le tube de l'aspirateur ou l'embout du compresseur à air.
- Vérifiez que les ouvertures du panneau de séparation et de la plaque de base sont dégagées pour la pré-ventilation.
- Avant de refermer la porte du ventilateur, placez les hélices du ventilateur dans une position sûre afin d'éviter tout contact entre la porte et le ventilateur.

Si le système de réfrigération a été ouvert, il doit être nettoyé à l'air sec ou à l'azote afin d'éliminer toute trace d'humidité et un nouveau filtre déshydrateur doit être installé. S'il s'avère nécessaire d'évacuer le fluide frigorigène, il ne doit en aucun cas être libéré dans l'environnement.



1. Entrée de vanne
2. Sortie de vanne
3. Pressostat haute pression (Port Schrader)
4. Port de maintenance

- Vanne complètement fermée (tige de la vanne entièrement tournée dans le sens des aiguilles d'une montre)
 - 1, 3 et 4 raccordés
 - 2 n'est pas raccordé aux autres ports
- La vanne est ouverte de quelques tours (la tige de la vanne doit se trouver entre l'ouverture et la fermeture)
 - 1, 2, 3 and 4 Connected
- Vanne complètement ouverte (tige de la vanne complètement tournée dans le sens inverse des aiguilles d'une montre)
 - 1, 2 et 3 raccordés
 - 4 n'est pas raccordé aux autres ports

Broche complètement fermée



Broche complètement ouverte



16 – Déclaration d'incorporation

• Directive relative aux équipements sous pression 2014/68/UE

EN 378-2:2016 – Systèmes de réfrigération et pompes à chaleur – Exigences de sécurité et environnementales – Partie 2 : Conception, construction, test, marquage et documentation.

Directive basse tension 2014/35/UE EN 60335-1:2012 + A11:2014 – Appareils électrodomestiques et analogues – Sécurité – Partie

1 : Exigences générales - pour tous les groupes de condensation mentionnés ci-dessous.

DIRECTIVE écoconception 2009/125/CE, établissant un cadre d'exigences en matière d'écoconception applicables aux produits liés à l'énergie.

RÈGLEMENT (UE) 2015/1095 portant application de

la directive écoconception 2009/125/CE en ce qui concerne les exigences d'écoconception applicables aux armoires frigorifiques professionnelles, aux cellules de refroidissement et de congélation rapides, aux groupes de condensation et aux refroidisseurs industriels.

- Les mesures des groupes de condensation sont effectuées conformément à la norme « EN 13771-2:2017 » – Compresseurs et groupes de condensation pour la réfrigération – Tests de performances et méthodes d'essai – Partie 2 : Groupes de condensation Déclaration d'écoconception: reportez-vous au Danfoss Coolselector®2 avec le numéro de code (114X...) pour trouver la déclaration.

17 – Garantie

Fournir systématiquement la référence du modèle et le numéro de série en cas de réclamation concernant ce produit.

La garantie du produit peut être annulée dans les cas de figure suivants :

- Absence de plaque signalétique.
- Modifications extérieures et plus spécialement perçage, soudage, pieds cassés, traces de chocs.
- Compresseur ouvert ou retourné non scellé.
- Présence de rouille, d'eau ou de traceur de détection de fuites à l'intérieur du compresseur.
- Utilisation d'un réfrigérant ou d'un lubrifiant non homologué par Danfoss.
- Non-respect des instructions spécifiques à l'installation, à l'application ou à la maintenance.
- Utilisation dans des applications mobiles.
- Utilisation dans des atmosphères déflagrantes.
- Absence de numéro de modèle et de série accompagnant la réclamation au titre de la garantie.

18 – Mise au rebut



Danfoss recommande que les groupes de condensation et leur huile soient recyclés par une société appropriée, sur le site de celle-ci.

Instructions

19 - Module B Plus - Mode d'emploi

Le module B plus est une carte électronique utilisée dans les modèles version P02 pour l'injection automatique de liquide dans le compresseur réglée par un détendeur électronique.



Module B Plus

Le module B plus est couvert par une protection contre le contact direct comme indiqué sur l'illustration 6.

⚠ N'enlevez pas la protection contre le contact direct sauf en cas de nécessité. Éteignez l'unité avant de retirer la protection.

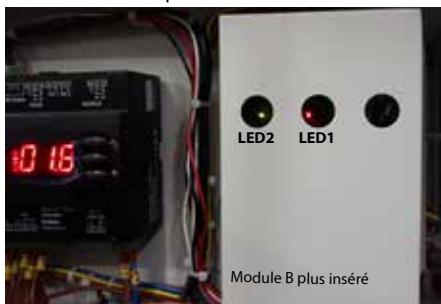


Illustration 6

Application

Le module B Plus régule l'injection de liquide et il contrôle aussi les paramètres suivants : Température des gaz de refoulement, contrôle de phase et défaillance de phase.

Description fonctionnelle

• Injection de liquide

- Le module B Plus peut réguler la température du gaz de refoulement. La valeur de consigne par défaut est de 125 °C, ceci est nécessaire pour faire fonctionner le groupe de condensation dans son enveloppe de fonctionnement.

⚠ Ne modifiez pas cette consigne.

- Lorsque le compresseur s'arrête, la vanne

d'injection de liquide se fermera en moins de 6 secondes.

• Protection anti-surchauffe de la température des gaz de refoulement

- Le capteur de température de gaz de refoulement du module B Plus peut détecter la température des gaz de refoulement dans un intervalle allant de -50 à 180 °C, avec une précision de $\pm 0,5$ °C. Le capteur de refoulement est installé à moins de 150 mm du port de refoulement du compresseur.

- Si la température des gaz de refoulement est supérieure au point de déclenchement de surchauffe (consigne + 10 K), le relais d'alarme (J5) va s'ouvrir en moins de 1 seconde. Cet état est nommé Surchauffe TGR d'après le tableau 1. Si la température des gaz de refoulement est inférieure au point de réinitialisation (consigne -15 °C) continuellement pendant 5 minutes, le relais d'alarme (J5) va se fermer. Ce délai de 5 minutes est nommé Délai réinitialisation TGR.

- Si plus de 5 surchauffes de température des gaz de refoulement se produisent en 1 heure, le relais d'alarme (J5) se verrouille dans l'état ouvert et ne peut être réinitialisé qu'en réinitialisant manuellement l'alimentation électrique du Module B Plus (éteignez l'unité puis rallumez-la après un certain temps). Cet état est nommé Verrouillage surchauffe TGR, voir tableau 1 pour l'identification des erreurs.

- En cas de dysfonctionnement du capteur de température de gaz de refoulement, par exemple Capteur ouvert, Capteur en court-circuit ou Hors plage, le relais d'alarme (J5) se verrouille également dans l'état ouvert, voir tableau 1 pour l'identification des erreurs.

• Protection de phase

- Le contrôle de phase et la détection de phase manquante ne sont accomplies qu'à chaque allumage du compresseur. En cas de détection d'un état de phase défaillant, Perte de Phase ou Inversion de Phase, le relais d'alarme (J5) va s'ouvrir en 4,5 s à 5 s et se verrouiller dans l'état ouvert. Cet état ouvert verrouillé ne peut être réinitialisé qu'en réinitialisant manuellement l'alimentation électrique du Module B Plus, voir tableau 1 pour l'identification des erreurs.

• Interface utilisateur

- Lors de l'allumage du module B Plus, le voyant d'alimentation LED 1 sera rouge fixe en permanence. Lors de l'extinction du module, le voyant d'alimentation LED 1 sera éteint. Si le module B Plus s'allume et qu'il n'y a pas

d'erreur, le voyant d'état LED 2 sera vert fixe. Voir illustration 6 pour l'emplacement des voyants LED 1 et LED 2 sur le module B Plus.

- Lors de l'allumage du module B Plus, si une erreur est détectée, le voyant d'état LED 2 clignotera en jaune et rouge toutes les secondes. Pour plus de détails sur les codes clignotants, voir tableau 1.

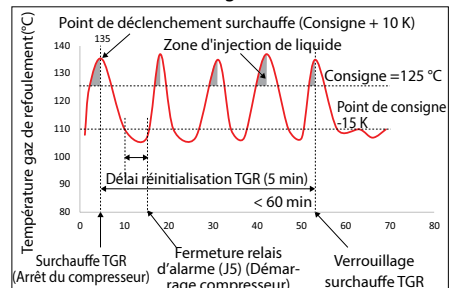


Illustration 7

• communication du module B Plus avec le régulateur Optyma Plus Controller.

- Lorsque le relais d'alarme (J5) est ouvert, le signal est communiqué à l'entrée digitale 2 (DI2) du régulateur Optyma, ce qui déclenche l'alarme de sécurité (A97) dans le régulateur Optyma Plus Controller et interrompra immédiatement l'alimentation électrique du compresseur.

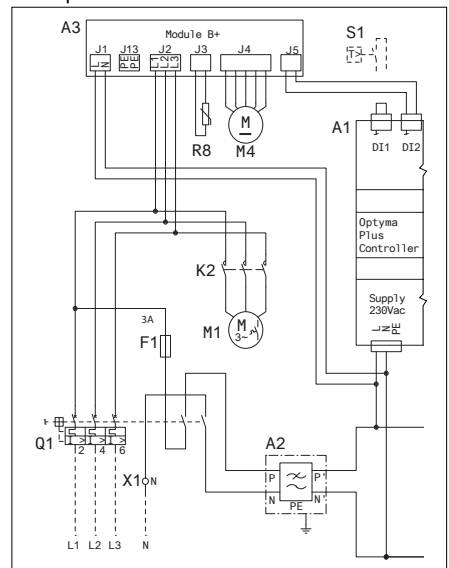


Schéma de câblage modèle B Plus

Catégorie	Nombre de clignotements jaunes	Nombre de clignotements rouges	Erreur	Description	Action
Température des gaz de refoulement	1	1	Surchauffe TGR/ Délai réinitialisation TGR	La température des gaz de refoulement est supérieure au point de déclenchement de l'arrêt du compresseur	Vérifiez si le Contrôleur Optyma affiche l'alarme de sécurité (A97). Si oui, attendez jusqu'à résolution automatique. Si cette erreur se produit fréquemment, vérifiez que l'unité fonctionne dans ses paramètres recommandés.
		2	Verrouillage surchauffe TGR	La surchauffe TGR se produit 5 fois en moins de 1 heure	Réinitialisez manuellement l'alimentation du module B Plus (éteignez l'unité et rallumez-la après avoir attendu un certain temps).
		3	TGR hors plage	TGR hors plage normale (-50... 180 °C)	Vérifiez si le capteur de température des gaz de refoulement est monté correctement sur la conduite de refoulement. Vérifiez la température des gaz de refoulement sur le paramètre U27 du régulateur Optyma Plus Controller (elle devrait se trouver dans une plage de -50... 180 °C).
		4	Capteur TGR ouvert/ en court-circuit	Capteur de température des gaz de refoulement ouvert/en court-circuit	Vérifiez le capteur de température de refoulement et le raccordement.
Triphasé	2	1	Perte de phase	Perte de signal sur une phase	Vérifiez que l'alimentation triphasée (J2) du Module B Plus n'a pas de phase manquante. Si oui, raccordez correctement l'alimentation électrique et réinitialisez manuellement le Module B Plus (éteignez l'unité puis rallumez-la après un certain temps).
		2	Inversion de phase	Raccordement incorrect des phases	Vérifiez que les 3 phases de l'alimentation triphasée (J2) du Module B Plus sont dans la séquence correcte. Si ce n'est pas le cas, raccordez l'alimentation électrique avec la bonne séquence et réinitialisez manuellement le Module B Plus (éteignez l'unité puis rallumez-la après un certain temps).

Tableau 1 : Code clignotement erreur (code clignotement jaune-rouge LED 2)

Instrucciones (Español)

Optyma™ Plus

OP-MPS, OP-MPT, OP-LPV, OP-LPK y OP-MPI



El grado de protección IP54 de la caja eléctrica de la unidad Optyma™ Plus evita la rápida migración del refrigerante A2L. El sellado debe mantenerse y cualquier daño en el sellado debe repararse adecuadamente. (Consulte el apartado 8: Seguridad)

La puerta de la caja eléctrica debe estar siempre cerrada durante el funcionamiento y después de las tareas de servicio/mantenimiento periódico.

La instalación y el mantenimiento de la unidad condensadora deben ser llevados a cabo exclusivamente por personal cualificado. Siga estas instrucciones y las adecuadas prácticas de ingeniería de refrigeración, relacionadas con la instalación, puesta en marcha, mantenimiento y servicio técnico.

Las unidades condensadoras solo deben utilizarse para los fines para los que han sido diseñadas, dentro de su campo de aplicación y siguiendo las instrucciones. El refrigerante debe utilizarse de acuerdo con las especificaciones del modelo.

En cualquier circunstancia, deben cumplirse los requisitos establecidos por la norma EN378 y otros reglamentos locales vigentes en materia de seguridad.

La unidad condensadora se suministra con gas nitrógeno a presión (2 bar, (manométrico)) y, por lo tanto, no puede conectarse tal cual; consulte la sección «Montaje» si desea obtener más información.

Manipule la unidad condensadora con precaución y en posición vertical (desviación máxima respecto a la vertical: 15°).

Las unidades condensadoras pueden utilizarse con refrigerantes A2L, por lo que deberán extremarse las precauciones durante la instalación y el mantenimiento.

En el caso de los refrigerantes A2L, todos los componentes del circuito de refrigeración deben tener la certificación A2L. Ejemplo: Evaporador y válvula de expansión

Para modelos de **Cat. PED I**: La válvula de alivio de presión debe montarse en el sistema de refrigerante durante la instalación de campo. La PRV debe montarse en el recipiente. Para modelos de **Cat. PED II**: La válvula de alivio de presión viene equipada de fábrica con una unidad condensadora en el recipiente de líquido con un ajuste de la presión de 34,5 ± 1 bar. (Consulte el apartado 3.1 - Válvula PRV)

La operación de la válvula Rotolock del receptor debe ser operada por un operador profesional capacitado/capacitado. Asegúrese de que todas las válvulas Rotolock estén abiertas durante el funcionamiento de CU.

Normas y directivas relevantes

EN 378-2:2016: Sistemas de refrigeración y bombas de calor: requisitos de seguridad y medioambientales

EN 60335-1: Aparatos electrodomésticos y análogos. Seguridad. Parte 1: Requisitos generales

EN IEC 61000-6-8:202: Compatibilidad electromagnética (CEM) Parte 6-8: Normas genéricas

EN 60335-2-40: Electrodomésticos y aparatos análogos

EN 60335-2-80: Electrodomésticos y aparatos análogos

Directiva de baja tensión n.º 2014/35/UE

Directiva de máquinas n.º 2006/42/CE

Directiva de Equipos a Presión (PED) n.º 2014/68/UE

Directiva RoHS 2011/65/UE

Directiva WEEE 2012/19/UE

(Otras normas locales aplicables)

1 – Introducción

Estas instrucciones son válidas para las unidades condensadoras Optyma™ Plus OP-MPS, OP-MPT, OP-LPV, OP-LPK y OP-MPI utilizadas en sistemas de refrigeración. Ofrecen la información necesaria con respecto a la seguridad y el uso adecuado de este producto.

Estas unidades condensadoras incluyen los siguientes componentes:

- Intercambiador de calor de microcanales
- Compresor alternativo o scroll
- Recipiente con válvula de cierre
- Válvulas de bola con válvula Schrader
- Visor (conexiones roscadas)
- Transductores de presión de descarga y aspiración
- Presostatos de alta y baja presión
- Filtro secador (conexiones roscadas)
- Controlador electrónico
- Disyuntor principal (interruptor principal con protección contra sobrecarga)
- Condensadores de ventilador y compresor
- Contactor del compresor
- Robusta carcasa resistente a la intemperie
- Panel eléctrico IP54 totalmente precableado
- Motor de ventilador de CA para modelos H1 y H2
- Motor de ventilador EC para modelos H3 y H4
- La PRV está instalada en los modelos de Cat. PED II (Folleto técnico - Anexo A)
- Los componentes conectados están equipados con un puerto Schrader
- Controlador de inyección de líquido (módulo B plus)*
- Válvula de expansión electrónica (ETS6) para inyección de líquido*

* Solo para modelos de la versión P02

2 – Manipulación y almacenamiento

- No realice ningún tipo de soldadura mientras la unidad condensadora se encuentre presurizada.
- Los refrigerantes A2L son más pesados que el aire. Danfoss recomienda la instalación por encima del nivel del suelo. Consulte el Anexo A
- Se recomienda no abrir el embalaje hasta que la unidad se encuentre en el lugar en el que se vaya a proceder a su instalación.
- Manipule la unidad con cuidado. El embalaje admite el uso de una carretilla elevadora o una transpaleta para su manipulación. Use siempre equipos de elevación adecuados y seguros.
- Almacene y transporte la unidad en posición vertical.
- Almacene la unidad a temperaturas comprendidas entre -35 °C y 50 °C.
- No exponga el embalaje a la lluvia o a atmósferas de carácter corrosivo.
- Una vez desembalada la unidad, compruebe que se encuentre completa y que no haya sufrido daños.

3 – Precauciones durante la instalación

- No realice ningún tipo de soldadura mientras la unidad condensadora se encuentre presurizada.
- Coloque la unidad de forma que no obstruya u obstaculice vías de paso, puertas, ventanas u otros elementos similares.

Los refrigerantes A2L son más pesados que el aire. La unidad debe instalarse por encima del nivel del suelo para tener una buena ventilación del compresor.

PRV: En los modelos de Cat. PED II, la PRV viene instalada. En el caso de los modelos de Cat. PED I, la válvula PRV debe montarse en el campo durante la instalación.

- Asegúrese de que exista espacio suficiente alrededor de la unidad para permitir la circulación del aire y la apertura de las puertas. Consulte el Anexo A para conocer las distancias mínimas con respecto a las paredes.
- No instale la unidad en lugares en los que pueda sufrir la exposición diaria a la luz solar directa durante periodos de tiempo prolongados.
- No instale la unidad en atmósferas de carácter agresivo o polvoriento.
- Asegúrese de que existe un cimiento con superficie horizontal (y pendiente inferior a 3°), lo suficientemente robusto y estable como para soportar el peso de la unidad completa y amortiguar las vibraciones (use arandelas, almohadillas o soportes) e interferencias.
- La temperatura ambiente de la unidad no debe superar los 63 °C durante el ciclo de apagado.
- Asegúrese de que la fuente de alimentación sea compatible con los requisitos de la unidad (consulte la placa de características).
- Durante la instalación de unidades aptas para

Instrucciones

el uso de refrigerantes R454C, R455A y R1234yf, emplee un equipo diseñado específicamente para refrigerantes A2L que no haya mantenido contacto con refrigerantes HFO, CFC o HCFC.

- Utilice tubos de refrigeración de cobre/aluminio limpios y deshidratados del grosor apropiado y material de soldadura de aleación de plata.
- Use componentes de sistema limpios y secos.
- La tubería de aspiración conectada al compresor debe ser flexible en las 3 dimensiones para amortiguar las vibraciones. Además, la tubería debe disponerse de tal forma que el retorno de aceite hacia el compresor esté garantizado y que se evite el riesgo de que se produzcan golpes de líquido en el compresor.
- En las unidades condensadoras Optyma, las válvulas de aspiración y servicio de líquido cuentan con un puerto Schrader para su uso in situ.
- Las unidades Optyma Plus con códigos 114X34-- y 114X44-- tienen dos recipientes en línea con válvulas. Asegúrese de que ambas válvulas estén abiertas antes de arrancar.

3.1 – PRV Válvula

En el caso de las unidades condensadoras Optyma™ Plus, que pertenecen a la Cat. PED II, la válvula PRV viene equipada de fábrica con un preajuste de 34,5 ±1 bar. (Consulte los Datos técnicos para la categoría PED en el Anexo A).

En el caso de las unidades condensadoras Optyma™ Plus, que pertenecen a la cat. PED I, deberá instalarse una válvula PRV (consulte los datos técnicos para la categoría PED en el Anexo A).

La válvula PRV se utiliza como dispositivo limitador de daños, no como dispositivo limitador de presión.

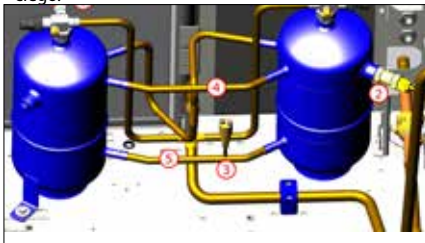
- La válvula PRV debe instalarse en el recipiente de líquido con una conexión NPT de 3/8". (Consulte Coolselector2 para ver el código de la pieza de repuesto PRV). Utilice Loctite 554 para el montaje de la PRV.
- Par de apriete: 40Nm (no exceda el par de apriete indicado)



- El instalador debe ocuparse de saber dónde soplar el refrigerante que se ha filtrado. Danfoss recomienda eliminar el refrigerante de la unidad condensadora.
- Se recomienda cambiar la válvula PRV tras la descarga, cuando se cambie el refrigerante.
- No retire el sello e intente reiniciar la válvula.
- Las válvulas deben instalarse en posición vertical u horizontal, pero asegúrese de que la PRV se instale por encima del nivel de líquido del sistema.
- Asegúrese de que el refrigerante se libere de forma segura directamente a la atmósfera.
- En caso de peligro, se ha diseñado un kit de repuesto adicional para recoger el refrigerante liberado. El kit debe instalarse con un tendido de tuberías adecuado para la descarga segura del refrigerante. (Consulte la imagen a continuación)



- La PRV no debe instalarse en la válvula de servicio.
- Sustituya la PRV después de limpiar el sistema o cuando esté desnuda.
- No debe haber juntas desmontables y las válvulas no deben ser accesibles al público. Todas las juntas soldadas deben cumplir con la norma EN 14276-2 y otras juntas permanentes deben cumplir con la norma EN-16084.
- Las unidades Optyma Plus con códigos 114X34-- y 114X44-- tienen una PRV montada en uno de los recipientes. En el otro recipiente se instala un tapón ciego.



1. Transmisor de presión HP
2. Válvula de alivio de presión
3. Presostato ACB
4. Puerto de equalización de gas
5. Puerto de equalización de líquidos

4 – Instalación

- La instalación y el mantenimiento de las unidades condensadoras Optyma™ Plus deben correr a cargo de personal cualificado que cumpla las normativas locales e internacionales aplicables y con los Equipo de protección individual (EPI) adecuados.
- La instalación de la que forma parte la unidad condensadora debe satisfacer los requisitos establecidos por la Directiva de Equipos a Presión (PED) 2014/68/EU. En sí, la unidad condensadora no tiene la consideración de «unidad» en el campo de aplicación de dicha directiva.
- La unidad se debe instalar de forma segura en un soporte estable y rígido, al que se deberá fijar desde un principio. Consulte el Anexo A
- Se recomienda instalar la unidad sobre arandelas de goma o amortiguadores de vibraciones (no suministrados).
- Las unidades se pueden apilar unas sobre otras.

Unidad	Apilamiento máximo
Cubierta 1 (Código 114X31-- o 114X41--)	3
Carcasa 2 (Código 114X32-- o 114X42--)	2
Carcasa 3 (Código 114X33-- o 114X43--)	2
Carcasa 4 (Código 114X34-- o 114X44--)	2

- Cuando se apilan unidades, aquella situada más arriba debe fijarse a la pared, tal y como muestra la ilustración 2.
- Libere lentamente la carga de nitrógeno a través de la boquilla Schrader.
- Conecte la unidad al sistema lo antes posible para evitar que el aceite sufra contaminación como resultado de la humedad ambiental.
- Evite que penetren materiales extraños en el sistema durante el corte de los tubos. No perforo ningún orificio allí donde no pueda quitar las rebabas.
- Lleve a cabo las soldaduras con cuidado, empleando técnicas modernas; purgue los conductos haciendo circular gas nitrógeno.
- Conecte los dispositivos de seguridad y control necesarios. Cuando utilice el puerto Schrader a este efecto, retire el tapón ficticio.
- Se recomienda aislar el conducto de aspiración del evaporador hasta la entrada del compresor empleando aislante de 19 mm de grosor.
- Asegúrese de que no haya refrigerante o daños en el interior de la unidad y grietas en las tuberías.
- Asegúrese de que todos los componentes del interior de la caja eléctrica están protegidos contra

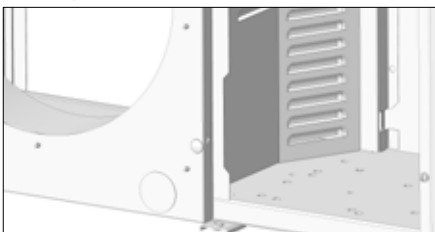
sobrecargas eléctricas y descartados por el fabricante correspondiente como fuentes de ignición con los refrigerantes aprobados..

- El cableado de campo debe tenderse únicamente a través de prensaestopas IP65 y de la placa de entrada de cables. Para cualquier cable adicional, se prohíbe terminantemente perforar los lados del panel eléctrico.
- Para el cableado de campo, solo se debe perforar el orificio requerido. No debe quedar ningún orificio perforado sin cable en él. Si se produce una perforación no deseada, deberá sustituirse toda la placa del prensaestopas.

118U5258 - Repuesto, prensaestopas



- El panel divisorio y la placa base tienen aberturas específicas para la ventilación previa, no selle/obstruya/cierre las aberturas de ninguna manera.



- En caso de fugas inciertas, para evitar la concentración de refrigerante en el compartimento del compresor, el ventilador arranca antes que el compresor, con un retardo de encendido de los compresores de 30 segundos.
- El material de las tuberías de cobre debe cumplir con la norma EN12735-1. Todas las uniones de tuberías deben cumplir con la norma EN14276-2.
- En la instalación de campo, se puede añadir soporte según el tamaño y el peso. La separación máxima recomendada para el soporte de tuberías deberá ser según las normas EN12735-1 y EN12735-2.
- Las tuberías de conexión deben instalarse antes de abrir las válvulas para permitir que el refrigerante fluya entre las piezas del sistema de refrigeración.

5 – Detección de fugas

No presurice nunca el circuito con oxígeno o aire seco. Esto podría provocar un incendio o una explosión.

- No utilice tintes para la detección de fugas.
- Lleve a cabo una prueba de detección de fugas en todo el sistema.
- La presión máxima de prueba es de 25 bar.
- Cuando detecte una fuga, repárela y repita el proceso de detección de fugas.

6 – Deshidratación mediante vacío

- No use el compresor para vaciar el sistema.
- Conecte una bomba de vacío a los lados de baja y alta presión para una evacuación más rápida y eficiente.
- La bomba de vacío debe estar certificada para su uso en un entorno con refrigerante A2L o ATEX
- Vacíe el sistema a una presión absoluta de 500 µm Hg (0,67 mbar).
- No use un megóhmetro ni conecte la alimentación al compresor mientras este se encuentre sometido a vacío, ya que podría causar daños internos..

7 – Conexiones eléctricas

- Compruebe que todas las conexiones eléctricas del interior de la unidad condensadora estén bien fijadas, ya que se podrían haber aflojado durante el transporte.
- Apague el sistema y aisle la fuente de alimentación principal.
- Asegúrese de que no sea posible encender la fuente

Instrucciones

- de alimentación durante la instalación.
- Todos los componentes eléctricos deben seleccionarse de acuerdo con EN60335-1, EN60204 o la norma local aplicable y los requisitos de la unidad.
- Consulte el esquema eléctrico si desea obtener información detallada acerca de las conexiones eléctricas.
- Todos los componentes eléctricos deben ser aptos para el uso de refrigerantes A2L y estar descartados como fuente de ignición.**
- Asegúrese de que la fuente de alimentación responda a las características de la unidad y sea estable (Tolerancia de tensión permitida $\pm 10\%$ y tolerancia de frecuencia permitida $\pm 2,5\text{ Hz}$).
- Los cables de alimentación deben corresponderse con los datos de la unidad para tensión, corriente y condiciones ambientales. Consulte la placa de características para obtener información sobre la tensión y la corriente.
- Proteja el cable de alimentación y asegúrese de que dispone de una conexión a tierra adecuada.
- Conecte la fuente de alimentación de acuerdo con las normas locales y los requisitos legales.
- La unidad está equipada con un controlador electrónico. Consulte el manual 118U3808 para obtener más detalles.
- La unidad está equipada con un interruptor principal con protección contra sobrecarga y protección contra cortocircuitos. La función de protección contra sobrecarga posee una configuración predeterminada de fábrica; no obstante, se recomienda comprobar el valor asignado antes de poner en marcha la unidad. El valor asignado a la función de protección contra sobrecarga se encuentra en el esquema eléctrico situado en la compuerta delantera de la unidad.
- La unidad está equipada con presostatos de alta y baja presión, que interrumpen directamente el suministro eléctrico al compresor al activarse. Las presiones de corte de alta y de baja se establecen en el controlador de acuerdo con el compresor instalado en la unidad.
- Los modelos de la versión P02 (OP-xxxxxxxP02E) están equipados con una placa de circuito electrónico para accionar la válvula de expansión electrónica de inyección de líquido (módulo B plus). Consulte el apartado «Guía del usuario del módulo B plus» de este manual.
- La frecuencia de arranque de las unidades condensadoras Optyma™ Plus debe limitarse para compresores alternativos.
 - Sin condensador de arranque, 5 arranques por hora como máximo.
 - Con condensador de arranque, 10 arranques por hora como máximo.

8 – Seguridad

	La puerta de la caja eléctrica debe estar cerrada antes de conectarla a la fuente de alimentación.
	La temperatura del tubo de descarga alcanzará los 120 °C durante el funcionamiento de la unidad.
	Se recomienda instalar la PRV en el interior de la unidad y la liberación de refrigerante debe dirigirse directamente a la atmósfera.

La unidad cuenta con un recipiente de líquido con un conector adaptador con una conexión NPT de 3/8". El instalador/usuario final puede seleccionar varias opciones, tal y como se menciona en la norma EN 378-2: 2016 Artículo 6.2.2.3

- La unidad/instalación en la que está montada/integrada la unidad condensadora debe satisfacer los requisitos establecidos por la PED.
- Tenga cuidado con los componentes extremadamente

calientes y fríos.

- Tenga cuidado con los componentes móviles. La fuente de alimentación se debe desconectar durante las tareas de reparación y mantenimiento.
- Según el reglamento sobre gases fluorados de la UE, el R1234yf, el R454C y el R455A se consideran refrigerantes A2L. Las unidades Optyma™ son aptas para R1234yf, R454C y R455A. Deben tomarse todas las precauciones y medidas de seguridad necesarias antes y después de la instalación.
- Todos los componentes deben ser compatibles con los refrigerantes especificados según los códigos de las unidades condensadoras Optyma™ Plus. Consulte el Anexo A.
- Para evitar el arco eléctrico entre las clavijas del conector hermético, el compresor no debe arrancar o no deben realizarse pruebas eléctricas de dicha resistencia dieléctrica mientras el sistema de refrigeración esté sometido a vacío.
- Las unidades condensadoras Optyma™ Plus disponen de ventilación previa a través del ventilador del condensador antes de poner en marcha el compresor (30 segundos).
- Danfoss siempre recomienda el uso de la caja eléctrica IP54 principal. En caso de daños en la junta de goma (mostrada a continuación), el cliente deberá sustituirla inmediatamente.
- El compresor tiene un protector interno contra sobrecargas (OLP). Este protegerá la presión del compresor por encima de los 32 bar.



- No debe haber válvulas ni juntas desmontables en áreas accesibles al público general, excepto cuando cumplan con la norma EN 16084.
- Las tuberías de refrigerante deben estar protegidas o encapsuladas para evitar daños.
- Las tuberías de campo se deben instalar de tal forma que no tengan un entorno corrosivo o salino para, de este modo, evitar la corrosión en las tuberías de cobre/aluminio.
- En caso de incendio, la presión aumentará debido al aumento de la temperatura en el recipiente. Por lo tanto, es muy importante instalar la PRV.
- Para los códigos 114X34-- y 114X44--, se proporciona un interruptor limitador de puerta por motivos de seguridad. No elimine ni cambie la conexión.

9 – Llenado del sistema

- No ponga en marcha el compresor en condiciones de vacío. Mantenga el compresor apagado.
- Utilice exclusivamente el refrigerante para el que se haya diseñado la unidad.
- Antes de llenar la unidad condensadora Optyma™ Plus con refrigerante, utilice los EPI (equipos de protección individual) adecuados.
- Si es necesario añadir aceite, consulte la etiqueta del compresor para conocer el tipo de aceite que debe emplearse. Consulte las directrices de aplicación del compresor para conocer el nivel mínimo de aceite antes de rellenar.
- Para los refrigerantes con deslizamiento, como R454C, R455A, R448A, R449A y R452A, utilice la válvula de líquido del cilindro de refrigerante para cargarlo.
- Llene el condensador o el depósito de líquido con refrigerante en fase líquida. Cargue el sistema paulatinamente hasta alcanzar una presión de 4-5 bar (para los refrigerantes R404A/R507, R407A, R407F, R448A/R449A, R452A, R454C y R455A) o 2 bar (para los refrigerantes R134a, R513A y R1234y).
- El resto de la carga deberá llevarse a cabo una

vez que la instalación haya alcanzado sus niveles nominales y los mantenga con estabilidad durante el funcionamiento.

- No deje la botella de carga conectada al circuito.
- No introduzca refrigerante líquido a través de la línea de aspiración.
- Se prohíbe la mezcla de aditivos con el aceite y/o el refrigerante.
- Al cargar refrigerante A2L, asegúrese de que el área de carga esté bien ventilada.
- El recipiente de líquido está equipado con una válvula Rotolock para facilitar su mantenimiento. Como ajuste de fábrica, la válvula estará en posición de apertura total. Durante el mantenimiento y el vaciado, la válvula debe girarse en el sentido de las agujas del reloj hasta que esté en posición completamente CERRADA.
- Válvulas de succión, de líquido y Rotolock del recipiente como puerto Schrader para operaciones de servicio como carga de gas, medición de presión.

10 – Configuración del controlador electrónico

	Cambie el parámetro del controlador o37 a 1 en caso de retrofit SPPR (Relé de control de suministro). Si añade la opción SPPR para proteger el compresor, cambie el valor del ajuste o37 de 0 a 1.
	Para los modelos de la versión P02 (OP xxxxxxxxP02E), los valores de o30 son solo 19=R404A / 40=R448A / 41=R449A / 51= R454C / 52 = R455A en el controlador.

Grupo de fluidos	Refrigerante	Parámetro (o61*)
A2L	R455A y R454C	LLZ013 , LLZ015, LLZ018, LLZ024 y LLZ034 = 19
		MLZ058 y MLZ076 = 18
A1	R404A/R507, R452A, R448A y R449A	LLZ013 = 43 LLZ015 = 44 LLZ018 = 45 LLZ024 = 39 LLZ034 = 40 MLZ058 = 37 MLZ076 = 38

* Consulte la instalación del controlador Optyma™ plus: manual del usuario (BC0872864252802)

- La unidad está equipada con un controlador electrónico programado de fábrica con parámetros aptos para el uso con la unidad real. Consulte el manual 118U3808 para obtener más detalles.
- De forma predeterminada, el controlador electrónico muestra la temperatura a la presión de aspiración en °C. Para mostrar el valor de temperatura de la presión de condensación, pulse el botón inferior, Anexo A (imagen 3).
- Retire el terminal del controlador DI1 (entrada del termostato de ambiente) para evitar cualquier arranque no deseado del compresor. Vuelva a colocarlo después de realizar los ajustes.

El controlador electrónico viene predeterminado de fábrica para el R404A, R449A, R452A o R134a según el modelo de compresor instalado y la aplicación (consulte el manual de instalación del controlador Optyma™ 118U3808). Cambie la configuración del refrigerante si el refrigerante en uso no coincide con el indicado.

- Mantenga pulsado el botón superior durante un par de segundos. Aparecerá una columna con códigos de parámetros.
- El parámetro r12 debe configurarse en 0 antes (interruptor principal del software = apagado).
- Pulse los botones superior e inferior para buscar el código de parámetro o30.
- Mantenga pulsado el botón central hasta que se muestre el valor de dicho parámetro.
- Pulse los botones superior o inferior para seleccionar

Instrucciones

el nuevo valor: 3 = R134a.17 = R507. 19 = R404A. 20 = R407C. 21 = R407A. 36 = R513A. 37 = R407F. 40 = R448A. 41 = R449A. 42 = R452A. 39 = R1234yf. 51 = R454C. 52 = R455A

- Pulse el botón central para confirmar el valor seleccionado.
- Pulse los botones superior o inferior para buscar el código de parámetro r84 (r84 = Temperatura de descarga máxima permitida).
- Pulse el botón central; la temperatura de descarga máxima predeterminada es de 125 °C.
- Si el cliente desea aumentar la válvula, pulse el botón superior para seleccionar el valor nuevo: 130 C. Pulse el botón central para confirmar el valor seleccionado.
- La temperatura de descarga máxima permitida (r84) no debe superar los 130 °C.

Las unidades Optyma Plus 114X33YY y 114X43YY están equipadas con un motor de ventilador EC. El parámetro F17 del controlador Optyma Plus se modifica a 2 para que active la salida de control de velocidad del ventilador de 0-10 V. Como ajuste de fábrica, el valor máx. el parámetro de velocidad del ventilador F19 se ajusta al 80 % para limitar la velocidad del ventilador y las emisiones de ruido en zonas residenciales. Los instaladores pueden aumentar esta velocidad hasta el 100 % si el ruido emitido no es una limitación. Solo en el caso de los modelos de la versión P02, la entrada digital DI2 del controlador se conectará al módulo B+. Esto indicará la alarma, que detiene el funcionamiento del compresor en caso de fallo del módulo B+. El parámetro del controlador debe ajustarse a 1 en o37.

La variación de velocidad del motor del ventilador EC se controla mediante el controlador Optyma Plus, midiendo la diferencia entre la temperatura ambiente y la temperatura de condensación saturada (rocío). Cuanto menor es la diferencia, mayor es la velocidad. El ajuste predeterminado de fábrica es 8K. El intervalo ajustable será de 2 a 20 K. Para ajustarlo, desde la pantalla de inicio del controlador Optyma (que muestra la temperatura de aspiración saturada), pulse el botón central y varíe el valor con la tecla superior o inferior.

11 – Verificación antes de la puesta en marcha

	<p>Emplee dispositivos de seguridad como presostatos de seguridad o válvulas mecánicas de alivio (no se suministran), que satisfagan los requisitos de las normas de ámbito general y local vigentes, así como las normas de seguridad aplicables. Asegúrese de que funcionan y de que están correctamente ajustados.</p> <p>Compruebe que los ajustes de los presostatos de alta presión y que las válvulas de descompresión no superan la presión de servicio máxima de los componentes del sistema.</p>
--	--

- Antes de arrancar la unidad condensadora, asegúrese de que las válvulas del recipiente y la válvula de bolas estén completamente abiertas.
- Compruebe que todas las conexiones eléctricas del interior de la unidad condensadora estén bien fijadas, ya que se podrían haber aflojado durante el transporte.
- Si es preciso el uso de una resistencia de cárter, la unidad deberá activarse, al menos, 12 horas antes de la puesta en marcha inicial, y cualquier puesta en marcha que tenga lugar tras un periodo prolongado de inactividad en el caso de las resistencias de cárter tipo cinturón.
- La resistencia del cárter debe fijarse firmemente a la carcasa del compresor; asegúrese de que no se caiga y reciba energía en el aire.
- La puerta del panel eléctrico debe cerrarse firmemente con el tirador del panel de la puerta.
- Todos los tubos de interconexión con unidades condensadoras Optyma™ Plus (de líquido y de aspiración) deben dimensionarse correctamente en función de la ubicación del evaporador.
- La caída de presión en las tuberías de la línea de

aspiración y de líquido debe evaluarse según la ubicación y la distancia del evaporador (consulte coolselector2).

- La presión de aspiración/descarga de las unidades condensadoras Optyma™ Plus debe estar dentro de los límites de funcionamiento establecidos; no utilice nunca la presión de aspiración de la unidad condensadora por debajo de la presión absoluta (vacío).
- La unidad está equipada con un interruptor principal con protección contra sobrecarga y protección contra cortocircuitos. La función de protección contra sobrecarga posee una configuración predeterminada de fábrica; no obstante, se recomienda comprobar el valor asignado antes de poner en marcha la unidad. El valor asignado a la función de protección contra sobrecarga se encuentra en el esquema eléctrico situado en la compuerta delantera de la unidad.
- Compruebe que el sensor de temperatura de descarga esté firme y tenga un buen contacto con la tubería de descarga.
- Asegúrese de haber leído las instrucciones de instalación suministradas con la unidad condensadora.
- Utilice únicamente los refrigerantes correctos que se indican en la placa de datos técnicos.
- Compruebe el nivel de aceite del compresor.
- Compruebe que todas las válvulas de servicio estén abiertas.
- Asegúrese de que el transmisor de alta presión esté abierto para el sistema.
- Compruebe que todas las conexiones mecánicas estén bien apretadas.
- Compruebe que todos los ajustes de sobrecarga eléctrica sean correctos.

12 – Arranque

- No ponga en marcha la unidad sin haber cargado antes el refrigerante.
- Todas las válvulas de servicio deben estar en posición de apertura.
- La válvula Rotalock del recipiente debe estar completamente abierta. Gírela en el sentido contrario a las agujas del reloj para abrirla del todo.
- Compruebe que la fuente de alimentación satisfaga las características de la unidad.
- Compruebe que la resistencia de cárter se encuentre en funcionamiento.
- Compruebe que el ventilador pueda girar libremente.
- Compruebe que se haya retirado la chapa de protección de la parte posterior del condensador.
- Equilibre la presión de HP/LP.
- Energice a la unidad. El ventilador del condensador debe arrancar inmediatamente y, tras 30 segundos de retardo, arranca el compresor (ventilación previa).
- La rotación inversa ocasional de un compresor trifásico puede detectarse comprobando los siguientes fenómenos: el compresor no comprime, tiene un nivel de ruido demasiado elevado y un consumo de corriente demasiado bajo. Si se enfrenta a una situación de este tipo, apague la unidad inmediatamente y conecte las fases a los terminales que correspondan.
- Si el sentido de giro es el correcto, el indicador de baja presión del controlador (o el manómetro de baja presión) mostrará una disminución de la presión y el indicador de alta presión (o el manómetro de alta presión) mostrará un aumento de la presión (solo durante el arranque).

13 – Comprobaciones con la unidad en funcionamiento

- Compruebe la dirección de rotación del ventilador. Debe circular aire desde el condensador hacia el ventilador.
- Compruebe la tensión y la intensidad de la corriente.
- Compruebe el recalentamiento de la aspiración para reducir el riesgo de golpes de líquido.
- Cuando se disponga de un visor en el compresor, observe el nivel de aceite en el arranque y durante el funcionamiento para confirmar que el nivel de aceite permanece visible.
- Respete los límites de funcionamiento.
- Las unidades condensadoras Optyma™ Plus están diseñadas para funcionar a temperaturas de hasta

43°C. Durante el funcionamiento normal o pico de operación, la temperatura de condensación saturada no debe superar los 63°C para R404A/R507, R448A, R449A, R452A, R454C y R455A. La temperatura de condensación del punto de rocío saturado no debe superar los 65°C para R134a, R513A y R1234yf.

- Compruebe todos los tubos por si hubiese una vibración anormal. Los movimientos que superen 0,15 mm necesitarán medidas correctoras, como soportes de tubos.
- Cuando sea necesario, podrá añadirse refrigerante adicional en fase líquida en el lado de baja presión, lo más alejado posible del compresor. El compresor debe estar en funcionamiento durante este proceso.
- No sobrecargue el sistema.
- Siga las normativas locales para restaurar el refrigerante de la unidad.
- No libere refrigerante a la atmósfera.
- Deje de abandonar el lugar de instalación, lleve a cabo una inspección general y compruebe la limpieza, el ruido y si hay fugas.
- Anote el tipo y la cantidad de refrigerante cargado, así como las condiciones de funcionamiento, como referencia para la ejecución de futuras inspecciones.
- Compruebe la presión y la temperatura de aspiración y descarga.
- Carga de refrigerante y corrientes de funcionamiento de los motores para garantizar un funcionamiento correcto.
- Compruebe el recalentamiento de aspiración del compresor para reducir el riesgo de golpes de líquido.
- Deje que el sistema funcione durante 3-4 horas. Compruebe el nivel de aceite del compresor y rellénelo con el tipo de aceite correcto, tal y como se indica en la placa de datos técnicos de la unidad y el compresor.
- Vuelva a comprobar el nivel de aceite del compresor tras 24 horas de funcionamiento.
- Lleve a cabo una prueba de fugas final y asegúrese de que todas las cubiertas estén colocadas y de que todos los tornillos estén apretados.
- Etiquetado completo del refrigerante para cumplir con la normativa local.
- Los compresores scroll pueden funcionar a un máximo de 12 ciclos de Marcha/Paro por hora.
- Los compresores alternativos pueden funcionar a un máximo de 10 ciclos de Marcha/Paro por hora.
- Asegúrese de que el mantenimiento se lleve a cabo de acuerdo con las instrucciones de instalación.

14 – Funcionamiento de emergencia sin controlador

Si el controlador se avería, aún será posible poner en marcha la unidad condensadora modificando el cableado estándar del controlador y usando el cableado temporal descrito a continuación.

	<p>Esta modificación solo debe ser llevada a cabo por un electricista autorizado. Debe respetarse la legislación nacional a este respecto.</p> <p>Desconecte la unidad condensadora de la fuente de alimentación (apague el interruptor principal del equipo).</p> <p>El controlador debe cambiarse lo antes posible para evitar cualquier reducción de la vida útil.</p>
--	---

- Debe ser posible establecer contacto con el termostato ambiente en 24 - 25 (es decir, DI1) para suministrar 250 VAC.
- Desconecte el cable 22 (entrada de seguridad DI3) y el cable 24 (termostato ambiente DI1), y únalos empleando un puente aislado de 10mm² y 250VCA.
- Desconecte el cable 25 (termostato ambiente DI1) y el cable 11 (alimentación del compresor), y únalos empleando un puente aislado de 10mm² y 250VCA.
- Retire el cable 6 y conéctelo con el puente de terminales para el cable 11 y 25. Es posible conectar un presostato de ventilador o un controlador de velocidad de ventilador en serie con el cable 6.
- Desconecte el cable 14 (resistencia del cárter) y conéctelo al terminal 22 del contactor del compresor.
- Desconecte el cable 12 (alimentación de la resistencia

Instrucciones

- del cárter), prolonguelo empleando un puente de 10mm² y 250VCA y un cable marrón de 1,0mm² y conéctelo al terminal 21 del contactor del compresor
- Desconecte de la regleta grande los terminales 10 a 19 del controlador.
- Conecte la unidad condensadora a la fuente de alimentación (encienda el interruptor principal del equipo).
- Para la unidad 114X33YY y 114X43YY con motor de ventilador EC, abra la caja de terminales del motor del ventilador y conecte la entrada de velocidad del ventilador de 0-10 V al terminal de alimentación de 10 V.

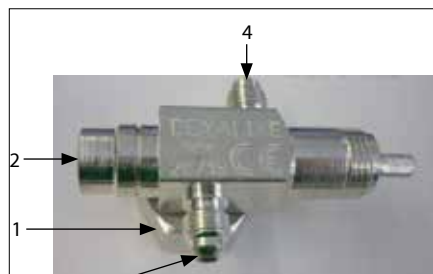
15 – Mantenimiento

	<p>Desconecte siempre el suministro eléctrico de la unidad condensadora apagando el interruptor principal antes de abrir el panel del ventilador.</p>
	<p>La presión interna y la temperatura de la superficie son peligrosas y pueden ocasionar lesiones permanentes. Los operarios de mantenimiento y los instaladores necesitan los EPI, las habilidades y las herramientas adecuadas para llevar a cabo la actividad de mantenimiento. La temperatura de los tubos puede superar los 100 °C y podría provocar quemaduras graves.</p>
	<p>Asegúrese de que se realicen las inspecciones de servicio periódicas necesarias para garantizar la fiabilidad del sistema, de acuerdo con lo dispuesto en la legislación local vigente.</p>

Para evitar problemas derivados del sistema, se recomienda llevar a cabo periódicamente las siguientes tareas de mantenimiento:

- Compruebe que los dispositivos de seguridad funcionen y su ajuste sea correcto.
- Garantice la ausencia de fugas en el sistema.
- Compruebe el nivel de corriente del compresor.
- Confirme que el sistema funciona de un modo coherente con los registros de mantenimiento previos y las condiciones ambientales.
- Compruebe que todas las conexiones eléctricas se encuentren correctamente fijadas.
- Mantenga limpia la unidad y compruebe la ausencia de óxido y herrumbre en los componentes, los tubos y las conexiones eléctricas.
- La superficie del intercambiador de calor de microcanales debe limpiarse adecuadamente para evitar obstrucciones. El condensador se debe revisar al menos una vez al año para detectar posibles obstrucciones y proceder a su limpieza, si es necesario. El acceso a la parte interna del condensador se lleva a cabo a través de la compuerta del ventilador. La suciedad tiende a acumularse en la superficie de los serpentines de los microcanales en lugar de en su interior, lo que facilita su limpieza en comparación con los serpentines de tubo y aletas.
- Desconecte el suministro eléctrico de la unidad condensadora apagando el interruptor principal antes de abrir el panel del ventilador.
- Todos los equipos eléctricos, EPI y herramientas deben ser compatibles y aprobados para su uso con refrigerantes A2L como R454C, R455A y R1234yf.
- Elimine la suciedad, las hojas, las fibras, etc., de las superficies empleando una aspiradora a la que se haya acoplado un cepillo u otro accesorio suave. También puede realizar un soplado con aire comprimido a través del serpentín (desde su parte interior hacia su parte exterior) y cepillarlo con un cepillo de cerdas blandas. No use cepillos de alambre. No golpee ni raye el serpentín con el tubo de vacío o la boquilla de aire.
- Compruebe si las aberturas del panel divisorio y la placa base están libres para la ventilación previa.

- Antes de cerrar la compuerta del ventilador, coloque las aspas en una posición segura para evitar que la compuerta entre en contacto con el ventilador. Si el sistema refrigerante se ha abierto, deberá lavarse empleando aire seco o nitrógeno para eliminar la humedad, e instalarse en él un filtro secador nuevo. Si es necesario evacuar el refrigerante, esta operación se deberá realizar de manera que ninguna fracción de aquel pueda escapar a la atmósfera.



1. Entrada de válvula
2. Salida de válvula
3. Interruptor de alta presión (Puerto Schrader)
4. Puerto de servicio

- Válvula totalmente cerrada (eje de la válvula completamente girado en sentido horario)
 - 1, 3 y 4 conectados
 - 2 no tiene conexión a otros puertos
- Válvula abierta algunas vueltas (eje de la válvula entre apertura y cierre)
 - 1, 2, 3 y 4 conectados
- Válvula completamente abierta (eje de la válvula completamente girado en sentido antihorario)
 - 1, 2 y 3 conectados
 - 4 no tiene conexión a otros puertos

Husillo completamente cerrado



Husillo completamente abierto



16 – Declaración de incorporación

• Directiva de Equipos a Presión 2014/68/UE

EN 378-2:2016: Sistemas de refrigeración y bombas de calor. Requisitos de seguridad y medioambientales. Parte 2: Diseño, fabricación, ensayos, marcado y documentación.

Directiva de Baja Tensión 2014/35/UE EN 60335-1:2012 + A11:2014: Aparatos electrodomésticos y análogos. Seguridad. Parte

1: Requisitos generales para todas las unidades condensadoras mencionadas a continuación. **DIRECTIVA Eco-diseño 2009/125/CE**, que establece un marco para determinar los requisitos de diseño ecológico para productos relacionados con la energía. **REGULACIÓN (UE) 2015/1095** que implementa la Directiva Eco-diseño 2009/125/CE en relación con

los requisitos de diseño ecológico para armarios profesionales de almacenamiento refrigerado, expositores de enfriamiento rápido, unidades condensadoras y enfriadores de proceso.

- Las mediciones de la unidad condensadora se realizan de acuerdo con la norma EN 13771-2:2017: Compresores y unidades de condensación para refrigeración. Ensayos de prestaciones y métodos de ensayo. Parte 2: Unidades de condensación. Declaración Eco-design; consulte Coolselector®2 de Danfoss con el código (114X...) para encontrar la declaración.

17 – Garantía

En cualquier reclamación que presente respecto a este producto, indique siempre el número de modelo y el número de serie.

La garantía del producto puede quedar anulada en los siguientes casos:

- Ausencia de la placa de identificación.
- Modificaciones externas; en concreto, perforación, soldadura, patas rotas y marcas de impactos.
- Compresor abierto o devuelto sin los elementos de sellado.
- Presencia de óxido, agua o tinte de detección de fugas en el interior del compresor.
- Uso de un refrigerante o lubricante no homologado por Danfoss.
- Cualquier desviación respecto a las instrucciones recomendadas relativas a la instalación, la aplicación o el mantenimiento.
- Uso como parte de aplicaciones móviles.
- Uso en atmósferas de carácter explosivo.
- No se ha transmitido el modelo o el número de serie en la reclamación de la garantía.

18 – Eliminación de residuos

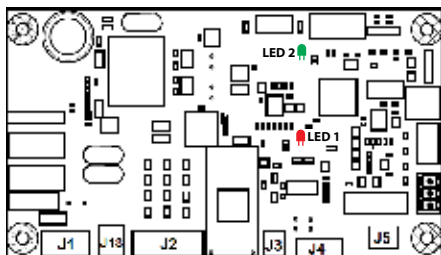


Danfoss recomienda que las unidades condensadoras y el aceite empleado para su funcionamiento sean reciclados por una empresa gestora autorizada y en sus instalaciones.

Instrucciones

19 - Módulo B plus - Guía del usuario

El módulo B plus es una placa de circuitos electrónicos utilizada en los modelos de la versión P02 para la inyección de líquido automática en compresores scroll con una válvula de expansión electrónica.



Módulo B plus

El módulo B plus está equipado con una cubierta de protección táctil según se muestra en la imagen 6.

⚠ No retire la cubierta de protección táctil a menos que sea necesario. Apague la unidad antes de retirar esta cubierta.

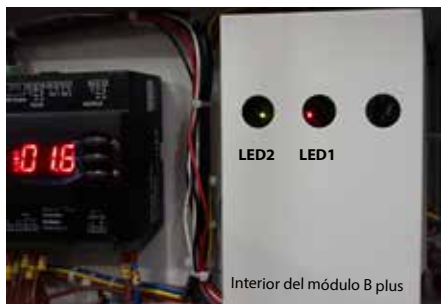


Imagen 6

Aplicación

El módulo B plus controla la inyección de líquido y también monitoriza los siguientes parámetros: temperatura de gas de descarga, secuencia de fase y fallo de fase.

Descripción funcional

• Inyección de líquido

- El módulo B plus puede controlar la temperatura del gas de descarga. El punto de ajuste predeterminado es de 125 °C, esto es necesario para utilizar la unidad condensadora en un intervalo seguro.

⚠ No cambie este punto de ajuste.

- Cuando el compresor se detenga, la válvula de inyección de líquido se cerrará pasados 6 segundos.

• Protección frente al sobrecalentamiento de la temperatura del gas de descarga

- El sensor de temperatura del gas de descarga del módulo B plus puede detectar la temperatura del gas de descarga en un rango de entre -50 y 180 °C y con una precisión de la medición de la temperatura de $\pm 0,5$ °C. El sensor de descarga está instalado a un máximo de 150 mm del puerto de descarga del compresor.

- Si la temperatura del gas de descarga supera el punto de activación de sobrecalentamiento (punto de ajuste +10 K) en un plazo de 1 segundo, el relé de alarma (J5) se activará. Este estado se llama Sobrecalentamiento estático de la DGT en la tabla 1. Si la temperatura del gas de descarga es inferior al punto de restablecimiento (punto de ajuste -15 °C) de manera continuada durante 5 minutos, el relé de alarma (J5) se cerrará. Este estado de retardo de 5 minutos se llama Retardo de restablecimiento de la DGT.

- Si la temperatura del gas de descarga se sobrecalienta más de 5 veces en 1 hora, el relé de alarma (J5) se bloquea en estado abierto y solo se puede recuperar restableciendo manualmente la fuente de alimentación del módulo B plus (apagando y volviendo a encender la unidad pasado un tiempo). Este estado se llama Bloqueo de sobrecalentamiento de la DGT, consulte la tabla 1 para identificar el error.

- Si se produce un funcionamiento incorrecto en el sensor de temperatura del gas de descarga, p. ej. sensor abierto, cortocircuito del sensor o fuera de rango, el relé de alarma (J5) también se bloquea en estado abierto, consulte la tabla 1 para identificar el error.

• Protección de fase

- La detección de secuencia de fase y de fase ausente solo se lleva a cabo cada vez que se enciende el compresor. Si se detecta un estado de fase incorrecto, como pérdidas de fase o inversión de fase, entre 4,5 s y 5 s, el relé de alarma (J5) se abrirá y se bloqueará en el estado abierto. Este bloqueo de estado abierto solo se puede recuperar restableciendo manualmente la fuente de alimentación del módulo B plus, consulte la tabla 1 para identificar el error.

• Interfaz de usuario

- Cuando el módulo B plus se enciende, el LED 1 de alimentación permanecerá todo el tiempo de color rojo fijo. Cuando el módulo se apague, el LED 1 de alimentación se apagará. Si el módulo B plus se enciende y no tiene errores, el LED 2 de

estado estará en verde fijo. Consulte la imagen 6 para conocer la ubicación del LED 1 y del LED 2 en el módulo B plus.

- Si el módulo B plus se enciende y detecta un error, el LED 2 de estado parpadeará en amarillo y rojo alternándose un segundo cada uno. Para conocer los detalles del código de parpadeo, consulte la tabla 1.

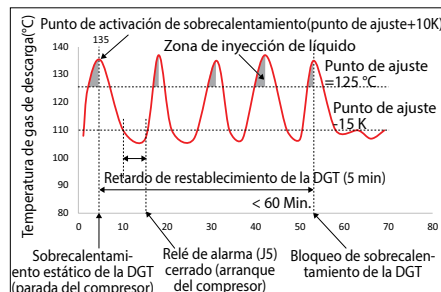
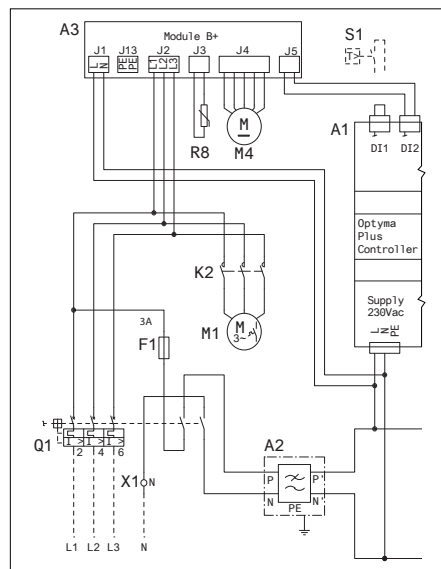


Imagen 7.

• Comunicación del módulo B plus con el Optyma Plus Controller.

- Cuando el relé de alarma (J5) está abierto, la señal se comunica a la entrada digital 2 (DI2) del controlador Optyma, que activa la alarma de seguridad (A97) en el Optyma Plus Controller, y la fuente de alimentación del compresor se detiene inmediatamente.



Esquema eléctrico del módulo B plus

Categoría	Tiempos de parpadeos en amarillo	Tiempos de parpadeos en rojo	Error	Descripción	Acción
Temperatura del gas de descarga	1	1	Sobrecalentamiento estático de la DGT / Retardo de restablecimiento de la DGT	La temperatura del gas de descarga supera el punto de disparo de parada del compresor	Compruebe que el controlador Optyma muestre la alarma de seguridad (A97). Si es así, espere hasta que se resuelva automáticamente. Si observa este error frecuentemente, compruebe que la unidad está funcionando dentro del rango de trabajo recomendado.
		2	Bloqueo de sobrecalentamiento de la DGT	El sobrecalentamiento estático de la DGT se produce 5 veces en 1 hora	Restablezca manualmente la alimentación del módulo B plus (apague la unidad y vuelva a encenderla pasado un tiempo).
		3	DGT fuera de rango	La DGT está fuera del rango normal (-50 ... 180 °C)	Compruebe que el sensor de temperatura del gas de descarga esté correctamente montado en la línea de descarga. Compruebe la temperatura del gas de descarga en el parámetro U27 del Optyma Plus Controller (este debe encontrarse entre -50 y 180°C).
		4	Sensor de la DGT abierto / Sensor de la DGT cortocircuitado	El sensor de temperatura del gas de descarga está abierto/cortocircuitado	Compruebe el sensor de temperatura de descarga y la conexión.
Fase triple	2	1	Pérdidas de fase	Pérdida de señal de una fase	Compruebe en la fuente de alimentación trifásica (J2) al módulo B plus, si falta una de las 3 fases. En ese caso, realice una conexión correcta de la fuente de alimentación y restablezca manualmente el módulo B plus (apague la unidad y vuelva a encenderla pasado un tiempo).
		2	Inversión de fase	Conexión de fase incorrecta	Compruebe en la fuente de alimentación trifásica (J2) al módulo B Plus, si las 3 fases están en la secuencia correcta. Si no es así, realice una conexión correcta de la fuente de alimentación en secuencia y restablezca manualmente el módulo B plus (apague la unidad y vuelva a encenderla pasado un tiempo).

Tabla 1: Código de parpadeo de errores (código de parpadeo del LED 2 en amarillo-rojo)

Istruzioni (Italiano)

Optyma™ Plus

OP-MPS, OP-MPT, OP-LPV, OP-LPK e OP-MPI



La centralina elettrica Optyma™ Plus ha il grado di protezione IP54 per evitare una rapida migrazione del refrigerante A2L. È necessario eseguire la manutenzione delle tenute e ripararne opportunamente gli eventuali danni. (Vedere sezione 8 - Sicurezza)

Lo sportello della centralina elettrica deve essere sempre chiuso durante il funzionamento e dopo la riparazione/manutenzione periodica.

Installazione e manutenzione dell'unità condensatrice devono essere eseguite solo da personale qualificato. Seguire queste istruzioni e le valide procedure dell'ingegneria di refrigerazione relative a installazione, messa in servizio, manutenzione e riparazione.

L'unità condensatrice deve essere utilizzata solo per lo scopo previsto, nel suo ambito di applicazione e secondo le istruzioni. Refrigerante da utilizzare in base alle specifiche del modello.

È necessario rispettare in ogni circostanza i requisiti della norma EN378 o di altre normative di sicurezza locali applicabili.

L'unità condensatrice viene consegnata pressurizzata con azoto (2 bar(g)) e quindi non può essere allacciata in queste condizioni; vedere la sezione «Installazione» per ulteriori dettagli.

Maneggiare l'unità condensatrice con cautela, in posizione verticale (massimo offset rispetto alla verticale: 15°).

Le unità condensatrici possono essere utilizzate con refrigeranti A2L, prestando particolare attenzione durante l'installazione e la manutenzione.

Nel caso di refrigeranti A2L, tutti i componenti del circuito di refrigerazione devono essere certificati A2L. Esempio: Evaporatore e valvola di espansione.

Per i modelli di categoria PED I: La valvola limitatrice di pressione deve essere montata nel sistema del refrigerante durante l'installazione sul campo. La valvola PRV deve essere montata sul serbatoio di accumulo.

Per i modelli di categoria PED II: La valvola limitatrice di pressione è montata in fabbrica con un'unità condensatrice sul serbatoio di accumulo del liquido, con pressione impostata su 34,5 ± 1 bar. (Vedere la sezione 3.1 - Valvola PRV)

Il funzionamento della valvola Rotolock del ricevitore deve essere azionato da un operatore professionista addestrato/qualificato. Assicurarsi che tutte le valvole rotolock siano aperte durante il funzionamento della CU.

Standard e direttiva pertinenti

EN 378-2:2016: Impianti di refrigerazione e pompe di calore – Requisiti di sicurezza e ambientali

EN 60335-1: Elettrodomestici e apparecchi simili – Sicurezza – Parte 1: Requisiti generali

EN IEC 61000-6-8:202: Compatibilità elettromagnetica (EMC) Parte 6-8: Norme generiche

EN 60335-2-40: Elettrodomestici e apparecchi simili

EN 60335-2-80: Elettrodomestici e apparecchi simili

Direttiva sulla bassa tensione n. 2014/35/UE

Direttiva Macchine n. 2006/42 /CE

Direttiva Attrezzature a Pressione (PED) n. 2014/68/UE

Direttiva RoHS 2011/65/UE

Direttiva RAEE 2012/19/UE

(Altre norme locali applicabili)

1 – Introduzione

Queste istruzioni riguardano le unità condensatrici Optyma™ Plus OP-MPS, OP-MPT, OP-LPV, OP-LPK e OP-MPI utilizzate nei sistemi di refrigerazione. Forniscono le informazioni necessarie in materia di sicurezza e uso corretto del prodotto.

L'unità condensatrice include i seguenti componenti:


- Scambiatore di calore a microcanali
- Compressore alternativo o scroll
- Ricevitore con valvola di arresto
- Valvole a sfera con valvola Schrader
- Spia liquido (attacchi a cartella)
- Trasduttori della pressione di aspirazione e di scarico
- Pressostati di alta e bassa pressione
- Filtro essiccatore (attacchi a cartella)
- Regolatore elettronico
- Interruttore principale (con protezione da sovraccarico)
- Condensatori di ventilatore e compressore
- Contattore del compressore
- Robusto involucro impermeabile
- Pannello elettrico completamente precablato IP54
- Ventilatore CA per modelli H1 e H2
- Ventilatore EC per modelli H3 e H4
- La valvola PRV è montata nei modelli di categoria PED II (Scheda tecnica - Allegato - A)
- I componenti collegati sono dotati di una porta Schrader
- Regolatore iniezione di liquido (Modulo B Plus)*
- Valvola di espansione elettronica (ETS6) per l'iniezione di liquido*

* Solo per i modelli versione P02

2 – Movimentazione e conservazione

- Non brasarne fintantoché l'unità condensatrice è sotto pressione.
- I refrigeranti A2L sono più pesanti dell'aria. Danfoss raccomanda di installarli sopra il livello del suolo. Fare riferimento all'Allegato A.
- Si consiglia di non aprire l'imballaggio prima di aver trasportato l'unità nel luogo finale d'installazione.
- Maneggiare l'unità con cautela. L'imballaggio consente l'utilizzo di un carrello elevatore o di un carrello trasportatore. Utilizzare apparecchiature di sollevamento adeguate e sicure.
- Stoccare e trasportare l'unità in posizione verticale.
- Stoccare l'unità a una temperatura compresa tra -35 °C e 50 °C.
- Non esporre l'imballaggio a pioggia o ad atmosfere corrosive.
- Dopo il disimballaggio, controllare che l'unità sia completa e priva di danni.

3 – Precauzioni per l'installazione

	Non brasarne se l'unità condensatrice è sotto pressione.
	Posizionare l'unità in modo che non blocchi o ostruisca zone di transito, porte, finestre, ecc.
	I refrigeranti A2L sono più pesanti dell'aria. Installare l'unità sopra il livello del pavimento per avere una buona ventilazione del vano compressore.



PRV: Nei modelli di categoria PED II, la valvola PRV viene fornita installata. Per i modelli di categoria PED I, la valvola PRV deve essere montata sul campo durante l'installazione.

- Assicurarsi che attorno all'unità vi sia spazio sufficiente per la circolazione dell'aria e per aprire le porte. Fare riferimento all'Allegato A per i valori minimi di distanza dalle pareti.
- Non installare l'unità in luoghi quotidianamente esposti alla luce solare diretta per lunghi periodi.
- Non installare l'unità in ambienti aggressivi e polverosi.
- Assicurarsi che l'unità sia installata su una superficie orizzontale ((inclinazione inferiore a 3°), sufficientemente solida e stabile da supportare il peso dell'intera unità (utilizzare gommini, cuscinetti e supporti) prevenendo vibrazioni e altre interferenze.
- La temperatura ambiente dell'unità non deve superare i 63 °C durante il ciclo di spegnimento.
- Assicurarsi che l'alimentazione corrisponda alle caratteristiche dell'unità (vedere targhetta).
- Se si installa l'unità per l'uso con refrigeranti R454C, R455A e R1234yf, utilizzare attrezzature specifiche per refrigeranti A2L, che non siano state mai utilizzate per altri refrigeranti HFO, CFC o HCFC.
- Utilizzare tubi di rame/alluminio puliti e disidratati, con spessore adeguato e materiale per la brasatura in lega d'argento.
- Utilizzare componenti di sistema puliti e deidratati.
- Le tubazioni collegate al compressore devono essere flessibili in tre dimensioni per smorzare le vibrazioni.

Istruzioni

Il sistema delle tubazioni deve essere inoltre configurato in modo da garantire il ritorno dell'olio per il compressore e da eliminare il rischio di formazione di morchia nel compressore.

- Nell'unità condensatrice Optyma è presente una valvola di aspirazione e di servizio del liquido con porta Schrader per le operazioni di assistenza sul campo
- Le unità Optyma Plus codici 114X34-- e 114X44-- dispongono di due ricevitori in linea con valvole. Accertarsi che entrambe le valvole siano aperte prima dell'avvio.

3.1 – Valvola PRV

	Per Optyma™ Plus, le unità condensatrici che rientrano nella categoria PED II, la valvola PRV viene preimpostata in fabbrica su 34,5 ±1 bar. (Vedere i Dati tecnici per la categoria PED nell'Allegato A).
	Per Optyma™ Plus, le unità condensatrici che rientrano nella categoria PED I, è necessario installare la valvola PRV (vedere i Dati tecnici per la categoria PED nell'Allegato A).
	La valvola PRV viene utilizzata come dispositivo di limitazione dei danni, non come dispositivo di limitazione della pressione.

- La valvola PRV deve essere montata sul serbatoio di accumulo del liquido con attacco 3/8" NPT. (Fare riferimento a Coolelector2 per il codice parte di ricambio PRV). Utilizzare Loctite 554 per l'installazione della valvola PRV.
- Coppia: 40Nm (non superare la coppia indicata)



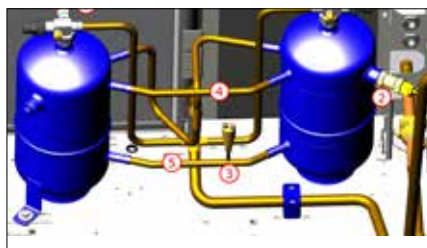
- Spetta all'installatore scegliere il punto in cui soffiare via il refrigerante fuoriuscito. Danfoss consiglia di soffiare via il refrigerante dall'unità condensatrice.
- Si consiglia di sostituire la valvola PRV dopo lo scarico, cambiando il refrigerante
- Non rimuovere la tenuta e non tentare di resettare la valvola.
- Le valvole devono essere installate verticalmente o orizzontalmente, assicurandosi che la valvola PRV sia montata sopra il livello del liquido del sistema.
- Verificare che il refrigerante venga rilasciato direttamente nell'atmosfera in modo sicuro.
- In caso di pericolo, è stato progettato un kit di ricambio aggiuntivo per raccogliere il refrigerante rilasciato. Installare il kit con un sistema di tubazioni adeguato per scaricare il refrigerante in modo sicuro (vedere l'immagine sottostante).



- La valvola PRV non deve essere installata sulla valvola di servizio.
- Sostituire la valvola PRV dopo la pulizia del sistema o dopo che è stata spenta.
- I giunti e le valvole rimovibili non devono essere accessibili al pubblico. Tutti i giunti brasati devono essere conformi alla norma EN 14276-2, mentre gli altri giunti permanenti devono essere conformi alla

norma EN-16084.

- Le unità Optyma Plus codici 114X34-- e 114X44-- dispongono di una valvola PRV montata su uno dei ricevitori. Sull'altro ricevitore è installato un tappo cieco.



- Trasmettitore di pressione HP
- Valvola limitatrice di pressione
- Pressostato ACB
- Porta di equalizzazione del gas
- Porta di equalizzazione del liquido

4 – Installazione

- L'installazione/manutenzione delle unità condensatrici Optyma™ Plus deve essere eseguita da personale qualificato nel rispetto delle normative locali/internazionali applicabili e con i corretti Dispositivi di protezione individuale (DPI) per l'utente.
- L'impianto in cui l'unità condensatrice viene installata deve essere conforme alla direttiva sulle apparecchiature a pressione (PED) 2014/68/UE. L'unità condensatrice di per sé non è considerata un'«unità» nel campo di applicazione della direttiva.
- L'unità deve essere installata fin dall'inizio in modo sicuro su un supporto stabile, rigido e fisso. Fare riferimento all'Allegato A.
- Si consiglia di installare l'apparecchio su gommini antivibrazione o smorzatori di vibrazioni (non forniti).
- È possibile impilare le unità una sopra l'altra.

Unità	Impilamento massimo
Involucro 1 (Codice n. 114X31-- o 114X41--)	3
Involucro 2 (Codice n. 114X32- o 114X42--)	2
Involucro 3 (Codice n. 114X33- o 114X43--)	2
Involucro 4 (Codice n. 114X34- o 114X44--)	2

- Quando si impilano le unità, quella superiore deve essere fissata a parete, come mostrato in Figura 2.
- Rilasciare lentamente la carica di mantenimento dell'azoto attraverso la porta Schrader.
- Collegare l'unità al sistema il più presto possibile per evitare la contaminazione dell'olio da parte dell'umidità ambientale.
- Evitare l'ingresso di materiale nel sistema mentre si tagliano i tubi. Non praticare mai fori dove non è possibile eliminare le bave.
- Eseguire la brasatura con estrema cautela, impiegando la tecnica più all'avanguardia e sfatare la tubazione con flusso di gas d'azoto.
- Collegare i dispositivi di sicurezza e di controllo necessari. Se per tale scopo si utilizza la porta Schrader, rimuovere il tappo cieco.
- Si raccomanda di isolare il tubo di aspirazione dall'evaporatore fino all'ingresso del compressore con materiale isolante di 19 mm di spessore.
- Verificare che non vi siano refrigerante o danni all'interno dell'unità e crepe nei tubi.
- Assicurarsi che tutti i componenti all'interno della centralina elettrica siano protetti dai sovraccarichi elettrici e "non da fonti di accensione" da parte del rispettivo costruttore per i refrigeranti approvati.
- Il cablaggio sul campo deve passare solo attraverso i premistoppa IP65 e la piastra ingresso cavo. È severamente vietato trapanare o perforare i lati del

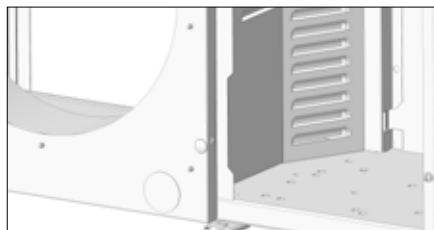
quadro elettrico.

- Per il cablaggio sul campo, praticare solo il foro richiesto. Non lasciare alcun foro senza cavo al suo interno. Se si verificano perforazioni indesiderate/involontarie, sostituire l'intera piastra passacavi.

118U5258 - Parte di ricambio, pressacavo



- Il pannello divisorio e la piastra di base sono dotati di aperture dedicate per la pre-ventilazione; non sigillare/ostuire/chiedere mai le aperture.



- In caso di perdite incerte, per evitare una concentrazione di refrigerante nel vano compressore, il ventilatore si avvia prima del compressore con un ritardo di 30 secondi per i compressori.
- Il materiale delle tubazioni in rame deve essere conforme alla norma EN12735-1. Tutti i giunti dei tubi devono essere conformi alla norma EN14276-2
- Al momento dell'installazione, viene aggiunto un supporto in base alle dimensioni e al peso. Distanza massima consigliata per il supporto del tubo secondo le norme EN12735-1 ed EN12735-2
- I tubi di collegamento devono essere posizionati prima di aprire le valvole, per consentire al refrigerante di fluire tra le parti del sistema di refrigerazione.

5 – Rilevamento di perdite

	Non pressurizzare mai il circuito con ossigeno o aria secca. Ciò potrebbe causare incendio o esplosione.
--	--

- Non utilizzare coloranti per il rilevamento delle perdite.
- Eseguire una prova di tenuta su tutto il sistema.
- Pressione di test massima: 25 bar.
- Se si rileva una perdita, ripararla e ripetere il test di tenuta.

6 – Disidratazione sottovuoto

- Non utilizzare mai il compressore per evacuare il sistema.
- Collegare una pompa per vuoto al lato di alta e di bassa pressione per un'evacuazione più rapida ed efficiente.
- La pompa a vuoto deve essere certificata per l'uso in ambiente con refrigerante A2L oppure certificata ATEX.
- Evacuare il sistema a una pressione di 500 µm Hg (0,67 mbar) assoluti.
- Non utilizzare un megaohmetro né ricollegare l'alimentazione elettrica al compressore mentre è sotto vuoto, poiché ciò può causare danni interni.

7 – Collegamenti elettrici

- Verificare che tutti i collegamenti elettrici all'interno dell'unità condensatrice siano correttamente allacciati, poiché potrebbero essersi allentati durante il trasporto.
- Scollegare e isolare l'alimentazione di rete.
- Assicurarsi che l'alimentazione non possa essere attivata durante l'installazione.

Istruzioni

- Tutti i componenti elettrici devono essere selezionati in base alle norme EN60335-1, EN60204 o alle normative locali applicabili e ai requisiti dell'unità.
- Consultare lo schema elettrico per i dettagli relativi ai collegamenti elettrici.
- **Tutti i componenti elettrici devono essere qualificati per l'uso con refrigeranti A2L e "nessuna fonte di accensione".**
- Assicurarsi che l'alimentazione corrisponda alle caratteristiche dell'unità e che sia stabile (tolleranza tensione consentita $\pm 10\%$ e tolleranza frequenza consentita $\pm 2,5$ Hz).
- I cavi di alimentazione devono essere conformi ai dati dell'unità per quanto riguarda tensione, corrente e condizioni ambientali. Fare riferimento alla targhetta per informazioni su tensione e corrente.
- Proteggere il cavo di alimentazione elettrica e garantire una corretta messa a terra.
- Effettuare il collegamento all'alimentazione in base agli standard locali e ai requisiti legali.
- L'unità è dotata di un regolatore elettronico. Fare riferimento al manuale 118U3808 per i dettagli.
- L'unità è dotata di un interruttore principale con protezione da sovraccarico e da cortocircuito. La protezione da sovraccarico è preimpostata in fabbrica, ma si consiglia di controllare il valore prima di mettere in funzione l'unità. Il valore della protezione da sovraccarico è reperibile nello schema elettrico ubicato sullo sportello anteriore dell'unità.
- L'unità è dotata di pressostati di alta e bassa pressione che interrompono direttamente l'alimentazione al compressore in caso di attivazione. I parametri per l'interruzione dell'alimentazione in caso di attivazione dei pressostati sono preimpostati nel regolatore, adattato al compressore installato nell'unità.
- I modelli versione P02 (OP-xxxxxxxP02E) sono dotati di scheda elettronica per il funzionamento della valvola di espansione elettronica per l'iniezione di liquido (Modulo B Plus). Fare riferimento alla sezione "Guida utente del modulo B Plus" del presente manuale.
- La frequenza di avvio dell'unità condensatrice Optyma™ Plus deve essere limitata per i compressori alternativi.
 - Senza condensatore di avviamento massimo 5 avviamenti all'ora.
 - Con condensatore di avviamento massimo 10 avviamenti all'ora.

8 – Protezione

	Lo sportello della centralina elettrica deve essere chiuso prima del collegamento all'alimentazione.
	La temperatura del tubo di scarico raggiunge i 120 °C durante il funzionamento dell'unità.
	Si consiglia di installare la valvola PRV all'interno dell'unità e di rilasciare il refrigerante direttamente nell'atmosfera.
	Codici unità Optyma plus 114X34-- e 114X44--, Pressostato di alta pressione montato dopo il ricevitore. Se le valvole Rotolock sono chiuse durante il ciclo di pump down, l'interruttore HP non scatta.

L'unità è dotata di ricevitore per liquidi con adattatore provvisto di attacco NPT da 3/8". L'installatore/utente finale può selezionare diverse opzioni, come indicato nella norma EN378-2: 2016 Articolo 5 6.2.2.3

- L'unità/impianto su cui è integrata/montata l'unità condensatrice deve essere conforme alla direttiva sulle apparecchiature a pressione (PED).
- Prestare attenzione ai componenti estremamente caldi o freddi.
- Prestare attenzione ai componenti in movimento. Scollegare l'alimentazione durante la

manutenzione.

- Come da regolamento UE sui gas fluorurati, R1234yf, R454C e R455A sono considerati refrigeranti A2L. Le unità Optyma™ Plus sono idonee per R1234yf, R454C e R455A. Adottare tutte le precauzioni e le misure di sicurezza necessarie prima e dopo l'installazione.
- Tutti i componenti devono essere compatibili con i refrigeranti specificati in base ai codici delle unità condensatrici Optyma™ Plus. Fare riferimento all'Allegato A
- Per evitare l'arco elettrico tra i pin del connettore ermetico, non avviare il compressore e non eseguire test elettrici di tale resistenza dielettrica mentre il sistema di refrigerazione è sotto vuoto.
- Le unità condensatrici Optyma™ Plus sono dotate di pre-ventilazione, tramite ventilatore del condensatore, prima dell'avvio del compressore (30 secondi).
- Danfoss raccomanda sempre di utilizzare la scatola elettrica IP54 principale. In caso di danni alla guarnizione in gomma (mostrata di seguito), il cliente deve sostituirla immediatamente.
- Il compressore è dotato di protezione da sovraccarico interna (OLP). Protegge contro una pressione del compressore che supera i 32 bar.



- Nessuna valvola e nessun giunto smontabile devono essere posizionati in aree accessibili al pubblico, a meno che non siano conformi alla norma EN 16084
- Le tubazioni del refrigerante devono essere protette o chiuse per evitare danni.
- Le tubazioni sul campo devono essere installate lontano da ambienti corrosivi o salini per evitare la corrosione nelle tubazioni in rame/alluminio.
- In caso di incendio, la pressione aumenta a causa dell'aumento della temperatura nel serbatoio di accumulo. Pertanto, è molto importante installare la valvola PRV.
- Per i codici 114X34-- e 114X44--, è previsto un fincorsa per porta, per motivi di sicurezza. Non rimuovere o modificare la connessione.

9 – Riempimento del sistema

- Non avviare mai il compressore sotto vuoto. Tenere spento il compressore.
- Utilizzare solo refrigeranti per i quali l'unità è stata progettata.
- Prima di rabboccare il refrigerante nell'unità condensatrice Optyma™ Plus, indossare dispositivi di protezione individuale (DPI) appropriati.
- Se è necessario olio aggiuntivo, fare riferimento alla targhetta del compressore per il tipo d'olio. Prima del rabbocco, consultare la guida all'applicazione del compressore per il limite minimo del livello dell'olio.
- Per i refrigeranti con glide di temperatura, come R454C, R455A, R448A, R449A e R452A, utilizzare una valvola liquido nel cilindro del refrigerante da caricare.
- Riempire con refrigerante in fase liquida nel condensatore o nel ricevitore di liquido. Assicurare una carica lenta del sistema a 4 – 5 bar per R404A/R507, R407A, R407F, R448A/R449A, R452A, R454C, R455A e circa 2 bar per R134a, R513A e R1234yf.
- Portare a termine la carica solo quando l'impianto ha raggiunto un livello di condizione nominale stabile

durante il funzionamento.

- Non lasciare mai il cilindro collegato al circuito durante il riempimento.
- Non immettere refrigerante liquido nella linea di aspirazione.
- Non è consentito aggiungere additivi all'olio e/o al refrigerante.
- Quando si carica il refrigerante A2L, assicurarsi che l'area di carica sia ben ventilata.
- Il ricevitore del liquido è dotato di una valvola Rotolock per la manutenzione. Come impostazione di fabbrica, la valvola sarà in posizione completamente APERTA. Durante la manutenzione e il pump down, la valvola deve essere ruotata in senso orario fino a quando non è in posizione completamente CHIUSA.
- Valvole di aspirazione, valvole del liquido e valvole Rotolock del serbatoio di accumulo come porta Schrader, per operazioni di servizio quali carica del gas e misurazione della pressione.

10 – Impostazione del regolatore elettronico

	Modificare il parametro o37 del regolatore in 1 in caso di retrofit dell'SPPR (relè di monitoraggio alimentazione). Se si aggiunge l'opzione SPPR per proteggere il compressore, modificare l'impostazione o37 da 0 a 1
	Per i modelli versione P02 (OP-xxxxxxxP02E) i valori o30 sono solo 19= R404A/40=R448A/41=R449A/51=R454C/52 = R455A nel regolatore

Fluidi del gruppo	Refrigerante	Parametri di funzionamento (o61*)
A2L	R455A & R454C	LLZ013, LLZ015, LLZ018, LLZ024 & LLZ034 = 19 MLZ058 & MLZ076 = 18
A1	R404A/R507, R452A, R448A & R449A	LLZ013 = 43 LLZ015 = 44 LLZ018 = 45 LLZ024 = 39 LLZ034 = 40 MLZ058 = 37 MLZ076 = 38

* Riferirsi al manuale di installazione ed utilizzo di Optyma™ plus (BC0872864252802)

- L'unità è dotata di un regolatore elettronico programmato in fabbrica con i parametri da utilizzare con l'unità corrente. Fare riferimento al manuale 118U3808 per i dettagli.
- Per impostazione predefinita, il display del regolatore elettronico mostra il valore della temperatura della pressione di aspirazione in °C. Per visualizzare il valore della temperatura per la pressione di condensazione, premere il pulsante inferiore Allegato A; Figura 3.
- Rimuovere il morsetto DI1 del regolatore (ingresso termostato ambiente) per evitare avviamenti indesiderati del compressore. Riposizionarlo dopo aver completato le impostazioni.

Il regolatore elettronico è preimpostato in fabbrica per R404A o R449A o R452A o R134a a seconda del modello di compressore montato e dell'applicazione (consultare il manuale di installazione 118U3808 del regolatore Optyma™). Se si utilizza un altro refrigerante, l'impostazione del refrigerante deve essere modificata.

- Premere il pulsante superiore per un paio di secondi. Appare la colonna con i codici di parametro.
- Il parametro r12 deve essere impostato prima su 0 (interruttore principale software = off).
- Premere il pulsante superiore o inferiore per individuare il codice parametro o30.

Istruzioni

- Premere il pulsante centrale finché non viene visualizzato il valore di questo parametro.
- Premere il pulsante superiore o inferiore per selezionare il nuovo valore: 3 = R134a.17 = R507. 19 = R404A. 20 = R407C. 21 = R407A. 36 = R513A. 37 = R407F. 40 = R448A. 41 = R449A. 42 = R452A. 39 = R1234yf. 51 = R454C. 52 = R455A.
- Premere il pulsante centrale per confermare il valore selezionato.
- Premere il pulsante superiore o inferiore per individuare il codice parametro r84 (r84 = Temperatura di scarico massima ammissibile).
- Premere il pulsante centrale, la temperatura di scarico massima predefinita è 125 °C
- Se il cliente desidera aumentare la temperatura, deve premere il pulsante superiore per selezionare il nuovo valore: 130 °C. Premere il pulsante centrale per confermare il valore selezionato.
- La temperatura di scarico massima ammissibile (r84) non deve superare i 130 °C

Le unità Optyma Plus 114X33YY e 114X43YY sono dotate di ventilatore EC. In questo caso, il parametro F17 del regolatore Optyma Plus è stato modificato su 2 per attivare l'uscita di controllo velocità ventilatore 0-10 V. Come impostazione di fabbrica, il parametro F19 della velocità ventilatore è impostato sull'80% per limitare la velocità del ventilatore e la rumorosità nelle aree residenziali. Gli installatori possono aumentare questa velocità massima fino al 100%, se non vi sono limiti di rumorosità. Solo per i modelli versione P02, l'ingresso digitale DI2 dal regolatore viene collegato al modulo B+. Esso fornisce l'allarme che arresta il compressore in caso di guasto al modulo B+. Il parametro o37 del regolatore deve essere impostato su 1.

La variazione di velocità del ventilatore EC sarà controllata dal regolatore Optyma Plus, misurando la differenza tra la temperatura ambiente e la temperatura di condensazione saturo (punto di rugiada). Quanto minore è la differenza, tanto maggiore sarà la velocità. L'impostazione predefinita di fabbrica è 8 K. L'intervallo regolabile è di 2-20 K. Per regolarlo, dalla schermata iniziale del regolatore Optyma (che mostra la temperatura di aspirazione saturo), premere il pulsante centrale e variare il valore con il tasto superiore o inferiore.

11 – Verifica prima della messa in servizio

	Utilizzare dispositivi di sicurezza, come un pressostato di sicurezza e una valvola di sicurezza meccanica (non in dotazione), conformemente alle norme locali applicabili e agli standard di sicurezza. Assicurarsi che siano operativi e adeguatamente regolati.
	Verificare che le impostazioni dei pressostati di alta pressione e delle valvole di sicurezza non superino la pressione massima di esercizio di qualsiasi componente dell'impianto.

- Prima di avviare l'unità condensatrice, assicurarsi che le valvole dei ricevitori e la valvola a sfera siano completamente aperte.
- Verificare che tutti i collegamenti elettrici all'interno dell'unità condensatrice siano correttamente allacciati, poiché potrebbero essersi allentati durante il trasporto.
- Quando è necessaria una resistenza carter, l'unità deve essere alimentata almeno 12 ore prima dell'avvio iniziale e dopo un arresto prolungato per resistenze carter del tipo a cinghia.
- Fissare saldamente la resistenza carter all'involucro del compressore. Assicurarsi che non cada e che non si ecciti nell'aria.
- Chiudere saldamente lo sportello del quadro elettrico utilizzando la manopola sul pannello dello sportello.

- Tutti i tubi di interconnessione con l'unità condensatrice Optyma™ Plus (liquido e aspirazione) devono essere correttamente dimensionati a seconda della posizione dell'evaporatore.
- La caduta di pressione nelle tubazioni della linea di aspirazione e del liquido deve essere valutata in base alla posizione e alla distanza dell'evaporatore (fare riferimento a coolselector2).
- La pressione di aspirazione/scarico delle unità condensatrici Optyma™ Plus deve rientrare nel campo di funzionamento; non utilizzare mai la pressione di aspirazione dell'unità condensatrice al di sotto della pressione assoluta (vuoto).
- L'unità è dotata di un interruttore principale con protezione da sovraccarico e da cortocircuito. La protezione da sovraccarico è preimpostata in fabbrica, ma si consiglia di controllare il valore prima di mettere in funzione l'unità. Il valore della protezione da sovraccarico può essere reperito nello schema elettrico sullo sportello anteriore dell'unità.
- Controllare se il sensore temperatura di scarico è stabile ed è dotato di contatto corretto con tubo di mandata.
- Assicurarsi di aver letto le linee guida per l'installazione fornite con l'unità condensatrice
- Utilizzare solo i refrigeranti corretti indicati sulla targhetta.
- Controllare il livello dell'olio del compressore
- Verificare che tutte le valvole di servizio siano aperte.
- Assicurarsi che il trasmettitore di alta pressione sia aperto verso il sistema.
- Verificare che tutti i collegamenti meccanici siano serrati.
- Controllare che tutte le impostazioni di sovraccarico elettrico siano corrette.

12 – Avviamento

- Non avviare l'unità priva di carica refrigerante.
- Tutte le valvole di servizio devono essere in posizione aperta.
- La valvola Rotalock sul ricevitore deve essere completamente aperta. Ruotare in senso antiorario per aprire completamente.
- Verificare la conformità tra l'unità e l'alimentatore.
- Verificare che la resistenza carter funzioni.
- Verificare che il ventilatore ruoti liberamente.
- Verificare che la protezione sia stata rimossa dalla parte posteriore del condensatore.
- Bilanciare la pressione alta/bassa.
- Eccitare l'unità. Il ventilatore del condensatore deve avviarsi immediatamente e, dopo 30 secondi di ritardo, si avvia il compressore (pre-ventilazione).
- L'eventuale rotazione inversa di un compressore trifase può essere rilevata osservando i seguenti fenomeni: il compressore non accumula pressione, ha un livello sonoro insolitamente elevato e un consumo energetico insolitamente basso. In tal caso, spegnere immediatamente l'unità e collegare le fasi ai morsetti corretti.
- Se il senso di rotazione è corretto, l'indicazione di bassa pressione sul regolatore (o manometro di bassa pressione) deve indicare una pressione in diminuzione e l'indicazione di alta pressione (o manometro di alta pressione) deve indicare una pressione in aumento (solo durante l'avvio).

13 – Controlli dell'unità in funzione

- Controllare il senso di rotazione del ventilatore. L'aria deve fluire dal condensatore verso il ventilatore.
- Controllare l'assorbimento di corrente e la tensione.
- Controllare il surriscaldamento dell'aspirazione per ridurre il rischio di colpo di liquido.
- Se è presente una spia liquido del compressore, osservare il livello dell'olio all'avviamento e durante il funzionamento per verificare che rimanga visibile.
- Rispettare i limiti di funzionamento.

- Le unità condensatrici Optyma™ Plus sono progettate per funzionare fino a 43 gradi Celsius. Durante il funzionamento normale o il funzionamento di picco, la temperatura di condensazione del punto di rugiada saturo non deve superare i 63 gradi Celsius per R404A/R507, R448A, R449A, R452A, R454C, R455A. La temperatura di condensazione del punto di rugiada saturo non deve superare i 65 gradi Celsius per R134a, R513A e R1234yf.
- Verificare che nessun tubo presenti vibrazioni anomale. I movimenti superiori a 0,15 mm richiedono misure correttive, come l'installazione di staffe per tubi.
- Se necessario, si può aggiungere altro refrigerante in fase liquida sul lato bassa pressione, il più lontano possibile dal compressore. Il compressore deve essere operativo durante questo processo.
- Non sovraccaricare il sistema.
- Seguire le norme locali per ripristinare il refrigerante nell'unità.
- Non rilasciare mai refrigerante nell'atmosfera.
- Prima di lasciare il luogo di installazione, effettuare un'ispezione generale dell'impianto in termini di pulizia, rumore e rilevamento delle perdite.
- Annotare il tipo e la quantità di carica di refrigerante, insieme alle condizioni d'esercizio, come riferimento per le ispezioni future.
- Controllare pressione e temperatura di aspirazione e scarico
- Carica di refrigerante e correnti di esercizio dei motori per garantire il corretto funzionamento
- Controllare il surriscaldamento dell'aspirazione del compressore per ridurre il rischio di colpo di liquido
- Far funzionare il sistema per 3 – 4 ore. Controllare il livello dell'olio compressore e rabboccare con il tipo di olio corretto, come indicato sulla targhetta dati dell'unità e del compressore
- Ricontrollare il livello dell'olio compressore dopo 24 ore di funzionamento
- Eseguire la prova di tenuta finale e assicurarsi che tutti i coperchi siano montati e tutte le viti siano serrate
- Etichettatura completa del refrigerante per la conformità agli standard locali
- I compressori Scroll possono funzionare a un massimo di 12 cicli di avvio/arresto all'ora.
- I compressori alternativi possono funzionare a un massimo di 10 cicli di avvio/arresto all'ora.
- Assicurarsi che la manutenzione venga eseguita conformemente alle istruzioni di installazione

14 – Funzionamento di emergenza senza regolatore

In caso di guasto del regolatore, l'unità condensatrice può continuare a funzionare se il cablaggio standard del regolatore viene modificato in cablaggio temporaneo, come descritto di seguito.

	Questa modifica può essere effettuata solo da un elettricista autorizzato. È necessario attenersi alle leggi nazionali.
	Scollare l'unità di condensazione dall'alimentazione elettrica (disattivare l'interruttore principale)
	Sostituire il regolatore il prima possibile per evitare una riduzione della vita utile.

- Il contatto del termostato ambiente a 24 - 25 (ovvero DI1) deve essere in grado di commutarsi su 250 V CA.
- Rimuovere il cavo 22 (ingresso di sicurezza DI3) e il cavo 24 (termostato ambiente DI1), quindi unirli utilizzando una morsetteria isolata di 10mm² e 250 V CA.
- Rimuovere il cavo 25 (termostato ambiente DI1) e il cavo 11 (alimentazione compressore) quindi unirli utilizzando una morsetteria isolata di 10mm² e 250 V CA.
- Rimuovere il cavo 6 e collegarlo alla morsetteria per il cavo 11 e 25. Un pressostato ventilatore o

Istruzioni

un regolatore velocità ventilatori possono essere collegati in serie al cavo 6.

- Rimuovere il cavo 14 (resistenza carter) e collegarlo al morsetto 22 del contattore del compressore.
- Rimuovere il cavo 12 (alimentazione resistenza carter), allungarlo utilizzando una morsettiera di 10 mm² e 250 V CA e un cavo marrone di 1,0 mm² e collegarlo al morsetto 21 del contattore del compressore
- Staccare la morsettiera grande dai morsetti da 10 a 19 del regolatore.
- Collegare l'unità condensatrice all'alimentazione elettrica (accendere l'interruttore principale hardware).
- Per l'unità 114X33YY e 114X43YY con ventilatore EC, aprire la morsettiera del ventilatore e collegare l'ingresso di velocità del ventilatore 0-10V al morsetto di alimentazione 10V.

15 - Manutenzione

	<p>Scollegare sempre l'alimentazione dall'unità condensatrice disinserendo l'interruttore principale prima di aprire il pannello del ventilatore</p>
	<p>La pressione interna e la temperatura superficiale sono pericolose e possono causare lesioni permanenti. Gli operatori addetti alla manutenzione e gli installatori necessitano di DPI, competenze e strumenti appropriati per svolgere l'attività di manutenzione. La temperatura della tubazione può superare i 100 °C e può causare ustioni gravi.</p>
	<p>Eeguire ispezioni periodiche per garantire l'affidabilità del sistema, come richiesto dalle norme locali.</p>

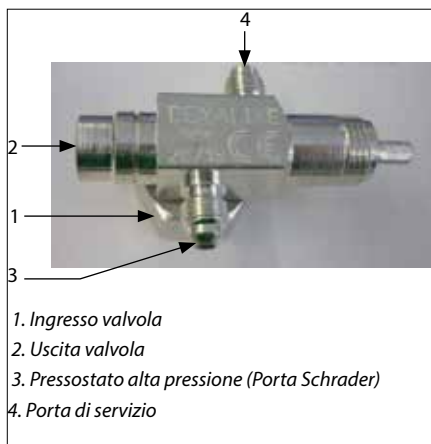
Per prevenire problemi all'impianto, a seguito della manutenzione periodica è consigliabile:

- Verificare che i dispositivi di sicurezza siano in funzione e correttamente impostati.
- Assicurarsi che il sistema sia a tenuta.
- Controllare l'assorbimento di corrente del compressore.
- Verificare che il sistema funzioni in modo coerente con i libretti di manutenzione precedenti e con le condizioni ambientali.
- Verificare che tutti i collegamenti elettrici siano sempre saldamente allacciati.
- Mantenere pulita l'unità e verificare l'assenza di ruggine e ossidazione sui componenti dell'unità, sui tubi e sui collegamenti elettrici.
- La superficie dello scambiatore di calore a microcanali deve essere opportunamente pulita per evitare ostruzioni. Controllare il condensatore almeno una volta all'anno, per rilevare possibili intasamenti, e pulirlo, se necessario. Si accede all'interno del condensatore attraverso lo sportello del ventilatore. Lo sporco tende ad accumularsi sulla superficie delle bobine dei microcanali e non all'interno; quindi sono più facili da pulire rispetto ai modelli convenzionali (ad alette e tubi).
- Prima di aprire il pannello del ventilatore, scollegare l'alimentazione dall'unità condensatrice disinserendo l'interruttore principale.
- Tutte le apparecchiature elettriche, i DPI e gli utensili devono essere compatibili e approvati per l'uso con i refrigeranti A2L come R454C, R455A e R1234yf.
- Rimuovere lo sporco superficiale, foglie, fibre, ecc. con un aspirapolvere, dotato di spazzola o altro accessorio morbido. In alternativa, soffiare aria compressa attraverso la bobina dall'interno verso l'esterno e pulire con un pannello a setole morbide.

Non usare una spazzola metallica. Non colpire o raschiare la bobina con il tubo o l'ugello dell'aria.

- Controllare che le aperture nel pannello divisorio e nella piastra di base siano libere per la pre-ventilazione.
- Prima di chiudere lo sportello del ventilatore, ruotare la pala del ventilatore in posizione sicura, per evitare che lo sportello colpisca il ventilatore.

Se il sistema refrigerante è stato aperto, pulirlo con aria secca o azoto per eliminare l'umidità e installare un nuovo filtro essiccatore. Se occorre spurgare il refrigerante, adottare una procedura che prevenga il rilascio del refrigerante nell'ambiente.



- Valvola completamente chiusa (stelo della valvola completamente ruotato in senso orario)
-1, 3 e 4 collegati
-2 non è collegato ad altre porte
- La valvola si è aperta di alcuni giri (stelo della valvola tra aperto e chiuso)
-1, 2, 3 e 4 collegati
- Valvola completamente aperta (stelo della valvola completamente ruotato in senso antiorario)
-1, 2 e 3 collegati
-4 non è collegato ad altre porte

Mandrino completamente chiuso



Mandrino completamente aperto



16 - Dichiarazione di incorporazione

• **Direttiva sulle apparecchiature a pressione 2014/68/UE**

EN 378-2:2016 - Impianti di refrigerazione e pompe di calore - Requisiti di sicurezza e ambientali - Parte 2: Progettazione, costruzione, collaudo, marcatura e documentazione.

Direttiva sulla bassa tensione 2014/35/UE EN 60335-1:2012 + A11:2014 - Sicurezza degli apparecchi elettrici d'uso domestico e similare - Parte

1: Requisiti generali per tutte le unità condensatrici summenzionate

DIRETTIVA Ecodesign 2009/125/CE, che stabilisce un quadro di riferimento per la definizione di requisiti di progettazione ecocompatibile per i prodotti connessi all'energia.

REGOLAMENTO (UE) 2015/1095, recante misure di esecuzione della direttiva Ecodesign 2009/125/CE in merito ai requisiti di progettazione ecocompatibile degli armadi refrigerati professionali, degli abbattitori, delle unità condensatrici e dei chiller di processo.

• Le misurazioni dell'unità condensatrice vengono effettuate in conformità della norma «EN 13771-2:2017» - Compressori e unità condensatrici per la refrigerazione - Verifica delle prestazioni e metodi di prova - Parte 2: Unità condensatrici. Dichiarazione di progettazione ecocompatibile; fare riferimento a Danfoss Coolselector®2 con codice (114X...) per trovare la dichiarazione.

17 - Garanzia

Comunicare sempre il numero di modello e il numero di serie insieme a qualsiasi reclamo relativo a questo prodotto.

La garanzia del prodotto può essere invalidata nei casi seguenti:

- Assenza di targhetta.
- Modifiche esterne, in particolare forature, saldature, piedini rotti e segni di urti.
- Il compressore è aperto o viene restituito non sigillato.
- Ruggine, acqua o presenza di colorante per il rilevamento di perdite all'interno del compressore.
- Uso di un refrigerante o lubrificante non approvati da Danfoss.
- Qualsiasi deviazione dalle istruzioni raccomandate relative a installazione, applicazione o manutenzione.
- Utilizzo in applicazioni mobili.
- Utilizzo in ambiente con atmosfera esplosiva.
- Mancata comunicazione del modello e del numero di serie insieme alla richiesta di intervento in garanzia.

18 - Smaltimento

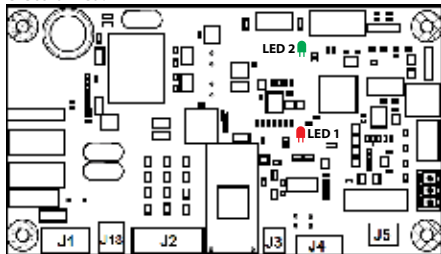


Danfoss raccomanda che le unità condensatrici e l'olio vengano riciclati da una società specializzata presso il proprio sito.

Istruzioni

19 - Modulo B Plus - Guida utente

Il modulo B Plus è una scheda elettronica utilizzata nei modelli versione P02 per l'iniezione automatica di liquido nel set scroll del compressore attraverso una valvola di espansione elettronica.



Modulo B Plus

Il modulo B Plus è coperto da un coperchio di protezione touch come mostrato nella Figura 6.

⚠ Rimuovere il coperchio di protezione touch solo se necessario. Spegnerne sempre l'unità prima di rimuovere questo coperchio.

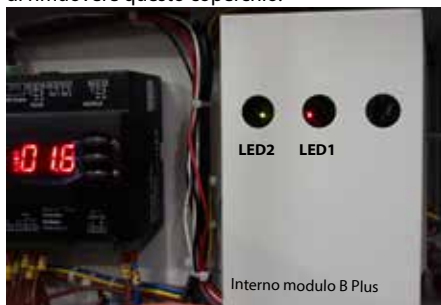


Figura 6

Applicazione

Il modulo B Plus comanda l'iniezione di liquido e controlla i seguenti parametri: temperatura gas di mandata, sequenza fasi e guasto di fase.

Descrizione funzionale

• Iniezione di liquido

- Il modulo B Plus è in grado di controllare la temperatura del gas di mandata. Il setpoint predefinito è 125 °C, ed è necessario per il funzionamento dell'unità condensatrice in un campo sicuro.

⚠ Non modificare questo setpoint.

- Quando il compressore si arresta, la valvola di iniezione di liquido si chiude entro 6 secondi.

• Protezione surriscaldamento temperatura gas di mandata

- Il sensore temperatura gas di mandata del modulo B Plus è in grado di rilevare la temperatura del gas di mandata nell'intervallo -50 - 180 °C, precisione di misurazione temperatura $\pm 0,5$ °C. Il sensore di mandata è installato a 150 mm dalla porta di mandata del compressore.

- Se la temperatura del gas di mandata è superiore al punto di intervento surriscaldamento (setpoint + 10 K) entro 1 secondo, il relè allarme (J5) si apre. Questo stato è chiamato surriscaldamento statico DGT, fare riferimento alla Tabella 1. Se la temperatura del gas di mandata è costantemente inferiore al punto di reset (setpoint -15 °C) per 5 minuti, il relè allarme (J5) si chiude. Questo ritardo di 5 minuti è chiamato ritardo di reset DGT.

- Se la temperatura del gas di mandata si surriscalda per più di 5 volte in 1 ora, il relè allarme (J5) si blocca in stato di apertura e può essere ripristinato solo resettando manualmente l'alimentazione del modulo B Plus (spegnere e riaccendere l'unità dopo alcuni minuti). Questo stato è chiamato blocco surriscaldamento DGT, fare riferimento alla Tabella 1 per l'identificazione dell'errore.

- Se si verifica un malfunzionamento nel sensore temperatura gas di mandata, cioè con sensore aperto, corto circuito sensore o fuori campo, anche il relè allarme (J5) si blocca in stato di apertura. Fare riferimento alla Tabella 1 per l'identificazione dell'errore.

• Protezione fase

- Il rilevamento della sequenza fasi e dalla fase mancante viene eseguito ogni volta che il compressore è alimentato. Se viene rilevato uno stato della fase Perdita Fase o Inversione Fase entro 4,5 - 5 sec., il relè allarme (J5) si apre e si blocca in stato di apertura. Questo blocco in stato di apertura può essere ripristinato solo resettando manualmente l'alimentazione del modulo B Plus, fare riferimento alla Tabella 1 per l'identificazione dell'errore.

• Interfaccia utente

- Quando il modulo B Plus si accende, il LED 1 di alimentazione sarà sempre di colore rosso fisso. Quando il modulo si spegne, il LED 1 di alimentazione sarà spento. Se il modulo B Plus si accende e non presenta errori, il LED 2 di stato sarà di colore verde fisso. Per la posizione

del LED 1 e del LED 2 sul modulo B Plus, fare riferimento alla Figura 6.

- Se il modulo B Plus si accende e rileva un errore, il LED 2 di stato lampeggerà alternativamente per un secondo in giallo e rosso. Per il dettaglio del codice di lampeggio, vedere la Tabella 1.

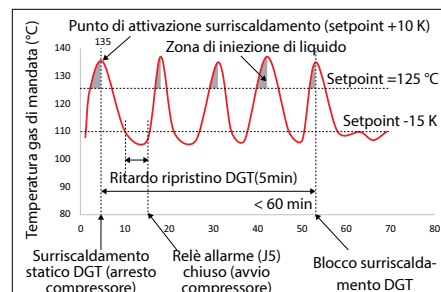
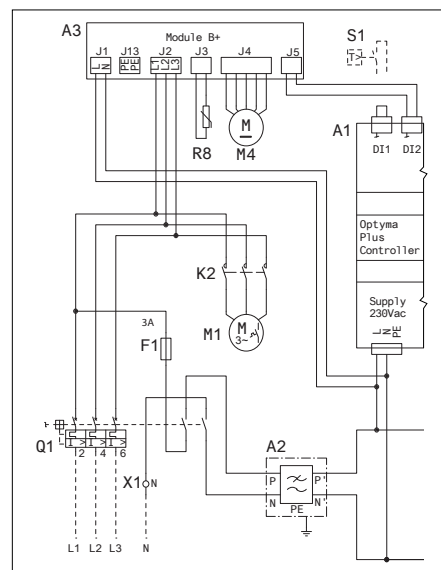


Figura 7

• Comunicazione modulo B Plus con Optyma Plus Controller.

- Quando il relè allarme (J5) si apre, il segnale viene comunicato all'ingresso digitale 2 (DI2) del regolatore Optyma, che attiva l'allarme di sicurezza (A97) in Optyma Plus Controller e l'alimentazione al compressore si arresta immediatamente.



Schema elettrico modello B Plus

Categoria	Tempi di lampeggio giallo	Tempi di lampeggio rosso	Errore	Descrizione	Azione
Temperatura del gas di mandata	1	1	Surriscaldamento statico DGT / Ritardo reset DGT	La temperatura del gas di mandata è superiore al punto di intervento per l'arresto del compressore	Controllare se il regolatore Optyma indica l'allarme di sicurezza (A97). Se sì, attendere fino a quando viene risolto automaticamente. Se questo errore si verifica spesso, controllare se l'unità sta funzionando all'interno del campo raccomandato.
		2	Blocco surriscaldamento DGT	Il surriscaldamento statico DGT si verifica 5 volte in 1 ora	Ripristinare manualmente l'alimentazione del modulo B Plus (spegnere e riaccendere l'unità dopo alcuni minuti).
		3	DGT fuori campo	DGT è al di fuori dell'intervallo normale (-50... 180 °C)	Controllare se il sensore temperatura gas di mandata è montato correttamente sulla linea di mandata. Controllare la temperatura gas di mandata sul parametro U27 di Optyma Plus Controller (deve essere tra -50 e 180 °C).
		4	Sensore DGT aperto / Corto circuito sensore DGT	Sensore temperatura gas di mandata aperto/in corto circuito	Controllare il sensore temperatura di mandata e la connessione.
Trifase	2	1	Perdita di fase	Perdita di segnale monofase	Controllare l'alimentazione trifase (J2) al modulo B Plus e verificare se manca una delle tre fasi. Se sì, eseguire la connessione corretta dell'alimentazione e ripristinare manualmente il modulo B Plus (spegnere e riaccendere l'unità dopo alcuni minuti).
		2	Inversione fase	Connessione fase non corretta	Controllare l'alimentazione trifase (J2) al modulo B Plus e verificare se le tre fasi sono in sequenza corretta. In caso contrario, correggere la connessione di alimentazione in sequenza e ripristinare manualmente il modulo B Plus (spegnere e riaccendere l'unità dopo alcuni minuti).

Tabella 1: Codice di lampeggio errore (codice di lampeggio LED 2 giallo - rosso)

Instruções (Português)

Optyma™ Plus

OP-MPS, OP-MPT, OP-LPV, OP-LPK e OP-MPI



O nível de proteção contra elementos exteriores da caixa elétrica Optyma™ Plus é IP54, para evitar a rápida migração do refrigerante A2L. É necessário manter a estanqueidade e quaisquer danos na mesma devem ser reparados de forma adequada. (Consulte a secção 8 - Segurança)

A porta E-Box deve estar sempre fechada durante o funcionamento e após a assistência/manutenção periódica.

A instalação e manutenção das unidades de condensação apenas devem ser realizadas por pessoal qualificado. Siga estas instruções, assim como as boas práticas de engenharia de refrigeração no que diz respeito à instalação, colocação em funcionamento, assistência e manutenção.

A unidade de condensação apenas deverá ser utilizada para os fins a que se destina, dentro do respetivo âmbito de aplicação e de acordo com as instruções. Refrigerante a ser usado de acordo com a especificação relativa ao modelo.

Em qualquer circunstância, terão de ser cumpridos os requisitos EN378 e outros regulamentos de segurança locais aplicáveis.

A unidade de condensação é entregue sob pressão de gás nitrogénio (2 bar (manómetro)) e, como tal, não pode ser ligada tal como está; consulte a secção «instalação» para mais pormenores.

A unidade de condensação deve ser manuseada com cuidado na posição vertical (desvio máximo da posição vertical: 15°)

As unidades de condensação podem ser utilizadas com refrigerantes A2L, devendo ser tomados os devidos cuidados durante a instalação e a manutenção.

No caso dos refrigerantes A2L, todos os componentes no circuito de refrigeração têm de possuir certificação A2L. Exemplo: Evaporador e válvula de expansão.

Para modelos PED Cat I: A válvula de descarga de pressão deve ser montada no sistema de refrigeração durante a instalação no local. A PRV deve ser montada no recipiente recetor.

Para modelos PED Cat II: A válvula de descarga de pressão está equipada de fábrica com uma unidade de condensação no recetor de líquido com uma definição de pressão de 34,5 ± 1 bar. (Consulte a secção 3.1 - Válvula PRV)

A operação da válvula Rotolock do receptor deve ser operada por um operador profissional treinado/especializado. Certifique-se de que todas as válvulas rotolock estejam abertas durante a operação da CU.

Normas e diretiva relevantes

EN 378-2:2016: Sistemas frigoríficos e bombas de calor – Requisitos de segurança e proteção ambiental.

EN 60335-1: Aparelhos eletrodomésticos e análogos – Segurança – Parte 1: Requisitos gerais.

EN IEC 61000-6-8:2022: Compatibilidade eletromagnética (CEM) Parte 6-8: Normas gerais

EN 60335-2-40: Eletrodomésticos e aparelhos elétricos semelhantes

EN 60335-2-80: Eletrodomésticos e aparelhos elétricos semelhantes

Diretiva de Baixa Tensão n.º 2014 / 35 / UE

Diretiva Máquinas n.º 2006 / 42 / CE

Diretriz de Equipamentos Sob Pressão (PED) n.º 2014/68/UE

Diretiva RoHS 2011/65/EU

Diretiva REEE 2012/19/EU

(Outras normas locais aplicáveis)

1 – Introdução

Estas instruções dizem respeito às unidades de condensação Optyma™ Plus OP-MPS, OP-MPT, OP-LPV, OP-LPK e OP-MPI utilizadas para sistemas de refrigeração. Estas instruções fornecem as informações necessárias à utilização adequada e com segurança deste produto.

A unidade de condensação inclui o seguinte:

- Trocador de Calor microcanal
- Compressor recíproco ou Scroll
- Receptor com válvula de segurança
- Válvulas esferas com válvula schrader
- Visor de vidro (ligações de rosca)
- Transdutores da pressão de aspiração e descarga
- Pressostatos de alta e baixa pressão
- Filtro Secador (ligações de rosca)
- Controlador eletrónico
- Disjuntor principal (Interruptor principal com proteção contra sobrecarga)
- Ventiladores para o condensador compressor
- Contator do compressor
- Caixa robusta à prova de intempéries
- Painel elétrico totalmente pré-ligado IP54
- Motor do ventilador CA para modelos H1 e H2
- Motor do ventilador EC para modelos H3 e H4
- A PRV está instalada nos modelos PED Cat II (Ficha técnica - Anexo - A)
- Os componentes conectados estão equipados com uma porta Schrader
- Controlador de injeção de líquido (Módulo B Plus)*
- Válvula de expansão eletrónica (ETS6) para injeção de líquido*

* Apenas para modelos da versão P02

2 – Manuseamento e armazenamento

- Não solde enquanto a unidade de condensação estiver sob pressão.
- Os refrigerantes A2L são mais pesados que o ar. A Danfoss recomenda a instalação acima do nível do solo. Consulte o Anexo - A.
- É recomendado que não abra a embalagem antes de a unidade estar no local de montagem final.
- Manuseie a unidade com cuidado. A embalagem permite que o utilizador utilize uma empilhadora ou um porta-paletes. Utilize equipamento de elevação seguro e adequado.
- Armazene e transporte a unidade na posição vertical.
- Armazene a unidade a uma temperatura entre os -35 °C e 50 °C.
- Não exponha a embalagem à chuva ou a uma atmosfera corrosiva.
- Após desembalar, verifique se a unidade se encontra completa e livre de danos.

3 – Instalação e precauções

- Não é permitido utilizar a unidade numa atmosfera inflamável.
- Coloque a unidade de modo a que não bloqueie ou obstrua as áreas de passagem, portas, janelas ou elementos similares.
- Os refrigerantes A2L são mais pesados do que o ar. A unidade tem de ser instalada acima do nível do chão para ter uma boa ventilação do compartimento do compressor.



PRV: Nos modelos PED Cat II, a PRV vem instalada. Para os modelos PED Cat I, a PRV deve ser montada em campo durante a instalação.

- Certifique-se de que há espaço suficiente à volta da unidade para a circulação de ar e abertura de portas. Consulte o Anexo - A para obter os valores mínimos de distância às paredes.
- Evite instalar a unidade em locais que estejam diariamente expostos à luz solar direta durante longos períodos de tempo.
- Evite instalar a unidade em ambientes agressivos e poeirentos.
- Certifique-se de que possui uma base com superfície horizontal (inclinação inferior a 3°), forte e estável o suficiente para suportar todo o peso da unidade e eliminar vibrações (utilize anilhas, almofadas ou suportes) e interferências.
- A temperatura ambiente da unidade não pode exceder os 63 °C durante o ciclo em que desliga.
- Certifique-se de que a fonte de alimentação corresponde às características da unidade (consulte a placa de identificação).
- Quando instalar unidades para refrigerantes R454C, R455A e R1234yf, utilize equipamento reservado especificamente para refrigerantes A2L que nunca tenham sido usados para outros refrigerantes HFO, CFC ou HCFC.
- Utilize tubos de cobre/alumínio limpos e desidratados para refrigeração com espessura adequada e materiais de soldadura de liga de prata.

Instruções

- Utilize componentes de sistema limpos e desidratados.
- A tubagem de aspiração ligada ao compressor deverá ser flexível em 3 dimensões para amortecer as vibrações. Além disso, deve ser construída de uma forma que garanta o retorno do óleo ao compressor e que elimine o risco de golpe de líquido no compressor.
- Na Optyma™, a unidade de condensação possui válvula de serviço de sucção e de líquido com porta schrader para operações de assistência no local
- As unidades Optyma™ Plus com os códigos 114X34-- e 114X44-- possuem dois receptores em linha com válvulas. Certifique-se de que ambas as válvulas estão abertas antes de iniciar.

3.1 – Válvula PRV

	Para a Optyma™ Plus, unidades de condensação classificadas como PED cat II, a PRV está equipada de fábrica com uma predefinição de 34,5 ±1 bar. (Consulte os Dados técnicos para a categoria PED no Anexo A).
	Para a Optyma™ Plus, unidades de condensação classificadas como PED cat I, a PRV deve estar instalada (Consulte os Dados técnicos para a categoria PED no Anexo A).
	A PRV é utilizada como dispositivo limitador de danos, não como dispositivo limitador de pressão.

- PRV para instalação no receptor de líquido na conexão NPT de 3/8". (Consulte o Coolselector2 para obter o código de peça sobresselente da PRV). Utilize Locatite 554 para a colocação da PRV.
- Binário de aperto: 40Nm (Não exceda o binário de aperto indicado)



- O instalador precisa de ter cuidado com o local onde deve soprar o refrigerante derramado. A Danfoss recomenda que o refrigerante seja soprado para longe da unidade de condensação.
- Recomenda-se trocar a PRV após a descarga, com mudança do refrigerante
- Não retire o vedante e tente repor a válvula.
- As válvulas devem ser instaladas na vertical ou na horizontal, mas certifique-se de que a PRV é instalada acima do nível de líquido do sistema.
- Certifique-se de que o refrigerante seja liberado diretamente para atmosfera de forma segura.
- Em caso de perigo, foi concebido um kit sobresselente adicional para recolher o refrigerante liberado. O kit deve ser instalado com uma tubulação adequada para a descarga de refrigerante em segurança. (Ver imagem abaixo)



- A PRV não deve ser instalada na válvula de serviço.
- Substitua a PRV depois de limpar o sistema ou de esvaziado.
- As juntas e válvulas não destacáveis não devem ser acessíveis ao público. Todas as juntas de brasagem devem cumprir a norma EN 14276-2 e as outras juntas

permanentes devem estar em conformidade com a norma EN-16084.

- As unidades Optyma™ Plus com os códigos 114X34-- e 114X44-- possuem uma PRV montada num dos receptores. No outro receptor, está instalado um bujão.



1. Transmissor de Pressão HP
2. Válvula de descarga de pressão
3. Interruptor de pressão ACB
4. Porta de Equalização de Gás
5. Porta de Equalização de Líquido

4 – Montagem

- A instalação/assistência das unidades de condensação Optyma™ Plus tem de ser realizada por pessoal qualificado, cumprindo os regulamentos locais/internacionais aplicáveis e com utilização do equipamento Equipamento de proteção individual (EPI) correto.
- A instalação em que a unidade de condensação está instalada deve estar em conformidade com a diretiva de equipamentos sob pressão (PED) 2014/68/UE. A própria unidade de condensação não é uma «unidade» no âmbito desta diretiva.
- A unidade deve ser firmemente instalada num suporte rígido e estável e deve estar fixa desde o início. Consulte o Anexo - A.
- Recomendamos que monte a unidade em apoios de borracha ou amortecedores de vibrações (não fornecidos).
- É possível empilhar unidades em cima umas das outras.

Unidade	Empilhamento máximo
Caixa 1 (Código no. 114X31-- ou 114X41--)	3
Caixa 2 (Código no. 114X32-- ou 114X42--)	2
Caixa 3 (Código no. 114X33-- ou 114X43--)	2
Caixa 4 (Código no. 114X34-- ou 114X44--)	2

- Numa pilha, a unidade do topo deve estar fixa contra a parede, conforme apresentado na imagem 2.
- Alivie lentamente a carga de nitrogénio através da porta da válvula schrader.
- Assim que possível, ligue a unidade ao sistema para evitar que a humidade ambiente contamine o óleo.
- Evite a entrada de material no sistema durante o corte dos tubos. Nunca faça furos em locais em que as rebarbas não possam ser removidas.
- Efetue a brasagem com extremo cuidado, utilizando a mais recente tecnologia e tubagens de ventilação em conjunto com o fluxo de gás de nitrogénio.
- Ligue os dispositivos de segurança e de controlo necessários. Quando a porta schrader for usada para esse fim, remova a tampa fictícia.
- Recomenda-se que isole o tubo de aspiração desde o evaporador até à entrada do compressor com um isolamento de 19 mm de espessura.
- Certifique-se de que não existe refrigerante nem danos no interior da unidade e que não existem fissuras nos tubos.
- Certifique-se de que todos os componentes no interior da caixa elétrica estão protegidos contra sobrecargas elétricas e "não são fontes de ignição" do respetivo fabricante para refrigerantes aprovados.
- A cablagem campo deve ser encaminhada

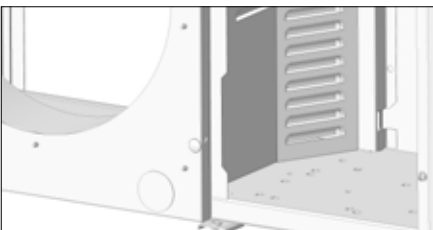
apenas através dos bujins de cabo IP65 e da placa de entrada do cabo. É estritamente proibido perfurar as partes laterais do painel elétrico para passar quaisquer cabos adicionais.

- Para a cablagem de campo, apenas deve ser perfurado o orifício necessário. Não deve ser deixado qualquer orifício perfurado sem um cabo no mesmo. Se ocorrerem perfurações indesejadas, deve substituir-se toda a placa de base.

118U5258 - Peça sobresselente, prensa-cabo

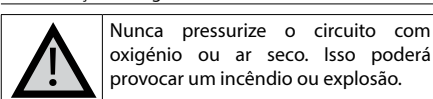


- O painel de partição e a placa de base possuem aberturas específicas para a pré-ventilação, não vede/obstrua/feche as aberturas de nenhuma forma.



- Em caso de fugas incertas, para evitar a concentração de refrigerante no compartimento do compressor, a ventoinha arranca 30 segundos antes do compressor.
- O material da tubulação de cobre deve estar em conformidade com a norma EN12735-1. E todas as juntas dos tubos devem cumprir a norma EN14276-2
- Na instalação no local, adicione suporte de acordo com o tamanho e o peso. Espaço máximo recomendado para o suporte do tubo de acordo com as normas EN12735-1 e EN12735-2
- Devem ser feitos tubos de ligação antes de abrir as válvulas para permitir o fluxo de refrigerante entre as peças do sistema de refrigeração.

5 – Detecção de fugas



- Não utilize tinta para deteção de fugas.
- Efetue um teste de deteção de fugas na totalidade do sistema.
- A pressão máxima de teste é de 25 bar.
- Quando for encontrada uma fuga, repare-a e repita o teste de deteção de fugas.

6 – Desidrataação a vácuo

- Nunca utilize o compressor para purgar o sistema.
- Para uma evacuação mais rápida e eficiente, ligue uma bomba de vácuo a ambos os lados de Baixa Pressão e de Alta Pressão.
- A bomba de vácuo deve estar certificada para utilização num ambiente com refrigerante A2L ou possuir certificação ATEX.
- Baixe o sistema para uma pressão absoluta inferior a 500 µm Hg (0,67 mbar).
- Não utilize um megaohmímetro nem aplique potência no compressor enquanto este se encontrar sob vácuo, já que tal poderá provocar danos internos.

7 – Ligações elétricas

- Certifique-se de que todas as ligações elétricas dentro da unidade de condensação estão devidamente

Instruções

apertadas, pois podem ter-se soltado durante o transporte.

- Desligue e isole a fonte de alimentação principal.
- Certifique-se de que a fonte de alimentação não pode ser ligada durante a montagem.
- Todos os componentes elétricos devem ser selecionados de acordo com as normas EN60335-1, EN60204 ou as normas locais aplicáveis e requisitos da unidade.
- Consulte o diagrama de cablagem para obter informações detalhadas sobre as ligações.
- **Todos os componentes elétricos devem estar qualificados para utilizar refrigerantes A2L e "não ser fonte de ignição".**
- Certifique-se de que a fonte de alimentação corresponde às características da unidade e que a fonte de alimentação se encontra estável (Tolerância de tensão permitida de $\pm 10\%$ e tolerância de frequência permitida de $\pm 2,5$ Hz).
- Os cabos da fonte de alimentação devem estar de acordo com os dados da unidade relativos à tensão, corrente e condições ambientais. Consulte a Placa de identificação para obter informações sobre a tensão e a corrente.
- Proteja o cabo da fonte de alimentação e assegure-se de que existe uma correta ligação à terra.
- Coloque a fonte de alimentação em conformidade com os padrões locais e os requisitos legais.
- A unidade está equipada com um controlador eletrónico. Consulte o Manual 118U3808 para obter mais informações.
- A unidade está equipada com um interruptor principal com proteção de sobrecarga e uma proteção contra curto-circuitos. A proteção de sobrecarga é predefinida na fábrica, mas recomenda-se que verifique o valor antes de colocar a unidade em funcionamento. O valor da proteção de sobrecarga pode ser encontrado no esquema elétrico colocado na porta dianteira da unidade.
- A unidade está equipada com pressóstatos de alta e baixa pressão, que cortam diretamente a alimentação ao compressor em caso de ativação. Os parâmetros para a pressão de corte alta e baixa são predefinidos no controlador de acordo com o compressor instalado na unidade.
- Os modelos da versão P02 (OP-xxxxxxxP02E) estão equipados com uma placa de circuito eletrónico para operar a válvula de expansão eletrónica de injeção de líquido (Módulo B Plus). Consulte a secção "Guia do Usuário do Módulo B Plus" neste manual.
- A frequência de arranque da unidade de condensação Optyma™ Plus tem de ser limitada para compressores recíprocos.
- Sem condensador de arranque, 5 arranques por hora no máximo.
- Com condensador de arranque, 10 arranques por hora no máximo.

8 – Segurança

	A porta da caixa elétrica deve estar fechada antes de ser ligada à fonte de alimentação.
	A temperatura do tubo de descarga irá subir até aos 120 °C durante o funcionamento da unidade.
	Recomenda-se a instalação da PRV no interior da unidade e que a liberação de refrigerante seja encaminhada diretamente para a atmosfera.
	Códigos da unidade Optyma™ plus 114X34- e 114X44-, Interruptor de alta pressão instalado após o receptor, Se as válvulas Rotolock forem fechadas durante o ciclo de bombeamento, o interruptor HP não será acionado.

A unidade possui um recetor de líquidos com uma Ficha de adaptador com ligação NPT

de 3/8". O instalador/utilizador final pode seleccionar várias opções, tal como mencionado em EN378-2: 2016 Artigo § 6.2.2.3.

- A unidade/instalação em que a unidade de condensação está montada/integrada deve estar em conformidade com a PED.
- Preste atenção a componentes extremamente quentes e frios.
- Preste atenção a componentes em movimento. A alimentação elétrica deverá ser desligada durante a assistência.
- De acordo com o regulamento relativo a gases F da UE, R1234yf, R454A e R455A são considerados refrigerantes A2L. As unidades Optyma™ Plus estão qualificadas com R1234yf, R454C e R455A. Deve ter em conta todas as precauções e medidas de segurança, antes e depois da instalação.
- Todos os componentes devem poder ser utilizados com refrigerantes especificados de acordo com os códigos de unidades de condensação Optyma™ Plus. Consulte o Anexo A
- Para evitar o arco elétrico entre os pinos do conector hermético, o compressor não pode arranjar nem devem ser realizados testes elétricos, tais como a força dielétrica, enquanto o sistema de refrigeração estiver sob vácuo.
- As unidades de condensação Optyma™ Plus possuem pré-ventilação através do ventilador do condensador antes do arranque do compressor (30 segundos).
- A Danfoss recomenda sempre a caixa elétrica IP54 principal. Em caso de danos na junta de borracha (mostrada abaixo), o cliente deve substituí-la imediatamente.
- O compressor tem um protetor de sobrecarga interno (OLP). Irá impedir que a pressão do compressor ultrapasse os 32 bar.



- Nenhuma válvula e juntas destacáveis devem estar localizadas em áreas acessíveis ao público em geral, exceto quando estiverem em conformidade com a norma EN 16084
- A tubulação de refrigerante deve estar protegida ou fechada, para evitar danos.
- A tubulação de campo deve ser instalada de forma que esteja livre de ambientes corrosivos ou salgados, para evitar a corrosão na tubulação de cobre/alumínio.
- Em caso de incêndio, a pressão aumenta devido à maior temperatura no receptor. Por isso, é muito importante instalar a PRV.
- Para os códigos 114X34- e 114X44-, é fornecido um interruptor de limitação da porta por motivos de segurança. Não remova nem altere a ligação.

9 – Abastecer o sistema

- Nunca arranque o compressor sob vácuo. Mantenha o compressor desligado.
- Utilize apenas o refrigerante para o qual a unidade foi concebida.
- Antes de encher a unidade de condensação Optyma™ Plus com o refrigerante, utilize EPI (equipamento de proteção individual adequado).
- Se for necessário mais óleo, consulte a etiqueta do compressor para saber qual o tipo de óleo. Consulte as diretrizes de aplicação do compressor para obter informações sobre o limite mínimo de nível de óleo antes de reabastecer.
- Para refrigerantes de deslize como R454C, R455A, R448A, R449A, R452A utilize uma válvula de líquido

no cilindro de refrigeração para carregar.

- Abasteça o refrigerante na fase líquida no condensador ou recetor de líquido. Certifique-se de que carrega lentamente o sistema até 4-5 bar para R404A/R507, R407A, R407F, R448A/R449A, R452A, R454C, R455A e aprox. 2 bar para R134a, R513A e R1234yf.
- Carregue o resto até a instalação ter atingido um nível de condição nominal estável, durante a operação.
- Nunca deixe o cilindro de abastecimento ligado ao circuito.
- Não coloque refrigerante líquido através da linha de aspiração.
- Não é permitido misturar aditivos com o óleo e/ou o refrigerante.
- Ao carregar refrigerante A2L, certifique-se de que a área de carregamento está bem ventilada.
- O recetor de líquido está equipado com uma válvula Rotolock para fins de assistência. Como predefinição de fábrica, a válvula estará na posição completamente ABERTA. Durante a manutenção e o recolhimento, a válvula deve ser rodada para a direita até estar na posição completamente FECHADA.
- Válvulas de sucção, de líquidos e de bloqueio de rotação do receptor como porta Schrader para operações de assistência como Carregamento de gás, medição de pressão.

10 – Configuração do controlador eletrónico

	Altere o parâmetro do controlador o37 para 1 no caso de uma adaptação SPPR (relé de monitorização de alimentação). Caso adicione a opção SPPR para proteger o compressor, altere a definição o37 de 0 para 1
	Para modelos da versão P02 (OP-xxxxxxxP02E), os valores o30 são apenas 19= R404A / 40=R448A / 41=R449A / 51= R454C / 52 = R455A no controlador

Grupo Fluido	Refrigerante	Parâmetro (o61*)
A2L	R455A & R454C	LLZ013 , LLZ015, LLZ018, LLZ024 & LLZ034 = 19
		MLZ058 & MLZ076 = 18
A1	R404A/R507, R452A, R448A & R449A	LLZ013 = 43 LLZ015 = 44 LLZ018 = 45 LLZ024 = 39 LLZ034 = 40 MLZ058 = 37 MLZ076 = 38

* Consulte Optyma™ mais instalação do controlador - Manual do utilizador (BC08728642552802)

- A unidade está equipada com um controlador eletrónico programado de fábrica com parâmetros para utilização com a unidade atual. Consulte o Manual 118U3808 para obter mais informações.
- Por predefinição, o visor do controlador eletrónico mostra o valor da temperatura para a pressão de aspiração em °C. Para mostrar o valor da temperatura para a pressão de condensação, prima o botão inferior Anexo A; Figura 3.
- Remova o terminal D11 do controlador (entrada do termóstato ambiente) para evitar qualquer arranque indesejado do compressor. Volte a colocá-lo depois de concluídas as definições.

O controlador eletrónico é predefinido na fábrica para R404A ou R449A ou R452A ou R134a, dependendo do modelo do compressor montado e da aplicação (consulte o manual de instalação do controlador Optyma™ 118U3808). Se for utilizado outro refrigerante, a definição do refrigerante terá de ser alterada.

Instruções

- Prima o botão superior durante alguns segundos. Será apresentada a coluna com os códigos dos parâmetros.
- O parâmetro r12 deve ser definido para 0 antes (interruptor principal do software = desligado).
- Prima o botão superior ou inferior para encontrar o código de parâmetro o30.
- Prima o botão do meio até que o valor deste parâmetro seja apresentado.
- Prima o botão superior ou inferior para seleccionar o novo valor: 3 = R134a.17 = R507. 19 = R404A. 20 = R407C. 21 = R407A. 36 = R513A. 37 = R407F. 40 = R448A. 41 = R449A. 42 = R452A. 39 = R1234yf. 51 = R454C. 52 = R455A
- Prima o botão do meio para confirmar o valor seleccionado.
- Prima o botão superior ou inferior para encontrar o código de parâmetro r84 (r84 = Temperatura de descarga máxima permitida).
- Pressione o botão do meio. A temperatura de descarga máxima predefinida é de 125 °C
- Se o cliente quiser aumentar a válvula, pressione o botão superior para seleccionar o novo valor: 130°C. Pressione o botão do meio para confirmar o valor seleccionado.
- A temperatura de descarga máxima permitida (r84) não deve exceder os 130 °C

As unidades Optyma™ Plus 114X33YY e 114X43YY estão equipadas com um motor de ventilador EC. Para tal, o parâmetro F17 do controlador Optyma™ Plus é alterado para 2, para ativar a saída de controlo da velocidade do ventilador de 0-10 V. Como definição de fábrica, o parâmetro F19 de velocidade máx. do ventilador está definido para 80%, para limitar a velocidade do ventilador e as emissões de ruído em áreas residenciais. Os instaladores podem aumentar esta velocidade máx. para até 100%, se o ruído emitido não for um obstáculo. Apenas para os modelos da versão P02, a entrada digital, DI2 do controlador será ligada ao módulo B+. Isto indicará o alarme, que interrompe o funcionamento do compressor em caso de falha do Módulo B+. O parâmetro do controlador tem o37 deve estar definido para 1.

A variação de velocidade do motor do ventilador EC será controlada pelo controlador Optyma™ Plus, através da medição da diferença entre a temperatura ambiente e a temperatura de condensação saturada (orvalho). Quanto menor for a diferença, maior será a velocidade. A predefinição de fábrica será de 8K. O intervalo de regulação será de 2-20 K. Para regular, a partir do ecrã inicial do controlador Optyma (que mostra a temperatura de aspiração saturada), prima o botão do meio e varie o valor com a tecla superior ou inferior.

11 – Verificação antes de colocar em funcionamento

	<p>Utilize os dispositivos de segurança, tal como o pressostato de segurança e a válvula mecânica de alívio (não fornecida), em conformidade com os regulamentos e padrões de segurança aplicáveis a nível global e local. Garanta que estes estão operacionais e foram regulados devidamente.</p> <p>Certifique-se de que as configurações dos interruptores de alta pressão e as válvulas de alívio não excedem a pressão de serviço máxima de qualquer componente de sistema.</p>
--	--

- Antes de iniciar a unidade de condensação, certifique-se de que as válvulas dos receptores e as válvulas esferas estão completamente abertas.
- Certifique-se de que todas as ligações elétricas dentro da unidade de condensação estão devidamente apertadas, pois podem ter-se soltado durante o transporte.
- Quando for necessária uma resistência do cárter, a unidade tem de ser ligada à fonte de alimentação

pelo menos 12 horas antes do arranque inicial e do arranque após uma paragem prolongada, isto para as resistências do cárter de tipo cinta.

- A resistência de cárter deve estar bem fixa à blindagem do compressor. Certifique-se de que não cai e é alimentada por ar.
- A porta do painel elétrico deve estar bem fechada utilizando o puxador no painel da porta.
- Todos os tubos de interligação com (líquido e aspiração) a unidade de condensação Optyma™ Plus têm de ter uma dimensão adequada, dependendo da localização do evaporador.
- A queda de pressão nos tubos da linha de sucção e líquido deve ser avaliada de acordo com a localização e a distância do evaporador (consulte o Coolselector2).
- A pressão de aspiração/descarga das unidades de condensação Optyma™ Plus tem de estar dentro do limite de funcionamento. Nunca utilize a unidade de condensação com uma pressão de aspiração inferior à pressão absoluta (vácuo).
- A unidade está equipada com um interruptor principal com proteção de sobrecarga e uma proteção contra curto-circuitos. A proteção contra sobrecarga é predefinida na fábrica, mas recomenda-se que verifique o valor antes de colocar a unidade em funcionamento. O valor da proteção contra sobrecarga encontra-se no esquema elétrico colocado na porta dianteira da unidade.
- Verifique se o sensor de temperatura de descarga está firme e tem um contacto adequado com o tubo de descarga.
- Certifique-se de que leu as orientações de instalação fornecidas com a unidade de condensação.
- Utilize apenas o(s) refrigerante(s) correto(s) conforme descrito na placa de características.
- Verifique o nível de óleo do compressor.
- Verifique se todas as válvulas de serviço estão abertas.
- Certifique-se de que o transmissor de alta pressão está aberto para o sistema.
- Verifique se todas as ligações mecânicas estão apertadas.
- Verifique se todas as definições de sobrecarga elétrica estão corretas.

12 – Arranque

- Nunca arranque a unidade sem estar carregada com refrigerante.
- Todas as válvulas de serviço devem estar na posição aberta.
- A válvula Rotalock no receptor deve estar completamente aberta. Rode sentido anti-horário para abrir completamente.
- Verifique a conformidade entre a unidade e a fonte de alimentação.
- Verifique se a resistência de cárter está a funcionar.
- Verifique se a ventoinha pode rodar livremente.
- Certifique-se de que a folha de proteção foi removida da parte posterior do condensador.
- Equilibre a pressão Alta Pressão/Baixa Pressão.
- Forneça energia à unidade. A ventoinha do condensador deve arrancar prontamente e, após um período de atraso de 30 segundos, o compressor arranca (pré-ventilação).
- Uma eventual rotação invertida pode ser detetada através do seguinte fenómeno; o compressor não acumula pressão, tem um nível de som anormalmente elevado e um consumo de energia anormalmente baixo. Nesse caso, desligue imediatamente a unidade e ligue as fases aos terminais adequados.
- Se a direção de rotação estiver correta, a indicação de pressão baixa no controlador (ou o manómetro de baixa pressão) mostrará uma diminuição de pressão e a indicação de pressão alta (ou o manómetro de alta pressão) apresentará um

aumento de pressão (apenas durante o arranque).

13 – Verificar com a unidade em funcionamento

- Verifique a direção de rotação da ventoinha. Deve existir fluxo de ar do condensador em direção à ventoinha.
- Verifique o fornecimento de corrente e a tensão.
- Verifique o sobreaquecimento da aspiração para reduzir o risco de golpes de líquido.
- Quando for fornecido um vidro de observação do compressor, verifique o nível do óleo no início e durante o funcionamento, para confirmar se o nível do óleo permanece visível.
- Respeite os limites de funcionamento.
- As unidades de condensação Optyma™ Plus foram concebidas para trabalharem a temperaturas de até 43°C. Durante o funcionamento normal ou o funcionamento de pico, a temperatura do ponto de condensação saturada não deve exceder os 63 graus centígrados para R404A/R507, R448A, R449A, R452A, R454C, R455A. A temperatura do ponto de condensação saturada não deve exceder os 65 graus centígrados para R134a, R513A e R1234yf.
- Verifique todos os tubos quanto a vibração anormal. Movimentações que excedam os 0,15 mm requerem medidas de correção, tais como grampos de fixação.
- Quando necessário, poderá ser adicionado algum refrigerante extra em estado líquido no lado de baixa pressão, o mais longe possível do compressor. O compressor deverá estar em funcionamento durante este processo.
- Não sobrecarregue o sistema.
- Siga os regulamentos locais para recolher o refrigerante da unidade.
- Nunca liberte o refrigerante para a atmosfera.
- Antes de abandonar o local de instalação, faça uma inspeção geral à instalação no que diz respeito à limpeza, ao ruído e à deteção de fugas.
- Registe o tipo e a quantidade da carga de refrigerante, assim como as condições de funcionamento, para servir de referência em inspeções futuras.
- Verifique a pressão de aspiração e descarga e a temperatura.
- Carga de refrigerante e correntes de funcionamento dos motores para garantir o funcionamento correto.
- Verifique o sobreaquecimento da aspiração do compressor para reduzir o risco de golpes de líquido.
- Deixe o sistema a funcionar durante 3 a 4 horas. Verifique o nível de óleo do compressor e encha com o tipo de óleo correto conforme identificado na placa de características da unidade e do compressor.
- Verifique novamente o nível de óleo do compressor após 24 horas de funcionamento.
- Efetue um teste final de fugas e certifique-se de que todas as tampas estão instaladas e todos os parafusos apertados.
- Etiquetagem completa do refrigerante de acordo com as normas locais.
- Os compressores scroll são permitidos operar a um máximo de 12 ciclos de partida/parada por hora.
- Os compressores alternativos podem funcionar a um máximo de 10 ciclos de arranque/parada por hora.
- Certifique-se de que a manutenção é efetuada de acordo com as instruções de instalação.

14 – Funcionamento de emergência sem controlador

Em caso de falha do controlador, a unidade de condensação pode continuar a ser utilizada quando a cablagem padrão do controlador for modificada para uma cablagem temporária, conforme descrito abaixo.

Instruções

	Esta modificação apenas pode ser efetuada por um electricista autorizado. Deve ser respeitada a legislação nacional.
	Desligue a unidade de condensação da fonte de alimentação (desligue o interruptor principal do equipamento).
	O controlador tem de ser trocado o mais rapidamente possível para evitar qualquer redução da vida útil.

- Deve ser possível estabelecer contacto com o termóstato ambiente a 24 - 25 (ou seja, DI1) para fornecer 250 V CA.
- Remova o cabo 22 (entrada de segurança DI3) e o cabo 24 (termóstato ambiente DI1) e junte-os a uma ponte terminal isolada de 10 mm² com 250 VAC.
- Remova o cabo 25 (termóstato ambiente DI1) e o cabo 11 (alimentação do compressor) e junte-os a uma ponte terminal isolada de 10 mm² com 250 V CA.
- Remova o cabo 6 e ligue-o à ponte terminal para os cabos 11 e 25. Pode ser ligado um pressóstato do ventilador ou um controlador de velocidade do ventilador, em série, ao cabo 6.
- Remova o cabo 14 (resistência de cárter) e ligue-o ao terminal 22 do contator do compressor.
- Remova o cabo 12 (alimentação da resistência de cárter), prolongue este cabo utilizando uma ponte terminal de 10 mm² com 250 V CA e um cabo castanho de 1,0 mm² e ligue-o ao terminal 21 do contator do compressor.
- Remova o bloco de terminais grande dos terminais 10 a 19 do controlador.
- Ligue a unidade de condensação à fonte de alimentação (ligue o interruptor principal do equipamento).
- Para a unidade 114X33YY e 114X43YY com motor do ventilador EC, abra a caixa de terminais do motor do ventilador e ligue a entrada da velocidade do ventilador de 0-10 V ao terminal de alimentação de 10 V

15 - Manutenção

	Desligue sempre a fonte de alimentação para a unidade de condensação, desligando o interruptor principal antes de abrir o painel do ventilador.
	A pressão interna e a temperatura da superfície são perigosas e podem provocar lesões permanentes. Os operadores de manutenção e instaladores necessitam de EPI, competências e ferramentas adequadas para realizar a atividade de manutenção. A temperatura dos tubos pode exceder os 100 °C e pode causar queimaduras graves.
	Certifique-se de que são efetuadas inspeções de assistência periódicas, de acordo com os regulamentos locais e para garantir a fiabilidade do sistema.

Para impedir problemas derivados do sistema, recomenda-se levar a cabo periodicamente as seguintes tarefas de manutenção:

- Certifique-se de que os dispositivos de segurança estão operacionais e corretamente configurados.
- Certifique-se de que o sistema se encontra estanque.
- Verifique a absorção elétrica do compressor.
- Confirme se o sistema está a funcionar de modo consistente com os registos de manutenção e as condições ambientais anteriores.
- Certifique-se de que todas as ligações elétricas continuam corretamente apertadas.
- Mantenha a unidade limpa e confirme a ausência de ferrugem e oxidação nos componentes, nos tubos e nas ligações elétricas da unidade.

- Superfície do permutador de calor de microcanaís adequadamente limpa para evitar obstruções. O condensador deve ser verificado pelo menos uma vez por ano quanto a entupimento e deve ser limpo se considerar necessário. O acesso ao interior do condensador é efetuado através da porta do ventilador. As bobinas de microcanaís tendem a acumular sujeira na superfície e não no interior, o que as torna mais fáceis de limpar do que as bobinas de tubos finos.
- Desligue a fonte de alimentação para a unidade de condensação, desligando o interruptor principal antes de abrir o painel do ventilador.
- Todos os equipamentos elétricos, EPI e ferramentas devem ser compatíveis e aprovados para utilização com refrigerantes A2L como R454C, R455A e R1234yf.
- Remova a sujidade, folhas, fibras, etc. da superfície com um aspirador, equipado com uma escova ou outro acessório suave. Em alternativa, pulverize ar comprimido através da bobina, de dentro para fora, e escove com uma escova suave. Não utilize uma escova metálica. Não provoque impacto nem arranhe a bobina com o tubo de vácuo nem com o bocal de ar.
- Verifique se as aberturas no painel divisório e na placa de base estão livres para pré-ventilação.
- Antes de fechar a porta do ventilador, rode a pá do ventilador para uma posição de segurança, de forma a evitar que a porta atinja o ventilador.

Se o sistema de refrigeração tiver sido aberto, terá de ser limpo com ar seco ou nitrogénio, para eliminar a umidade, e terá de ser instalado um novo filtro secador. Se tiver de retirar o refrigerante, isso deve ser efetuado de forma a que não escape qualquer refrigerante para o ambiente.



- Válvula completamente fechada (Fuso da válvula totalmente rodado para a direita)
 - 1, 3 e 4 ligados
 - 2 não tem ligação a outras portas
- Válvula aberta algumas voltas (fuso da válvula na posição entre aberta e fechada)
 - 1, 2, 3 e 4 ligados
- Válvula completamente aberta (Fuso da válvula totalmente rodado para a esquerda)
 - 1, 2 e 3 ligados
 - 4 não tem ligação a outras portas

Eixo completamente fechado



Eixo completamente aberto



16 - Declaração de incorporação

• **Diretiva sobre equipamentos sob pressão 2014/68/UE EN 378-2:2016** - Sistemas frigoríficos e bombas de calor - Requisitos de segurança e proteção ambiental - Partes 2: Conceção, construção, testes, marcação e documentação.

Diretiva de baixa tensão 2014/35/UE EN 60335-1:2012 + A11:2014- Aparelhos eletrodomésticos e análogos-Segurança-Parte

1: Requisitos gerais-para todas as unidades de condensação abaixo mencionadas.

Diretiva sobre Eco-design 2009/125/CE, que estabelece um enquadramento para a definição dos requisitos de Eco-design para produtos relacionados com energia.

REGULAMENTO (UE) 2015/1095, que implementa a Diretiva sobre Eco-design 2009/125/CE relativamente aos requisitos de Eco-design para compartimentos de armazenamento refrigerado profissionais, compartimentos de aplicação de jatos, unidades de condensação e refrigeradores de líquido aplicados em processos de produção.

• As medições das unidades de condensação são realizadas de acordo com a norma «EN 13771-2:2017» - Compressores e unidades de condensação para testes de desempenho da refrigeração e métodos de testes- parte 2: Unidades de condensação. Declaração de Eco-design; consulte o Danfoss Coolselector®2 com o número de código (114X....) para encontrar a declaração.

17 - Garantia

Indique sempre qual o número do modelo e número de série em qualquer reclamação relativa a este produto.

A garantia do produto pode ser anulada nos seguintes casos:

- Ausência de placa de identificação.
- Modificações externas; em especial, perfuração, soldadura, pés partidos e marcas de choques.
- Compressor aberto ou devolvido com o selo violado.
- Presença de ferrugem, água ou tinta de deteção de fugas no interior do compressor.
- A utilização de um refrigerante ou lubrificante não aprovado pela Danfoss.
- Qualquer desvio em relação às instruções recomendadas relativas à instalação, aplicação ou manutenção.
- Utilização em aplicações móveis.
- Utilização em ambiente atmosférico explosivo.
- Nenhum número de modelo e de série transmitido com o pedido de garantia.

18 - Eliminação

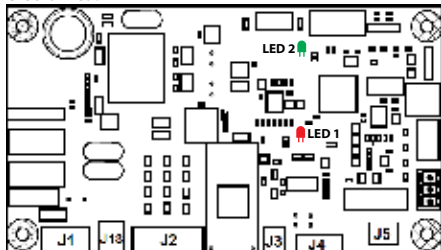


A Danfoss recomenda que as unidades de condensação e o óleo sejam reciclados por uma empresa adequada nas respetivas instalações.

Instruções

19 - Módulo B Plus - Manual do utilizador

O Módulo B Plus é um painel de circuito eletrónico usado nos modelos da versão P02 para injeção automática de líquido em volutas de compressor definida utilizando uma válvula de expansão eletrónica.



Module B Plus

O Módulo B plus é coberto pela cobertura de proteção de toque tal como na Imagem 6.

⚠ Não remova a cobertura de proteção de toque a não ser que seja necessário. Desligue a unidade antes de remover esta cobertura.



Imagem 6

Aplicação

O Módulo B Plus controla a injeção de líquido e também monitoriza os parâmetros seguintes: Temperatura do gás de descarga, sequência de fase e falha de fase.

Descrição funcional

Injeção de líquido

- Module B Plus can control discharge gas temperature. The default set point is 125 °C, this is required to run the condensing unit within safe envelope.

⚠ Não altere este ponto de definição.

- Quando o compressor para, a válvula de injeção de líquido fecha em 6 segundos.

Proteção de sobreaquecimento de temperatura do gás de descarga

- O sensor de temperatura do gás de descarga do Módulo B Plus pode detetar temperatura do gás de descarga no intervalo de -50 a 180 °C, precisão da medição de temperatura $\pm 0,5^\circ\text{C}$. O sensor de descarga está instalado a uma distância de até 150 mm da porta de descarga do compressor.

- Se a temperatura do gás de descarga for mais elevada do que o ponto de disparo de sobreaquecimento (ponto de definição + 10 K), dentro de 1 segundo, o relé de alarme (J5) abre. Este estado é chamado DGT Estático de sobreaquecimento com referência à Tabela 1. Se a temperatura do gás de descarga estiver abaixo do ponto de definição (ponto de definição -15 °C) continuamente por 5 minutos, o relé de alarme (J5) fecha. Este estado de atraso de 5 minutos é chamado DGT Atraso de reposição.

- Se a temperatura do gás de descarga sobreaquecer mais do que 5 vezes em 1 hora, o relé de alarme (J5) bloqueia no estado aberto e só pode ser reposto manualmente a alimentação elétrica do Módulo B Plus (desligue a unidade e volte a ligar após algum tempo). Este estado é chamado DGT Bloqueio de sobreaquecimento, consulte a Tabela 1 para identificação de erro.

- Se o sensor de temperatura do gás de descarga estiver a funcionar mal, isto é, Sensor Aberto, Curto-circuito do sensor ou Fora da gama, o relé de alarme (J5) também bloqueia no estado aberto, consulte a Tabela 1 para identificação de erro.

Proteção de fase

- A deteção de sequência de fase e de fase em falta só será realizada quando o compressor for ligado. Se for detetado um estado de fase incorreto, Perda de fase ou Fase inversa, dentro de 4,5 segundos a 5 segundos, o relé de alarme (J5) abre e bloqueia no estado aberto. Este bloqueio no estado aberto só pode ser reposto manualmente a alimentação elétrica do Módulo B Plus, consulte a Tabela 1 para identificação de erro.

Interface do utilizador

- O Módulo B Plus liga, o LED 1 está sempre vermelho. Quando o Módulo é desligado, o LED 1 está desligado. Se o Módulo B Plus for ligado e não tiver erro, o LED 2 de estado será verde. Consulte a imagem 6 para ver a localização do

LED 1 e do LED 2 no módulo B plus.

- Se o Módulo B Plus for ligado e detetar um erro, o LED 2 de estado será amarelo e vermelho intermitente durante um segundo alternativamente. Para os detalhes do código de intermitência, consulte a Tabela 1.

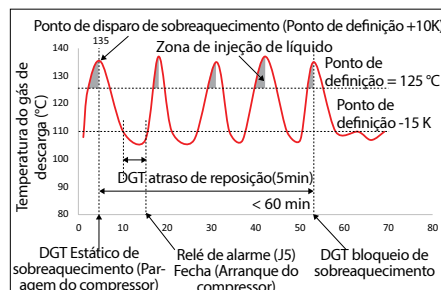


Imagem 7

Comunicação do Módulo B plus com o Optyma Plus Controller.

- Quando o relé de alarme (J5) está aberto, o sinal é comunicado à entrada 2 digital do controlador Optyma (DI2) o que ativa o alarme de segurança (A97) no Optyma Plus Controller e a alimentação elétrica ao compressor será interrompida imediatamente.

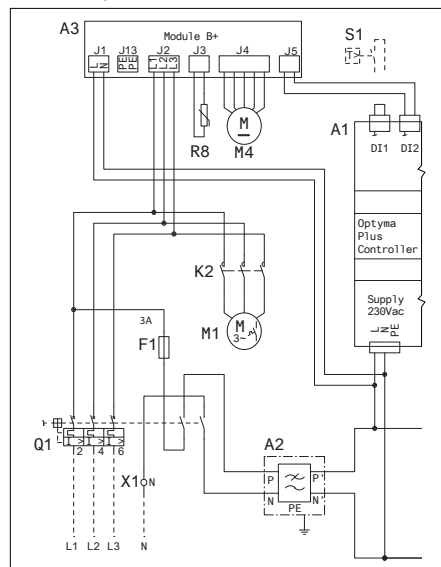


Diagrama de ligações do Módulo B Plus

Categoria	Tempos de intermitência amarela	Tempos de intermitência vermelha	Erro	Descrição	Ação
Temperatura do gás de descarga	1	1	DGT Estático de sobreaquecimento/DGT Atraso de reposição	A temperatura do gás de descarga é superior ao ponto de disparo de corte do compressor	Verifique se o controlador Optyma apresenta o alarme de segurança (A97). Se sim, espere até que se resolva automaticamente. Se este erro for observado frequentemente, verifique se a unidade está a funcionar nas condições recomendadas.
		2	DGT Bloqueio de sobreaquecimento	DGT Estático de sobreaquecimento ocorre 5 vezes em 1 hora	Reponha manualmente a alimentação elétrica do Módulo B Plus (desligue a unidade e volte a ligar após algum tempo).
		3	DGT fora da gama	DGT está fora da gama normal (-50 ... 180°C)	Verifique se o sensor de temperatura do gás de descarga está montado corretamente na linha de descarga. Verifique a temperatura do gás de descarga no parâmetro U27 do Optyma Plus Controller (deve estar entre -50 ... 180°C).
		4	DGT Sensor aberto/DGT Sensor curto	Sensor de temperatura do gás de descarga aberto/curto-circuito	Verifique o sensor de temperatura de descarga e a conexão.
Fase tripla	2	1	Perda de fase	Perda de sinal de monofase	Verifique a alimentação elétrica trifásica (J2) ao Módulo B Plus, se uma das 3 fases estiver em falta. Se sim, faça a conexão de alimentação elétrica correta e reponha manualmente o Módulo B Plus (desligue a unidade e volte a ligar após algum tempo).
		2	Inversão de fase	Conexão de fase incorreta	Verifique a alimentação elétrica trifásica (J2) ao Módulo B Plus, se as 3 fases estiverem na sequência correta. Se não, faça a conexão de alimentação elétrica correta em sequência e reponha manualmente o Módulo B Plus (desligue a unidade e volte a ligar após algum tempo).

Tabela 1: Código de intermitência de erro (LED 2 amarelo - código de intermitência vermelho)

Instruktioner (Svenska)

Optyma™ Plus

OP-MPS, OP-MPT, OP-LPV, OP-LPK och OP-MPI



Elskåpet Optyma™ Plus har kapslingsklass IP54 för att undvika snabb migrering av A2L-köldmediet. Tätningen måste underhållas och eventuella skador på tätningen måste repareras på lämpligt sätt. (se avsnitt 8 – Säkerhet)
E-Box-dörren måste alltid vara stängd under drift och efter service/periodiskt underhåll.
Installation och servicearbete får endast utföras av kvalificerad personal. Följ dessa instruktioner och goda kylningsteknikmetoder vid installation, driftsättning, underhåll och service.
Aggregatet får endast användas i de syften som den är ämnad för och inom dess tilltänkta användningsområden samt enligt anvisningarna. Köldmediet ska användas enligt specifikationen för respektive modell.
Under alla omständigheter måste EN378-kraven och andra tillämpliga lokala säkerhetsföreskrifter uppfyllas.
Aggregatet levereras med ett kvävgastryck (2 bar (gauge)) och kan därför inte anslutas i befintligt skick. Läs avsnittet installation för ytterligare information.
Aggregatet ska hanteras med försiktighet och i upprätt position (maximal förskjutning från upprätt position: 15°).
Luftkylda aggregat kan användas med A2L-köldmedier. Nödvändig försiktighet måste iaktas vid installation och service.
För A2L-köldmedier gäller att alla komponenter i kylkretsen måste vara A2L-certifierade. Exempel: Förångare och expansionsventil
För modeller i PED-kat. I: Överströmningsventilen ska monteras i köldmediesystemet vid fältinstallation. Överströmningsventilen ska monteras på mottagarkärl. För modeller i PED-kat. II: Överströmningsventilen är fabriksmonterad med en kondenseringsenhet på vätskebehållaren med en tryckinställning på 34,5 ± 1 bar. (Se avsnitt 3.1 – överströmningsventil)
Användning av mottagarens Rotolock-ventil bör manövreras av utbildad/utbildad professionell operatör. Se till att alla rotolåsventiler är öppna under CU-drift.

Relevanta standarder och direktiv

EN 378-2:2016: Kylningssystem och värmepumpar – Säkerhets- och miljökrav

EN 60335-1: Elektriska hushållsapparater och liknande bruksföremål – Säkerhet – Del 1: Allmänna krav

EN IEC 61000-6-8:202: Elektromagnetisk kompatibilitet (EMC) Del 6–8: Allmänna standarder

EN 60335-2-40: Elektriska hushållsapparater och liknande bruksföremål

EN 60335-2-80: Elektriska hushållsapparater och liknande bruksföremål

Lågspänningsdirektivet nr 2014/35/EU

Maskindirektivet nr 2006/42/EU

Tryckkärlsdirektivet (PED) nr 2014/68/EU

RoHS-direktivet 2011/65/EU

WEEE-direktivet 2012/19/EU

(Andra lokala tillämpliga standarder)

1 – Introduktion

Dessa anvisningar gäller Optyma™ Plus luftkylda aggregat OP-MPS, OP-MPT, OP-LPV, OP-LPK och OP-MPI som används för kylsystem. De innehåller nödvändig information om säkerhet och korrekt hantering av denna produkt.

Aggregatet inkluderar följande:



- Värmeväxlare med mikrokanaler
- Kolv- eller scrollkompressor
- köldmediebehållare med stoppventil
- Kulventiler med schraderventil
- Synglas (flareanslutningar)
- Tryckomvandlare för insug och utlopp
- Hög- och lågtrycksbrytare
- Torkfilter (flareanslutningar)
- Elektroniska regulatorer
- Huvudkrets-brytare (huvudbrytare med överlastskydd)
- Fläkt- och kompressorkondensator
- Kontakter för kompressor KM
- Robust väderskyddat hus
- IP54 Elpanel med helt fördragna ledningar
- AC fläktmotor för H1 & H2 modeller
- EC Fläktmotor för H3 & H4-modeller
- Överströmningsventilen monteras i modellerna i PED-kat. II (tekniskt datablad – Bilaga – A)
- Anslutna komponenter är utrustade med Schradereport
- Vätskeinsprutningsregulator (Module B Plus)*
- Elektronisk expansionsventil (ETS6) för vätskeinsprutning*

* Endast för P02-versionsmodeller

2 – Hantering och lagring

- Använd inte lödutrustning när aggregatet är trycksatt.
- A2L-köldmedier är tyngre än luft, och därför rekommenderar Danfoss att du installerar dem ovan marknivå. Se bilaga A.
- Det rekommenderas att inte öppna förpackningen innan enheten är på den slutliga installationsplatsen.
- Hantera enheten med försiktighet. Förpackningen kan flyttas med en gaffeltruck eller pallyft. Använd tillämplig och säker lyftutrustning.
- Förvara och transportera enheten i upprätt läge.
- Förvara enheten i temperaturer på mellan -35 °C och 50 °C.
- Utsätt inte förpackningen för regn eller frätande miljöer.
- Kontrollera att enheten är hel och oskadad efter uppackningen.

3 – Försiktighetsåtgärder vid montering

	Använd inte lödutrustning när aggregatet är trycksatt.
	Placera enheten så att den inte blockerar eller hindrar gångar, dörrar, fönster eller liknande.
	A2L-köldmedier är tyngre än luft. Enheten måste installeras ovanför golvnivå för att ventilationen i kompressorutrymmet ska vara god.



Överströmningsventil: I modellerna i PED-kat. II är överströmningsventilen redan installerad. För modellerna i PED-kat. I ska överströmningsventilen monteras på plats under installationen.

- Kontrollera att det finns tillräckligt stort utrymme runt enheten för luftcirkulation och lucköppning. Minsta tillåtna avstånd till väggarna anges i bilaga A.
- Installera inte enheten på platser som utsätts för solsken dagligen och/eller under längre perioder.
- Installera inte enheten i aggressiva eller dammiga omgivningar.
- Kontrollera att den horisontella grunden (mindre än 3° lutning) är stark och stabil nog för att bära hela enhetens vikt och eliminera vibrationer (använd infästningar, dynor eller stöd) och störningar.
- Omgivningstemperaturen får aldrig överstiga 63 °C när enheten är ur bruk.
- Kontrollera att strömförsörjningen motsvarar enhetens egenskaper (se typskylt).
- När du installerar enheter som är avsedda för R454C-, R455A- och R1234yf-köldmedier måste du använda utrustning som är ämnad just för A2L-köldmedium och som aldrig tidigare har använts för HFO, CFC- eller HCFC-köldmedier.
- Använd rena och vattenfria koppar-/aluminiumrör godkända för kylning med lämplig tjocklek och silverlegeringsmaterial vid lödning.
- Använd rena och vattenfria systemkomponenter.
- Sugledningarna som kopplas till kompressorn måste vara flexibla i 3 dimensioner för att dämpa vibrationer. Rördragningen måste även göras så

Instruktioner

att oljereturen till kompressorn garanteras och risken för vätskeslag i kompressorn elimineras.

- Optyma luftkylt aggregat är utrustat med en sug- och vätskeventil med Schrader-port för fältservicearbete
- Optyma Plus-enhetskoderna 114X34-- och 114X44- har två inline-behållare med ventiler. Se till att båda ventilerna är öppna innan du börjar.

3.1 – Överströmningsventil

	<p>I Optyma™ Plus luftkylda aggregat, i PED-kat. II är överströmningsventilen fabriksmonterad med 34,5 ±1 bar förinställning. (Se tekniska data för PED-kategori i Bilaga A).</p>
	<p>För Optyma Plus™ luftkylda aggregat i PED-kat I, måste överströmningsventilen monteras (se tekniska data för PED-kategori i Bilaga A).</p>
	<p>Överströmningsventilen används som en skadebegränsande anordning, inte som en tryckbegränsande anordning.</p>

- Överströmningsventilen ska monteras på vätskebehållaren med 3/8 tums NPT-koppling. (Se Coolselector2 för reservdelskod för överströmningsventilen). Använd Locatite 554 vid montering av överströmningsventilen.
- Vridmoment: 40Nm (Överskrid inte angivet vridmoment)

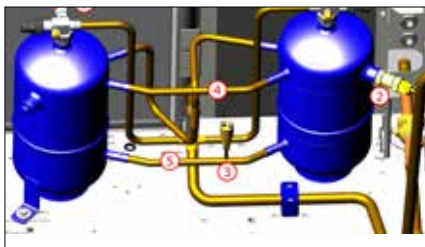


- Installatören måste ta reda på vart köldmediet som läckt ska blåsas. Danfoss rekommenderar att köldmediet blåses bort från det luftkylda aggregatet.
- Vi rekommenderar att överströmningsventilen byts ut efter utsläpp eller byte av köldmedium
- Ta inte bort tätningen och försök inte att återställa ventilen.
- Ventilerna ska installeras vertikalt eller horisontellt, men se till att tryckreduceringsventilen monteras ovanför systemets vätskenivå.
- Säkerställ att köldmediet släpps ut i atmosfären på ett säkert sätt.
- I händelse av fara har en extra reservdelsats tagits fram för uppsamling av det utsläppta köldmediet. Satsen ska installeras med korrekt rördragning för att säker avledning av köldmediet ska säkerställas. (Se bild nedan)



- Överströmningsventilen ska inte installeras på serviceventilen.
- Byt ut överströmningsventilen efter rengöring eller spärrning av systemet.
- Löstagbara fogar och ventiler får inte vara åtkomliga för allmänheten. Alla lödfogar ska uppfylla kraven i EN 14276-2, andra permanenta fogar ska uppfylla kraven i EN-16084.
- Optyma Plus-enhetskoderna 114X34-- och 114X44-

har en överströmningsventil monterad vid en av mottagarna. I den andra mottagaren finns en blindplugg installerad.



1. HP trycksändare
2. överströmningsventil
3. ACB-pessostat
4. Gasutjämningsport
5. Port för vätskeutjämnning

4 – Montering

- Installation/service av Optyma™ Plus luftkylda aggregat måste utföras av kvalificerad personal i enlighet med tillämpliga lokala/internationella bestämmelser och med korrekt personlig skyddsutrustning.
- Installationen som aggregatet monteras i måste överensstämma med direktivet om tryckbärande anordningar 2014/68/EU. Aggregatet utgör inte i sig en enhet, i enlighet med detta direktiv.
- Enheten måste monteras på ett säkert sätt och på en stadig och stabil grund och fixeras från början. Se bilaga A.
- Du bör installera enheten på gummiinfästningar eller vibrationsdämpare (medföljer ej).
- Flera enheter kan staplas ovanpå varandra.

Enhet	Maximal stapling
Hölje 1 (Kodnr 114X31-- eller 114X41--)	3
Hölje 2 (Kodnr 114X32-- eller 114X42--)	2
Hölje 3 (Kodnr 114X33-- eller 114X43--)	2
Hölje 4 (Kodnr 114X34-- eller 114X44--)	2

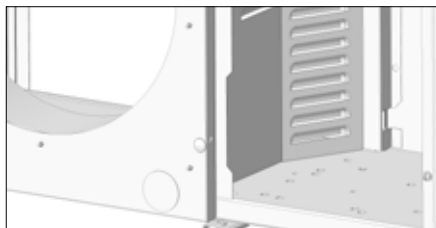
- Vid stapling måste den översta enheten säkras mot väggen, enligt bild 2.
- Släpp långsamt ut det kväve som håller trycket genom Schrader-porten.
- Anslut enheten till systemet så snart du kan för att undvika att oljan kontamineras av luftfuktighet.
- Se till att inget material kommer in i systemet medan du skär till rören. Borra aldrig hål om grader/borrskägg inte kan tas bort.
- Löd med stor försiktighet med hjälp av den bästa tekniken och ventiler i rörsystemet med kvävgasflöde.
- Anslut alla nödvändiga säkerhets- och styrenheter. När Schrader-porten används för detta ska dummy-kåpan tas bort.
- Du bör isolera sugledningen från förångaren upp till kompressorängingen med isolering på 19mm.
- Kontrollera att det inte finns köldmedium eller skador inuti enheten och att det inte finns några sprickor i rören.
- Säkerställ att alla komponenter i elskåpet är skyddade mot elektrisk överbelastning och att de inte utgör antändningskällor.
- Fältledningarna får endast dras genom IP65-kabelboxar och kabelgenomföringsplåten. För all ytterligare ledningsdragning gäller att det är strängt förbjudet att borra eller sticka hål i elpanelens sidor.
- För fältledning gäller att endast nödvändiga hål får göras. Inga hål som gjorts får lämnas utan kabel

i dem. Om önskad håltagning inträffar ska hela packningsplåten bytas ut.

118U5258 – Reservdel, kabelförskruvning



- Skiljevåg och basplatta har särskilda öppningar för förventilation. Täta/blockera/stäng inte öppningarna på något sätt.



- I händelse av riskfyllda läckage startar fläkten före kompressorn med en startfördröjning på 30 sekunder för att undvika köldmediekoncentration i kompressorutrymmet.
- Rörmaterial av koppar ska uppfylla kraven i SS-EN12735-1. Alla rörkopplingar ska uppfylla kraven i SS-EN14276-2
- Vid fältinstallation ska stöd läggas till baserat på storlek och vikt. Rekommenderat största avstånd mellan stöden för rörledningar enligt EN12735-1 och EN12735-2
- Anslutning av rörledningar ska utföras innan ventilerna öppnas så att köldmedium kan flöda mellan kylsystemets delar.

5 – Läckavkänning

	<p>Fyll aldrig kretsen med syre eller torr luft. Detta kan orsaka brand eller explosion.</p>
--	--

- Använd inte färg för att kontrollera med avseende på läckage.
- Kontrollera hela systemet med avseende på läckage.
- Det maximala provtrycket är 25 bar.
- Då ett läckage upptäcks ska det repareras och ytterligare en kontroll utföras.

6 – Vakuumavfuktning

- Använd aldrig kompressorn för att evakuera systemet.
- Anslut en vakuumpump till både låg- och högtryckssidorna för snabbare och mer effektiv evakuering.
- Vakuumpumpen måste vara certifierad för användning i A2L-köldmediemiljö eller ATEX-certifierad
- Dra ner systemet under ett vakuum på 500 µm Hg (0,67 mbar) absolut tryck.
- Använd inte en megohmmeter och anslut inte kompressorn till elförsörjning när den står under vakuum eftersom detta kan orsaka intern skada.

7 – Elektriska anslutningar

- Kontrollera att alla elektriska anslutningar inne i det luftkylda aggregatet är ordentligt anslutna eftersom de kan ha lossnat under transporten.
- Stäng av och isolera huvudströmbrytaren.
- Kontrollera att spänningsmatningen inte kan slås till under installationen.
- Alla elektriska komponenter måste väljas i enlighet med EN60335-1, EN60204 eller lokal tillämplig standard och enhetskrav.

Instruktioner

- De elektriska anslutningarna visas på kopplingsschemat.
- **Alla elektriska komponenter måste vara godkända för användning tillsammans med A2L-köldmedier och de får inte utgöra antändningskällor.**
- Kontrollera att strömförsörjningen motsvarar enhetens egenskaper och att strömförsörjningen är stabil (Tillåten spänningstolerans $\pm 10\%$ och tillåten frekvenstolerans $\pm 2,5\text{ Hz}$).
- Nätkablarna måste motsvara enhetens spänning, strömstyrka och omgivande förhållanden. Se märkskylten för information om spänning och strömstyrka.
- Skydda strömförsörjningsledningen och kontrollera att jordningen är korrekt utförd.
- Kontrollera att strömförsörjningen uppfyller lokala standarder och lagstadgade krav.
- Enheten har en elektronisk styrenhet. Mer information finns i bruksanvisning 118U3808.
- Enheten har en huvudbrytare med överlastskydd och kortslutningsskydd. Överlastskyddet är förinställt men du bör kontrollera värdet innan du startar enheten. Överlastskyddets värde finns i kopplingsschemat i enhetens främre lucka.
- Enheten har hög- och lågtrycksbrytare som omedelbart stänger av strömförsörjningen till kompressorn vid aktivering. Parametrarna för hög- och lågtrycksfrånslag är förinställda i styrenheten och anpassade till kompressorn som är installerad i enheten.
- P02-versionsmodellerna (OP-xxxxxxxP02E) är utrustade med ett elektroniskt kretsverk för styrning av den elektroniska expansionsventilen med vätskeinsprutning (Module B Plus). Se avsnittet "Module B Plus – bruksanvisning" i denna användarhandbok.
- Startfrekvensen för Optyma™ Plus luftkylda aggregat måste begränsas för kolvkompressorer.
 - Utan startkondensator max 5 starter per timme.
 - Med startkondensator max 10 starter per timme.

8 – Säkerhet

	Elskåpets dörr ska vara stängd innan den ansluts till strömförsörjningen.
	Temperaturen i utloppsroret når upp till 120 °C när enheten är i drift.
	Vi rekommenderar att överströmningsventilen installeras inuti enheten och att utsläpp av köldmedium ska ledas direkt ut i atmosfären.
	Optyma plus enhetskoder 114X34- och 114X44-, högtrycksvakt monterad efter mottagaren. Om Rotolock-ventilerna är stängda under nedpumpningscykeln kommer inte HP-omkopplaren att lösas ut.

Enheten har vätskebehållare med en säkringsadapter med 3/8" NPT-koppling. Installatör/slut användare kan välja olika alternativ som nämns i EN378-2: 2016 punkt 6.2.2.3

- Den enhet/installation som aggregatet monteras/byggs in i måste uppfylla kraven i PED.
- Var uppmärksam på mycket varma och kalla komponenter.
- Var uppmärksam på rörliga komponenter. Strömtillförseln ska vara frånkopplad vid service.
- Enligt EU:s F-gasförordning betraktas R1234yf, R454C och R455A som A2L-köldmedier. Optyma™ Plus-enheter är godkända tillsammans med R1234yf, R454C och R455A. Alla försiktighetsåtgärder och säkerhetsåtgärder måste vidtas före och efter installation.
- Alla komponenter ska vara kompatibla för användning tillsammans med specificerade

köldmedier i enlighet med Optyma™ Plus-koderna för luftkylda aggregat. Se bilaga A.

- För att undvika ljusbåge mellan hermetiska anslutningsstift får kompressorn inte startas och elektriska tester såsom dielektrisk hållfasthet inte utföras när kylsystemet är under vakuum.
- De luftkylda aggregaten Optyma™ Plus har förventilation via kondensorfläkten innan kompressorn startar (30 sekunder).
- Danfoss rekommenderar alltid användning av IP54-huvudelskåpet. Om gummipackningen är skadad (visas nedan) ska den omedelbart bytas ut av kunden.
- Kompressorn har ett internt överbelastningsskydd. Den skyddar kompressorn mot trycket högre än 32 bar.



- Ventilerna och löstagbara fogar får inte finnas i områden som är tillgängliga för allmänheten, förutom när de överensstämmer med SS-EN 16084
- Köldmedierledningar ska skyddas eller inneslutas för att skador ska undvikas.
- Fältrörelser ska installeras i korrosions- och saltrika miljöer för att korrosion i koppar/aluminiumrörledningar ska undvikas.
- Vid brand ökar trycket på grund av ökad temperatur vid behållaren. Därför är det mycket viktigt att en överströmningsventil installeras.
- För koderna 114X34- och 114X44- tillhandahålls en dörrbegränsningsbrytare för säkerhetsändamål. Ta inte bort eller ändra anslutningen.

9 – Fylla systemet

- Starta aldrig kompressorn under vakuum. Kompressorn ska vara avstängd.
- Använd bara det köldmedium som enheten är konstruerad för.
- Ta på dig lämplig personlig skyddsutrustning innan du fyller på köldmedel i Optyma™ Plus luftkylda aggregat.
- Läs på kompressoretiketten vilken oljetyp som krävs om du behöver fylla på olja. Kontrollera riktlinjerna för kompressorapplikation avseende lägsta oljenivå före påfyllning.
- Använd vätskeventilen i köldmedelscyklern för glidköldmedier som R454C, R455A, R448A, R449A, R452A.
- Fyll på flytande köldmedium i aggregatet eller vätskebehållaren. Systemet ska laddas långsamt till 4–5 bar för R404A/R507, R407A, R407F, R448A/R449A, R452A, R454C, R455A och cirka 2 bar för R134a, R513A och R1234yf.
- Fortsätt laddningen tills installationen har uppnått ett stabilt nominellt tillstånd under drift.
- Låt aldrig fyllningscyklern vara ansluten till kretsen.
- Led inte vätskeköldmedium genom sugledningen.
- Det är inte tillåtet att blanda tillsatser med oljan och/eller köldmediet.
- Se till att påfyllningsområdet är välventilerat vid påfyllning av A2L-köldmedium.
- Vätskebehållaren är utrustad med en Rotolock-ventil för serviceändamål. Som fabriksinställning är ventilen i helt öppet läge. Vid underhåll och nedpumpning måste ventilen vridas medurs tills den är i helt stängt läge.
- Sug-, vätske- och mottagar-Rotolock-ventiler

finns vid Schrader-porten för servicearbete som gasladdning och tryckmätning.

10 – Ställa in den elektroniska styrenheten

	Ändra styrenhetens parameter o37 till 1 vid eftermontering av SPPR (relä för försörjningsövervakning). Om du lägger till tillvalet SPPR för att skydda kompressorn ska inställning o37 ändras från 0 till 1.	
	För P02-versionsmodeller (OP-xxxxxxxP02E) är o30-värdena endast 19=R404A/40=R448A/41=R449A/51=R454C/52=R455A i styrenheten	
Vätskegrupp	Köldmedium	Parameter (o61*)
A2L	R455A & R454C	LLZ013, LLZ015, LLZ018, LLZ024 & LLZ034 = 19
		MLZ058 & MLZ076 = 18
A1	R404A/R507, R452A, R448A & R449A	LLZ013 = 43 LLZ015 = 44 LLZ018 = 45 LLZ024 = 39 LLZ034 = 40 MLZ058 = 37 MLZ076 = 38

* Refer Optyma™ plus controller installation – User manual (BC08728642552802)

- Enheten har en elektronisk styrenhet som är fabriksprogrammerad med parametrar för den aktuella enheten. Mer information finns i bruksanvisning 118U3808.
- Den elektroniska styrenheten visar temperaturvärdet för sugtrycket i °C som standard. Om du vill visa temperaturvärdet för kondenseringsstrycket trycker du på den nedre knappen Bilaga A, bild 3.
- Ta bort regulatorplint D11 (rumstermostatingång) för att undvika oönskad kompressorstart. Sätt tillbaka den när inställningarna är klara.

Den elektroniska regulatorn är förinställd från fabriken för R404A, R449A, R452A, R134a, R454C och R1234yf beroende på kompressormodell som installerats och tillämpning (se installationshandbok 118U3808 för Optyma™-regulatorn). Om något annat köldmedium används måste inställningen för köldmediet ändras.

- Tryck in den övre knappen under några sekunder. Kolumnen med parameterkoderna visas.
- Parameter r12 måste vara inställd på 0 före (programvarans huvudbrytare = av).
- Tryck på de övre och nedre knapparna tills du hittar parameterkoden o30.
- Tryck på knappen i mitten tills parametervärdet visas.
- Tryck på den övre eller nedre knappen för att välja ett nytt värde: 3 = R134a. 17 = R507. 19 = R404A. 20 = R407C. 21 = R407A. 36 = R513A. 37 = R407F. 40 = R448A. 41 = R449A. 42 = R452A. 39 = R1234yf. 51 = R454C. 52 = R455A
- Tryck på knappen i mitten för att bekräfta det valda värdet.
- Tryck på de övre eller nedre knapparna tills du hittar parameterkoden r84 (r84 = högsta tillåtna utsläppstemperatur).
- Tryck på den mellersta knappen, standard maximal utsläppstemperatur är 125 °C
- Om du vill öka värdet för ventilen trycker du på den övre knappen för att välja det nya värdet: 130°C. tryck på knappen i mitten för att bekräfta

Instruktioner

det valda värdet.

- Högsta tillåtna utsläppstemperatur (r84) ska inte överstiga 130 °C

Optyma Plus 114X33YY och 114X43YY-enheterna är utrustade med EC-fläktmotor. Optyma Plus-regulatorns parameter F17 modifieras till 2 för detta för att aktivera 0-10V fläkthastighetskontrollutgången. Som fabriksinställning är max. fläkthastighetsparameter F19 är inställd på 80 % för att begränsa fläkthastigheten och buller i bostadsområden. Installatörer kan öka detta max. hastighet upp till 100 %, om det avgivna bruset inte är en begränsning. Den digitala ingången DI2 från regulatorn ansluts till modul B+ (endast för P02-versionerna). Här indikeras det larm som stoppar kompressorn i händelse av fel i modul B+. Regulatorparametern o37 måste vara inställd på 1.

Hastighetsvariationen för EC-fläktmotorn kommer att styras av Optyma Plus-styrenheten, genom att mäta skillnaden mellan omgivningstemperatur och mättad kondenseringstemperatur (Dagg). Mindre skillnad, högre hastighet. Fabriksinställningen är 8K. Det justerbara området kommer att vara 2-20 K. För att justera, från startskärmen på Optyma-kontrollern (visar mättad sugtemperatur), tryck på mittknappen och ändra värdet med den övre eller nedre knappen.

11 – Kontroll före driftsättning

	Använd säkerhetsanordningar som säkerhetsstrykvakter eller säkerhetsventiler (medföljer ej) i enlighet med både gällande allmänna och lokala regler och säkerhetsstandarder. Kontrollera att de fungerar och är korrekt inställda.
	Kontrollera att inställningarna på högtrycksbrytarna och säkerhetsventilerna inte överskrider det maximala servicetrycket på någon systemkomponent.

- Innan du startar det luftkylda aggregatet ska du kontrollera att mottagarventilerna och kulventilen är helt öppna.
- Kontrollera att alla elektriska anslutningar inne i det luftkylda aggregatet är ordentligt anslutna eftersom de kan ha lossnat under transporten.
- Om en vevhusvärmare krävs måste denna startas minst 12 timmar före den första drifttagningen eller efter långvarig avstängning för vevhusvärmare av remtyp.
- Vevhusvärmaren måste sitta ordentligt fäst vid kompressorhöljet. Se till att den inte faller ned och spänningssätts i luften.
- Elskåpets dörr måste vara ordentligt stängd med hjälp av vredet på dörrpanelen.
- Alla slangar (vätska och sugning) som ska sammankopplas med Optyma™ Plus luftkylda aggregat måste dimensioneras korrekt beroende på förångarens placering.
- Tryckfall i sug- och vätskeledningsrören måste utvärderas efter förångarens placering och avstånd (se Coolselector2).
- Sug-/utloppstryck för Optyma™ Plus luftkylda aggregat måste ligga inom driftområdet. Använd aldrig det luftkylda aggregatets sugtryck under absolut tryck (vakuum).
- Enheten har en huvudbrytare med överlastskydd. Överlastskyddet är förinställt från fabrik, men du bör kontrollera värdet innan du tar enheten i drift. Överlastskyddets värde hittar du på kopplingsdiagrammet på enhetens främre lucka.
- Kontrollera om givaren för utloppstemperatur sitter ordentligt fast och har ordentlig kontakt med utloppsröret.

- Se till att du har läst installationsanvisningarna som medföljer det luftkylda aggregatet.
- Använd endast korrekt köldmedium enligt specifikationen på märkplåten.
- Kontrollera kompressorns oljenivå.
- Kontrollera att alla serviceventiler är öppna.
- Kontrollera att högtryckstransmittern är öppen mot systemet.
- Kontrollera att alla mekaniska anslutningar är åtdragna.
- Kontrollera att alla elektriska överbelastningsinställningar är korrekta.

12 – Start

- Enheten får bara startas om köldmedium har laddats i den.
- Alla serviceventiler måste stå öppna.
- Rotalock-ventilen på mottagaren ska vara helt öppen. Vrid motsols för att öppna helt.
- Kontrollera att enhetens och elnätets spänningar stämmer överens.
- Kontrollera att vevhusvärmaren arbetar.
- Kontrollera att fläkten kan rotera fritt.
- Kontrollera att skyddet på baksidan av aggregatet har tagits bort.
- Balansera det höga och låga trycket.
- Starta enheten. Kondensorfläkten måste starta omedelbart och efter 30 sekunders fördröjning startar kompressorn (förventilation).
- Eventuell omvänd rotation hos en 3-faskskompressor kan upptäckas på följande sätt: Kompressor bygger inte upp tryck, den låter onormalt högt och/eller drar onormalt lite ström. Stäng i sådana fall av enheten omedelbart och anslut faser till rätt terminaler.
- Om rotationsriktningen är korrekt ska indikeringen för lågt tryck på regulatorn (eller lågtrycksmanometern) visa ett sjunkande tryck och indikeringen för högt tryck (eller högtrycksmanometern) ska visa ett ökande tryck. (endast vid uppstart)

13 – Kontroll medan enheten är i drift

- Kontrollera fläktens rotationsriktning. Luftflödet ska gå från aggregatet till fläkten.
- Kontrollera aktuell strömförbrukning och spänning.
- Kontrollera att suggasen inte överhettas för att minska risken för vätskeslag.
- När det finns ett kompressorsynglas kontrollerar du oljenivån i början av och under användningen så att du ser att oljenivån syns.
- Följ driftsbegränsningarna.
- De luftkylda Optyma™ Plus-aggregaten är konstruerade för drift i upp till 43°C. Vid normal drift eller toppdrift får den mättade daggpunktskondenseringstemperaturen inte överstiga 63°C för R404A/R507, R448A, R449A, R452A, R454C, R455A. Den mättade daggpunktskondenseringstemperaturen får inte överstiga 65°C för R134a, R513A och R1234yf.
- Kontrollera alla rör så att de inte vibrerar onormalt. Rörelser som överskrider 0,15 mm kräver korrigeringar med till exempel rörfästen.
- När det behövs kan mer flytande köldmedium fyllas på på lågtryckssidan så långt från kompressorn som möjligt. Kompressorn måste vara i drift under denna process.
- Överbelasta inte systemet.
- Följ lokala föreskrifter beträffande återställning av köldmediet från enheten.
- Släpp aldrig ut köldmedium i atmosfären.
- Innan du lämnar installationsplatsen ska du utföra en allmän inspektion av installationen för att kontrollera renlighet, ljudnivå och läckage.
- Notera typ av och mängd kylmedel som laddats och driftsvillkor som en referens för framtida inspektioner.

- Kontrollera sug- och utsläppstryck samt temperatur.
- Kontrollera att köldmediefyllningen och motorernas tomgångsström fungerar korrekt.
- Kontrollera kompressorns sugöverhettning för att minska risken för vätskeslag.
- Låt systemet gå i 3–4 timmar. Kontrollera kompressorns oljenivå och fyll på med rätt oljetyp enligt märkplåten på enheten och kompressorn.
- Kontrollera kompressorns oljenivå igen efter 24 timmars drift.
- Utför det slutliga läckagetestet och kontrollera att alla höljen är monterade och alla skruvar åtdragna.
- Slutför köldmediemärkning för överensstämmelse med lokal standard
- Scrollkompressorer får köras med maximalt 12 start-/stoppcykler per timme.
- Kolvkompressorer får köras med maximalt 10 start-/stoppcykler per timme.
- Se till att underhåll utförs i enlighet med installationsanvisningarna.

14 – Körning utan styrenhet i nödläge

Om styrenheten slutar fungera kan det luftkylda aggregatet fortfarande köras, såvida styrenhetens standardanslutning har ändrats till en tillfällig anslutning enligt beskrivningen nedan.

	Den här modifieringen får bara utföras av behörig elektriker. Följ alltid gällande lagar och bestämmelser i det aktuella landet.
	Koppla från det luftkylda aggregatet från strömtillförseln (stäng av den med huvudbrytaren)
	Regulatorn måste bytas ut så snart som möjligt för att undvika att livslängden förkortas.

- Rumstermostatens kontakt vid 24–25 (dvs. DI1) måste kunna koppla om 250 V AC.
- Ta bort kabel 22 (säkerhetsingång DI3) och kabel 24 (rumstermostat DI1) och koppla samman dem med en isolerad anslutningsbrygga 250 V AC, 10 mm².
- Ta bort kabel 25 (rumstermostat DI1) och kabel 11 (kompressormatning) och koppla samman dem med en isolerad anslutningsbrygga 250 V AC, 10 mm².
- Ta bort kabel 6 och anslut den med anslutningsbrygga för kabel 11 och 25. En fläktryckbrytare eller fläktvarvtalsregulator kan seriekopplas till kabel 6.
- Ta bort kabel 14 (vevhusvärmare) och anslut den till kompressorns kontaktorplint 22.
- Ta bort kabel 12 (matning till vevhusvärmare), förläng kabeln med en 250 V AC, 10 mm² anslutningsbrygga och 1,0 mm² brun kabel, och anslut den till kompressorns kontaktorplint 21.
- Ta bort det stora anslutningsblocket från styrenhetens anslutningar 10 till 19.
- Anslut aggregatet till strömtillförseln (slå till huvudbrytaren).
- För 114X33YY och 114X43YY-enhet med EC-fläktmotor, öppna fläktmotorns uttagslådan och anslut 0-10V fläkthastighetsingången till 10V matningsterminalen

15 – Underhåll

Instruktioner

	<p>Stäng alltid av strömförsörjningen till det luftkylda aggregatet genom att stänga av huvudströmbrytaren innan du öppnar fläktpanelen.</p>
	<p>Det interna trycket och ytttemperaturen utgör en fara och kan orsaka permanenta skador. Underhållspersonal och installatörer måste ha rätt personlig skyddsutrustning, rätt utbildning och verktyg för att utföra underhållsarbetet. Rörtemperaturen kan överskrida 100 °C och kan orsaka allvarliga brännskador.</p>
	<p>Rutinmässiga serviceinspektioner ska utföras för att systemet ska fungera pålitligt och enligt lokala föreskrifter.</p>

För att förhindra att systemrelaterade problem med kompressorn uppstår rekommenderar vi att följande rutinmässiga underhållsarbete utförs:

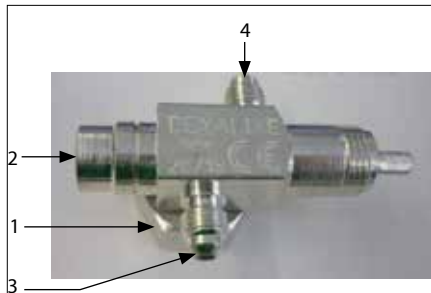
- Kontrollera att säkerhetsenheter fungerar och är korrekt inställda.
- Kontrollera att systemet är tätt och att det inte läcker.
- Kontrollera kompressorns aktuella spänning.
- Bekräfta att systemet drivs på ett sådant sätt som är konsekvent med tidigare underhållsnoteringar och omgivningsvillkor.
- Kontrollera att alla elektriska anslutningar fortfarande är ordentligt anslutna.
- Håll enheten ren och kontrollera att det inte finns någon rost eller oxidering på enhetens komponenter, rör och elektriska anslutningar.
- Värmeväxlarens mikrokanalyta har rengjorts ordentligt för att undvika igensättning.

Aggregatet måste kontrolleras åtminstone en gång per år så att den inte slammar igen och rengöras vid behov. Åtkomst till kondenseringsenhetens innerutrymmen sker genom fläktluckan. Mikrokanalskondensorer brukar ackumulera smuts på ytan mer än på insidan, vilket gör dem enklare att rengöra än kondensorer med flänsar och rör.

- Stäng av strömförsörjningen till det luftkylda aggregatet genom att stänga av huvudströmbrytaren innan du öppnar fläktpanelen.
- All elektrisk utrustning, personlig skyddsutrustning och alla verktyg måste vara kompatibla och godkända för användning med A2L-köldmedier som R454C, R455A och R1234yf.
- Ta bort smuts, löv, fibrer osv. med en dammsugare som har en borste eller något annat mjukt verktyg. Du kan även blåsa tryckluft genom spolen inifrån och ut och borsta med en mjuk borste. Använd inte en stålborste. Slå inte på eller skrapa spolen med dammsugaren eller luftmunstycket.
- Kontrollera att öppningarna i skiljeväggen och basplattan är fria inför förventilation.
- Innan du stänger fläktluckan ska du ställa in fläktbladet i ett säkert läge så att luckan inte slår emot fläkten.

Om köldmediesystemet har öppnats måste systemet rensas med torr luft eller kväve för att få bort fukt, varefter ett nytt torkfilter ska monteras. Om

köldmediet måste tas bort ska arbetet utföras på ett sådant sätt att köldmediet inte kan förorena naturen.



1. Ventilinlopp
2. Ventilutlopp
3. Högtrycksbrytare (Schrader-port)
4. Service-port

- Ventil helt stängd (ventilspindel helt vriden medurs)
- 1,3 och 4 anslutna
- 2 har inte anslutning till andra portar
- Ventil öppnade några varv (ventilspindel någonstans mellan öppen och stäng)
- 1,2, 3 och 4 anslutna
- Ventil helt öppen (ventilspindeln helt vriden moturs)
- 1,2 och 3 anslutna
- 4 har ingen anslutning till andra portar

Spindeln helt stängd



Spindeln helt öppen



16 – Försäkran om inbyggnad

• **Pressure Equipment Directive 2014/68/EU SS-EN 378-2:2016** – Kylningssystem och värmepumpar – Säkerhets- och miljökrav – Del 2: Utformning, konstruktion, provning, märkning och dokumentation.

• **Lågspänningsdirektivet 2014/35/EU SS-EN 60335-1:2012 + A11:2014** – Elektriska hushållsapparater och liknande bruksföremål – Säkerhet – Del

1: Allmänna krav för alla nedanstående luftkylda aggregat.

• **Ekodesigndirektivet 2009/125/EG** som utgör ett ramverk som fastställer ekodesignkrav för energirelaterade produkter.

• **FÖRORDNING (EU) 2015/1095** där ekodesigndirektivet 2009/125/EG implementeras avseende ekodesignkrav för kylskåp och frysar för professionellt bruk, snabbnedkylningsskåp, luftkylda aggregat och processkylaggregat.

• Luftkylda aggregat mäts i enlighet med standarden **SS-EN 13771-2:2017** – Kylkompressorer och kondensorenheter – Prestandaprovning och provningsmetoder – Del 2: Luftkylda aggregat. Deklaration om ekodesign; se Danfoss Coolselector*2 med kodnummer (114X...) för att hitta deklARATIONEN.

17 – Garanti

Ange alltid modell- och serienummer vid eventuell skadeanmälan på denna produkt. Produktgarantin kan bli ogiltig i följande fall:

- Typskylten saknas.
- Ändringar har gjorts på utsidan, t.ex. borrar, svetsning, trasiga fötter och märken.
- Kompressorn är öppnad eller skickas tillbaka oförseglad.
- Det finns rost, vatten eller färg för upptäckt av läckor inuti kompressorn.
- Ett köldmedium eller smörjmedel som inte har godkänts av Danfoss har använts.
- De rekommenderade instruktionerna för installation, användning eller underhåll har inte följts.
- Användning i rörliga applikationer.
- Användning i explosiva miljöer.
- Modellnumret eller serienumret har inte skickats med kravet.

18 – Skrotning

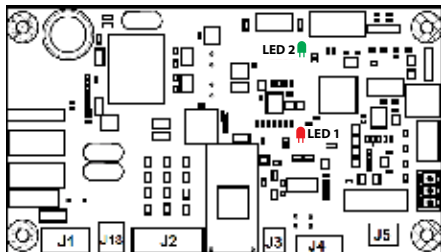


Danfoss rekommenderar att aggregaten och oljan återvinns av ett lämpligt företag och på deras område.

Instruktioner

19 - Module B Plus – bruksanvisning

Module B Plus är ett elektroniskt kretskort som används i P02-versioner modeller för automatisk vätskeinsprutning i en scrollkompressoruppsättning med en elektronisk expansionsventil.



Module B Plus

Module B Plus täcks av ett beröringsskydd som visas i bild 6.

⚠ Ta inte bort beröringsskyddet om det inte behövs. Stäng av enheten innan du tar bort det här skyddet.



Bild 6

Applikation

Module B Plus styr vätskeinsprutningen och övervakar även följande parametrar: hetgastemperatur, fasföljd och fasfel.

Funktionsbeskrivning

• Vätskeinsprutning

- Module B Plus kan reglera hetgastemperaturen. Standardinställningspunkten är 125 °C. Denna temperatur krävs för att det luftkylda aggregatet ska kunna köras inom ett säkert område.

⚠ Ändra inte denna inställningspunkt.

- När kompressorn stoppas stängs vätskeinsprutningsventilen under sex sekunder

• Överhettningsskydd för hetgastemperatur

- Module B Plus hetgastemperaturgivare kan känna av hetgastemperaturer inom området -50 till 180 °C, mätnoggrannhet ±0,5 °C. Hetgastemperaturgivaren är monterad 150 mm från kompressorns utloppsport.

- Om hetgastemperaturen är högre än tröskelpunkten för överhettning (inställningspunkt + 10 K) inom en sekund öppnas larmreläet (J5). Denna status kallas DGT statisk överhettning med hänvisning till tabell 1. Om hetgastemperaturen är lägre än återställningspunkten (inställningspunkt -15°C) kontinuerligt under fem minuter stängs larmreläet (J5). Denna fem minuters fördröjningsstatus kallas DGT återställningsfördröjning.

- Om hetgastemperaturen blir för hög fler än fem gånger under en timme läses larmreläet (J5) i det öppna läget och kan endast återställas genom att strömförsörjningen till Module B Plus återställs manuellt (stäng av enheten, vänta en stund och sätt sedan på den igen). Denna status kallas DGT överhettningssläs, se tabell 1 för felidentifiering.

- Om det blir något fel på hetgastemperaturgivaren, t.ex. givare öppen, kortslutning i givare eller utanför område, läses larmreläet (J5) också i det öppna läget. Se tabell 1 för felidentifiering.

• Fasset

- Fasföljd och detektering av faser som saknas genomförs bara varje gång kompressorn sätts på. Om en felaktig fasstatus av typen fasförlust eller fasomkastning detekteras öppnas larmreläet (J5) inom 4,5 till 5 sekunder och läses i det öppna läget. Detta låsta öppna läge kan endast återställas genom att strömförsörjningen till Module B Plus återställs manuellt. Se tabell 1 för felidentifiering.

• Användargränssnitt

- När Module B Plus är igång lyser LYSDIOD 1 kontinuerligt med ett fast rött sken. När modulen är avstängd är LYSDIOD 1 släckt. Om Module B Plus är igång och inget fel förekommer lyser LYSDIOD 2 kontinuerligt med ett fast grönt sken. I bild 6 kan du se var LYSDIOD 1 och

LYSDIOD 2 är placerade på Module B Plus.

- Om Module B Plus är igång och detekterar ett fel blinkar LYSDIOD 2 gult och rött en sekund i taget. I tabell 1 finns en detaljerad blinkkod.

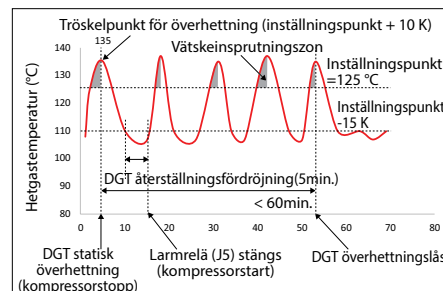
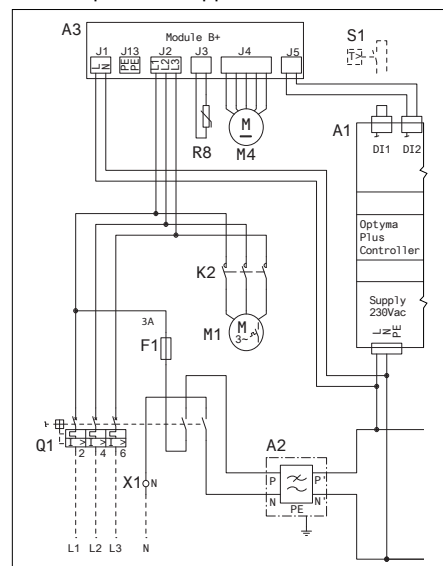


Bild 7

• Module B Plus kommunikation med Optyma Plus Controller.

- När larmreläet (J5) är öppet kommuniceras signalen till Optyma Plus Controllers digitala ingång 2 (DI2), vilket utlöser säkerhetslarmet (A97) i Optyma Plus Controller. Strömtillförseln till kompressorn stoppas då omedelbart.



Kopplingsschema för Module B Plus

Kategori	Antal blinkningar i gult	Antal blinkningar i rött	Fel	Beskrivning	Åtgärd
Hetgastemperatur	1	1	DGT statisk överhettning/DGT återställningsfördröjning	Hetgastemperaturen är högre än tröskelpunkten för kompressorstopp	Kontrollera om säkerhetslarmet (A97) visas på Optyma Controller. Om så är fallet väntar du tills felet åtgärdas automatiskt. Om felet förekommer ofta ska du kontrollera om enheten körs inom det rekommenderade området.
		2	DGT överhettningssläs	DGT statisk överhettning inträffar fem gånger inom en timme	Återställ strömtillförseln till Module B Plus manuellt (stäng av enheten, vänta en stund och sätt sedan på den igen).
		3	DGT utanför området	DGT är utanför det normala området (-50– 180 °C)	Kontrollera om givaren för hetgastemperatur är korrekt monterad på hetgasledningen. Kontrollera hetgastemperaturen på Optyma Plus Controller-parametern U27 (den ska vara inom området -50– 180 °C).
		4	DGT givare öppen/DGT kortslutning i givare	Givaren för hetgastemperatur är öppen/kortsluten	Kontrollera givaren för hetgastemperatur och anslutningen.
Trefas	2	1	Fasförlust	Enfassignalförlust	Kontrollera trefasströmtillförseln (J2) till Module B Plus för att se om någon av de tre faserna saknas. Om så är fallet ska du ansluta strömtillförseln på ett korrekt sätt och återställa Module B Plus manuellt (stäng av enheten, vänta en stund och sätt sedan på den igen).
		2	Fasomkastning	Felaktig fasanslutning	Kontrollera trefasströmtillförseln (J2) till Module B Plus för att se om de tre faserna har rätt följd. Om så inte är fallet ska du ansluta strömtillförseln på ett korrekt sätt och återställa Module B Plus manuellt (stäng av enheten, vänta en stund och sätt sedan på den igen).

Tabell 1: Blinkkoder vid fel (LYSDIOD 2 gul-röd blinkkod)

Instrukcje (Polski)

Optyma™ Plus

OP-MPS, OP-MPT, OP-LPV, OP-LPK i OP-MPI



Stopień ochrony skrzynki elektrycznej agregatu Optyma™ Plus to IP54, co zapobiega szybkiej migracji czynnika chłodniczego A2L. Uszczelkę należy konserwować, a jej uszkodzenia naprawiać w odpowiedni sposób. (Patrz część 8 – Bezpieczeństwo)

Drzwiczki skrzynki elektrycznej muszą być zawsze zamknięte podczas pracy i po serwisowaniu/konserwacji okresowej.

Agregaty skraplające mogą być instalowane i serwisowane wyłącznie przez wykwalifikowany personel. Należy postępować zgodnie z poniższymi instrukcjami i zasadami dobrej praktyki inżynierskiej w chłodnictwie, odnoszącymi się do instalacji, oddawania do użytku, konserwacji i serwisowania.

Agregat skraplający należy używać wyłącznie do celów zgodnych z przeznaczeniem oraz w zakresie przewidzianych dla niego zastosowań i zgodnie z instrukcją. Czynniki chłodnicze należy stosować zgodnie ze specyfikacją danego modelu.

Niezależnie od okoliczności należy bezwzględnie przestrzegać normy EN378 i innych obowiązujących przepisów lokalnych.

Dostarczany agregat skraplający jest napełniony azotem pod ciśnieniem (2 bar(g)), dlatego nie można go podłączyć w takim stanie; więcej informacji znajduje się w części „Instalacja”.

Zachować ostrożność podczas transportu agregatu skraplającego i nie odchyłać go od pionu (maksymalne dopuszczalne odchylenie od pionu: 15°).

Agregaty skraplające mogą być używane z czynnikiem chłodniczym A2L. Należy zachować ostrożność podczas instalacji i serwisowania.

W przypadku czynników chłodniczych A2L wszystkie elementy obiegu chłodniczego muszą posiadać certyfikat A2L. Przykład: Parownik i zawór rozprężny

Dla modeli kat. I **PED**: Zawór bezpieczeństwa PRV należy zamontować w układzie chłodniczym podczas instalacji. Zawór PRV powinien być zamontowany na zbiorniku.

Dla modeli kat. II **PED**: Zawór bezpieczeństwa PRV jest fabrycznie wbudowany w agregat skraplający na zbiorniku cieczy z nastawą ciśnienia 34,5 ± 1 bar. (Patrz część 3.1 – Zawór PRV)

Obsługa zaworu odbiornika Rotolock powinna być obsługiwana przez przeszkolonego/wykwalifikowanego profesjonalnego operatora. Upewnij się, że wszystkie zawory Rotolock są otwarte podczas pracy CU.

Obowiązujące normy i dyrektywy

EN 378-2:2016: Instalacje chłodnicze i pompy ciepła – Wymagania dotyczące bezpieczeństwa i ochrony środowiska

EN 60335-1: Elektryczny sprzęt do użytku domowego i podobnego – Bezpieczeństwo użytkownika – Część 1: Wymagania ogólne

EN IEC 61000-6-8:202: Kompatybilność elektromagnetyczna (EMC) Część 6-8: Normy ogólne

EN 60335-2-40: Elektryczny sprzęt do użytku domowego i podobnego

EN 60335-2-80: Elektryczny sprzęt do użytku domowego i podobnego

Dyrektywa niskonapięciowa nr 2014/35/UE

Dyrektywa maszynowa nr 2006/42/WE

Dyrektywa ciśnieniowa (PED) nr 2014/68/UE

Dyrektywa RoHS 2011/65/UE

Dyrektywa WEEE 2012/19/UE

(Inne obowiązujące normy lokalne)

1 – Wstęp

Niniejsze instrukcje odnoszą się do agregatów skraplających Optyma™ Plus OP-MPS, OP-MPT, OP-LPV, OP-LPK i OP-MPI stosowanych w układach chłodniczych. Zawiera ona informacje dotyczące bezpieczeństwa i prawidłowej obsługi tych sprzętów.

Agregaty skraplające składają się z następujących elementów:

- Mikrokanałowy wymiennik ciepła
- Sprężarka tłokowa lub spiralna
- Zbiornik cieczy z zaworem odcinającym
- Zawory kulowe z zaworem Schradera
- Wziernik (przyłącza śrubkowe)
- Przetworniki ciśnienia ssania i ciśnienia wylotowego
- Presostaty wysokiego i niskiego ciśnienia
- Filtr odwadniacz (przyłącza śrubkowe)
- Sterownik elektroniczny
- Wyłącznik główny (wyłącznik główny z zabezpieczeniem przeciążeniowym)
- Kondensatory wentylatora i sprężarki
- Stycznik sprężarki
- Wytrzymała obudowa odporna na warunki atmosferyczne
- W pełni okablowany panel elektryczny IP54
- Silnik wentylatora AC dla modeli H1 i H2
- Silnik wentylatora EC dla modeli H3 i H4
- Zawór PRV jest montowany w modelach kat. II PED (arkusz danych technicznych – załącznik A)
- Podłączone komponenty są wyposażone w przyłącza Schradera
- Sterownik wtrysku cieczy (moduł B Plus)*
- Elektroniczny zawór rozprężny (ETS6) do wtrysku cieczy*


* Tylko modele w wersji P02

2 – Transport i magazynowanie

- Nie przystępować do lutowania, gdy agregat skraplający znajduje się pod ciśnieniem.
- Czynniki chłodnicze A2L są cięższe od powietrza. Firma Danfoss zaleca instalację nad poziomem gruntu. Zob. załącznik A.
- Nie zaleca się otwierania opakowania przed dostarczeniem agregatu do miejsca instalacji.
- Zachowywać ostrożność podczas przenoszenia. Opakowanie jest przystosowane do przenoszenia za pomocą wózka widłowego lub wózka ręcznego do podnoszenia.
- Magazynować i transportować agregat w pozycji pionowej.
- Magazynować agregat w temperaturze od -35°C do 50°C.
- Chronić opakowanie przed działaniem deszczu oraz innych czynników atmosferycznych powodujących korozję.
- Po rozpakowaniu sprawdzić, czy agregat jest kompletny oraz czy nie jest uszkodzony.

3 – Środki ostrożności podczas instalacji

- Nie przystępować do lutowania, gdy agregat skraplający znajduje się pod ciśnieniem.
- Agregat należy usytuować w taki sposób, aby nie utrudniał poruszania się i nie blokował przejść roboczych czy drzwi ani nie zasłaniał okien itp.

	<p>Czynniki chłodnicze A2L są cięższe od powietrza. Agregat musi być zainstalowany nad podłogą, aby zapewnić dobrą wentylację komory sprężarki.</p>
	<p>PRV: Zawór PRV dostarczany jest zamontowany w modelach kat. II PED. W przypadku modeli kat. I PED zawór PRV należy montować podczas instalacji.</p>

- Zapewnić odpowiednią przestrzeń wokół agregatu dla umożliwienia obiegu powietrza i otwierania drzwiczek. Minimalne odległości od ścian przedstawiono w załączniku A.
- Unikać montażu agregatu w miejscach narażonych codziennie na długotrwałe działanie promieni słonecznych.
- Unikać instalowania agregatu w miejscach o dużym zapyleniu lub w warunkach sprzyjających korozji.
- Wybrać podłogę o poziomej nawierzchni (nachylenie poniżej 3°), odpowiednio mocne i stabilne, aby mogło podtrzymać całą masę agregatu oraz eliminować drgania i zakłócenia (należy zastosować gumowe pierścienie, podkładki lub wsporniki).
- Temperatura otoczenia agregatu nie może przekraczać 63°C w czasie, gdy agregat nie pracuje.
- Sprawdzić, czy napięcie zasilania odpowiada charakterystyce agregatu (patrz tabliczka znamionowa).
- Podczas instalowania agregatów na czynniki chłodnicze R454C, R455A i R1234yf stosować sprzęt przeznaczony specjalnie do czynnika chłodniczego A2L, który nigdy wcześniej nie był używany do innych czynników chłodniczych HFO, CFC ani HCFC.
- Stosować tylko czyste i osuszone rury miedziane/aluminiowe o odpowiedniej grubości przeznaczone

Instrukcje

do systemów chłodzenia. Połączenia wykonywać z lutu z dodatkiem srebra.

- Używać czystych i osuszonych podzespołów układu.
- Rurociąg ssawny podłączony do sprężarki musi być elastyczny w 3 wymiarach, aby tłumić drgania. Dodatkowo przewody rurowe należy wykonać w taki sposób, aby umożliwić powrót oleju sprężarki i wyeliminować ryzyko przemieszczenia płynu do sprężarki.
- W agregatach skraplających Optyma zawory serwisowe ssawny i cieczy są wyposażone w przyłącze Schradera umożliwiającym serwisowanie w terenie.
- Jednostki Optyma Plus o kodach 114X34-- oraz 114X44-- mają dwa wbudowane odbiorniki z zaworami. Przed uruchomieniem należy upewnić się, że oba zawory są otwarte.

3.1 – Zawór PRV

	<p>W przypadku Optyma™ Plus, agregatów skraplających należących do kat. II PED, zawór PRV jest fabrycznie ustawiony na 34,5 ±1 bar. (Patrz Dane techniczne dla kategorii PED w załączniku A).</p>
	<p>W przypadku Optyma™ Plus, agregatów skraplających należących do kategorii PED I, zawór PRV należy zamontować (patrz Dane techniczne dla kategorii PED w załączniku A).</p>
	<p>PRV pełni funkcję urządzenia ograniczającego uszkodzenia, a nie ogranicznika ciśnienia.</p>

- PRV do montażu na zbiorniku cieczy, złącze 3/8" NPT. (Użyć Coolselector2 w celu sprawdzenia kodu produktowego PRV). Do montażu PRV użyć Locatite 554.
- Moment dokręcania: 40Nm (nie przekraczać podanego momentu dokręcania)



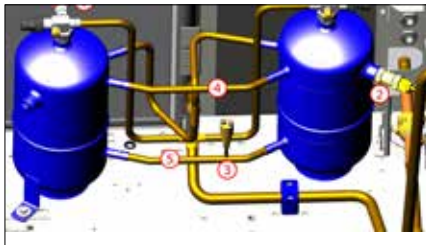
- Instalator musi zadbać o wydmuchanie wyciekającego czynnika chłodniczego z odpowiednich miejsc. Firma Danfoss zaleca opróżnienie agregatu skraplającego z czynnika chłodniczego.
- Zaleca się wymianę PRV po opróżnieniu agregatu oraz przy wymianie czynnika chłodniczego
- Nie zdejmować uszczelki i nie próbować resetować zaworu.
- Zawory muszą być montowane pionowo lub poziomo, przy czym należy upewnić się, że zawór PRV jest montowany powyżej poziomu cieczy w układzie.
- Upewnić się, że czynnik chłodniczy jest bezpiecznie uwalniany bezpośrednio do atmosfery.
- W przypadku zagrożenia opracowano dodatkowy zestaw zapasowy do zebrania uwolnionego czynnika chłodniczego. Przy instalacji zestawu należy zadbać o odpowiednie poprowadzenie rur zapewniające bezpieczne odprowadzenie czynnika chłodniczego. (Patrz rysunek poniżej)



- Zawór PRV nie powinien być montowany na zaworze serwisowym.
- Wymienić zawór PRV po wyczyszczeniu lub zablokowaniu systemu.
- Połączenia rozłączne i zawory nie powinny być ogólnie

dostępne. Wszystkie połączenia lutowane powinny być zgodne z normą EN 14276-2, a pozostałe trwałe połączenia powinny być zgodne z normą EN-16084.

- Jednostki Optyma Plus o kodach 114X34-- oraz 114X44-- mają zamontowany PRV na jednym z odbiorników. W innym odbiorniku zamontowana jest zaślepka.



1. Przetwornik ciśnienia HP
2. Zawór nadmiarowy ciśnieniowy
3. Presostat ACB
4. Port wyrównania gazu
5. Port wyrównywania cieczy

4 – Montaż

- Agregaty skraplające Optyma™ Plus mogą być instalowane/serwisowane wyłącznie przez wykwalifikowany personel zgodnie z obowiązującymi przepisami lokalnymi/międzynarodowymi i z zastosowaniem właściwych środków ochrony indywidualnej.
- Instalacja, do której ma zostać podłączony agregat skraplający, musi być zgodna z wymogami dyrektywy ciśnieniowej (PED) 2014/68/UE. W świetle tej dyrektywy opisywane agregaty skraplające nie stanowią samodzielnego urządzenia.
- Na początku instalacji należy pewnie przymocować agregat do stabilnej i sztywnej podstawy. Zob. załącznik A.
- Zaleca się montować agregat na gumowych pierścieniach lub podkładkach tłumiących drgania (niedostarczane z agregatem).
- Istnieje możliwość piętrowego układania jednostek jedna na drugiej.

Agregat	Maks. montażu spięzzonego
Obudowa 1 (Nr kat. 114X31-- lub 114X41--)	3
Obudowa 2 (Nr kat. 114X32-- lub 114X42--)	2
Obudowa 3 (Nr kat. 114X33-- lub 114X43--)	2
Obudowa 4 (Nr kat. 114X34-- lub 114X44--)	2

- W przypadku montażu spięzzonego szczytowy agregat musi być zamontowany do ściany, jak przedstawiono na rys. 2.
- Powoli usunąć azot przez zawór Schradera.
- Jak najszybciej podłączyć agregat do układu, aby uniknąć zanieczyszczenia oleju wilgocią z otoczenia.
- Nie dopuścić do przedostania się do układu materiału z cięcia rur. Nigdy nie wiercić otworów, jeśli nie ma możliwości usunięcia opiłków.
- Lutować z zachowaniem szczególnej ostrożności, stosując najnowocześniejsze techniki oraz „przedmuchiwać” azotem przewody rurowe.
- Podłączyć wymagane urządzenia zabezpieczające i sterujące. Gdy wykorzystywany jest zawór Schradera, usunąć atrapę kołpaka.
- Zaleca się zaizolować rurę ssawną dochodzącą od parownika do wlotu sprężarki za pomocą izolacji o grubości 19 mm.
- Upewnić się, że wewnątrz agregatu nie znajduje się czynnik chłodniczy, elementy wewnętrzne nie są uszkodzone, a rury nie są pęknięte.
- Upewnić się, że wszystkie podzespoły wewnątrz skrzynki elektrycznej są chronione przed przecięciem elektrycznym i w przypadku zatwierdzonych czynników chłodniczych "nie stanowią źródła zapłonu".
- Okablowanie zewnętrzne może być poprowadzone tylko przez dławiki kablowe IP65 i płytę przepustową.

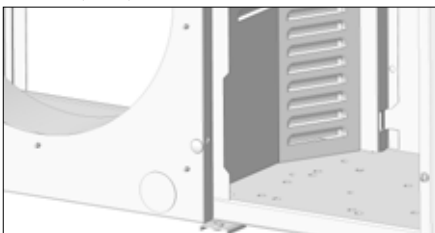
Wiercenie otworów na dodatkowe przewody lub przekłuwanie boków panelu elektrycznego jest surowo zabronione.

- W przypadku okablowania zewnętrznego należy wykonać wyłącznie wymagany otwór. Nie pozostawiać wolnych otworów bez kabli. W przypadku niepożądanego/nieplanowego przebiecia należy wymienić całą płytę dławnic.

118U5258 – część zamienna, dławik kablowy

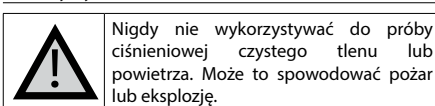


- Przegroda i płyta podstawy posiadają specjalne otwory do wentylacji – nie uszczelniać/nie zasłaniać/nie zamykać tych otworów w żaden sposób.



- W celu uniknięcia gromadzenia się czynnika chłodniczego w komorze sprężarki w wyniku wycieku wentylator zostaje uruchomiony przed uruchomieniem sprężarki z opóźnieniem czasowym włączenia wynoszącym 30 sekund dla sprężarek.
- Rury miedziane powinny być wykonane z materiału zgodnego z normą EN12735-1. Wszystkie złącza rur powinny być zgodne z normą EN14276-2
- W przypadku złożonego montażu, należy dobrać wspornik odpowiedni do rozmiaru i masy instalacji. Zalecane maksymalne odstępstwa między wspornikami rur podano w normach EN12735-1 i EN12735-2.
- Przed otwarciem zaworów należy wykonać wszystkie połączenia rur, aby umożliwić przepływ czynnika chłodniczego między częściami układu chłodniczego.

5 – Wykrywanie nieszczelności



Nigdy nie wykorzystywać do próby ciśnieniowej czystego tlenu lub powietrza. Może to spowodować pożar lub eksplozję.

- Nie używać barwnika do wykrywania wycieków.
- Przeprowadzić próbę szczelności na kompletnym układzie.
- Maksymalne ciśnienie próbne wynosi 25 bar.
- Po wykryciu nieszczelności należy ją usunąć i powtórzyć próbę.

6 – Odwadnianie próżniowe

- Nigdy nie używać sprężarki do usuwania gazu z układu.
- Dla szybszej i skutecznej oceny podłączyć pompę próżniową do stron niskiego i wysokiego ciśnienia.
- Pompa próżniowa musi posiadać certyfikat zezwalający na jej użytkowanie w środowisku chłodniczym A2L lub certyfikat przez ATEX
- Obciążać układ podciśnieniem bezwzględny 500 µm Hg (0,67 mbar).
- Nie używać megomierza ani nie zasilać sprężarki, gdy jest w niej próżnia, ponieważ mogłoby to spowodować wewnętrzne uszkodzenie.

7 – Połączenia elektryczne

- Sprawdzić, czy wszystkie połączenia elektryczne wewnątrz agregatu skraplającego są prawidłowo zamocowane, ponieważ mogły się poluzować podczas transportu.
- Odłączyć i odizolować źródło zasilania sieciowego.
- Upewnić się, że włączenie zasilania podczas instalacji jest niemożliwe.
- Wszystkie podzespoły elektryczne należy dobrać

Instrukcje

- zgodnie z normą EN60335-1, EN60204 lub normami lokalnymi oraz wymogami dotyczącymi agregatu.
- Szczegółowe informacje dotyczące tematu połączeń elektrycznych zamieszczono na schemacie okablowania.
 - Wszystkie podzespoły elektryczne muszą być dopuszczone do stosowania z czynnikami chłodniczymi A2L i "nie mogą stanowić źródła zapłonu".**
 - Upewnić się, że napięcie zasilania odpowiada charakterystyce agregatu i jest stabilne (Dopuszczalna tolerancja napięcia $\pm 10\%$ i dopuszczalna tolerancja częstotliwości $\pm 2,5$ Hz).
 - Przewody zasilające należy dobrać odpowiednio do parametrów napięcia, prądu i warunków otoczenia agregatu. Napięcie i natężenie podane są na tabliczce znamionowej agregatu.
 - Zabezpieczyć kabel zasilający i zapewnić prawidłowe uziemienie.
 - Dostosować źródło zasilania do lokalnych norm i przepisów.
 - Agregat jest wyposażony w sterownik elektroniczny. Szczegółowe informacje można znaleźć w instrukcji 118U3808.
 - Urządzenie jest wyposażone w wyłącznik główny z zabezpieczeniem przeciążeniowym i przeciwwarciowym. Zabezpieczenie przeciążeniowe zostało ustawione fabrycznie, ale zaleca się sprawdzić jego nastawę przed uruchomieniem agregatu. Wartość nastawy zabezpieczenia przeciążeniowego można odczytać ze schematu połączeń elektrycznych znajdującego się na przednich drzwiczkach agregatu.
 - Agregat jest wyposażony w presostaty wysokiego i niskiego ciśnienia, które w przypadku uaktywnienia bezpośrednio odcinają zasilanie od sprężarki. Parametry odcięcia zasilania przy wysokim i niskim ciśnieniu zostały ustawione w sterowniku, stosownie do sprężarki zastosowanej w agregacie.
 - Modele w wersji P02 (OP-xxxxxxxP02E) są wyposażone w elektroniczną płytkę drukowaną do obsługi elektronicznego zaworu rozprężnego wtrysku cieczy (moduł B Plus). Patrz rozdział „Podręcznik użytkownika modułu B Plus” w niniejszej instrukcji.
 - W przypadku sprężarek tłokowych częstotliwość uruchamiania agregatu skraplającego Optyma™ Plus musi być ograniczona.
 - Bez kondensatora rozruchowego: maksymalnie 5 uruchomień na godzinę.
 - Z kondensatorem rozruchowym: maksymalnie 10 uruchomień na godzinę.

8 – Bezpieczeństwo

	Zamknąć drzwiczki skrzynki elektrycznej przed podłączeniem zasilania.
	W czasie pracy urządzenia temperatura króćca tłocznego wzrośnie do 120°C.
	Zaleca się zainstalowanie zaworu PRV wewnątrz urządzenia i umożliwić wypuszczenie czynnika chłodniczego bezpośrednio do atmosfery.
	Kody jednostki Optyma plus 114X34-- i 114X44--, Presostat wysokiego ciśnienia zamontowany za odbiornikiem, Jeśli zawory Rotolock zostaną zamknięte podczas cyklu odpompowania, presostat wysokiego ciśnienia nie zadziała.

- Agregat jest wyposażony w zbiornik ze złączem 3/8" NPT z zatyczką. Instalator/użytkownik końcowy może wybrać różne opcje wymienione w normie EN378-2: 2016 art. 5 6.2.2.3.
- Urządzenie/instalacja, w której zamontowany/ zintegrowany jest agregat skraplający, musi być zgodna z dyrektywą PED.
 - Uważać na bardzo gorące i bardzo zimne elementy.
 - Uważać na elementy będące w ruchu. Podczas serwisowania należy odłączyć zasilanie elektryczne.
 - Zgodnie z rozporządzeniem UE w sprawie F-gazów, czynniki chłodnicze R1234yf, R454C i R455A uznawane są za czynniki z grupy A2L. Agregaty Optyma™ Plus są przeznaczone do pracy z czynnikami R1234yf, R454C i R455A. Przed montażem i po nim należy podjąć wszelkie niezbędne środki ostrożności

- i bezpieczeństwa.
- Wszystkie podzespoły powinny być zgodne z określonymi czynnikami chłodniczymi zgodnie z kodami agregatów skraplających Optyma™ Plus. Zob. załącznik A.
- Aby uniknąć powstania łuku elektrycznego między hermetycznymi stykami złącza, nie należy uruchamiać sprężarki ani wykonywać prób elektrycznych, np. pomiaru wytrzymałości elektrycznej, w czasie, gdy w instalacji chłodniczej wytworzona jest próżnia.
- Przed uruchomieniem sprężarki agregaty skraplające Optyma™ Plus przeprowadzają wstępną wentylację za pośrednictwem wentylatora skraplacza (30 s).
- Firma Danfoss zawsze zaleca stosowanie głównej skrzynki elektrycznej IP54. W przypadku uszkodzenia gumowej uszczelki (pokazanej poniżej) obowiązkiem użytkownika jest jej natychmiastowa wymiana.
- Sprężarka jest wyposażona w wewnętrzne zabezpieczenie przeciwprzeciążeniowe (OLP). Zabezpiecza ono sprężarkę przed ciśnieniem przekraczającym 32 bary.



- Zabrania się umieszczania zaworów i połączeń rozłącznych w miejscach ogólnodostępnych, chyba że są one zgodne z normą EN 16084.
- Aby zapobiec uszkodzeniu, rury czynnika chłodniczego należy zabezpieczyć lub zabudować.
- Rury montowane w terenie należy zabezpieczyć przed działaniem substancji żrących i słonych w celu uniknięcia korozji w rurach miedzianych/ aluminiowych.
- W przypadku wystąpienia pożaru ciśnienie rośnie z powodu wzrostu temperatury w zbiorniku. Dlatego bardzo istotna jest instalacja zaworu PRV.
- Dla kodów 114X34-- oraz 114X44--, wyłącznik krańcowy bramy jest przewidziany do celów bezpieczeństwa. Nie usuwaj ani nie zmieniaj połączenia.

9 – Napełnianie układu

- Nigdy nie uruchamiać sprężarki przy wytworzonej próżni. Pozostawić sprężarkę wyłączoną.
- Używać wyłącznie czynnika chłodniczego, do którego agregat jest przystosowany.
- Przed napełnieniem agregatu skraplającego Optyma™ Plus czynnikiem chłodniczym należy założyć odpowiednie środki ochrony indywidualnej.
- Jeśli wymagane jest dodanie oleju, należy sprawdzić jego typ na tabliczce znamionowej sprężarki. Przed ponownym napełnieniem sprawdzić wytyczne dotyczące zastosowań sprężarek pod kątem minimalnego granicznego poziomu oleju.
- W przypadku czynników chłodniczych z poślizgiem temperaturowym, takich jak R454C, R455A, R448A, R449A i R452A, do napełniania należy stosować zawór cieczy.
- Napełnić skraplacz lub zbiornik ciekłym czynnikiem chłodniczym. Powoli napełniać układ do ciśnienia 4 – 5 bar w przypadku czynników R404A/R507, R407A, R407F, R448A/R449A, R452A, R454C i R455A oraz około 2 bar w przypadku czynników R134a, R513A i R1234yf.
- Ostateczne napełnienie wykonuje się do momentu osiągnięcia przez instalację stabilnych znamionowych warunków roboczych.
- Nigdy nie pozostawiać butli do napełniania podłączonej do obwodu.
- Nie napełniać układu czynnikiem chłodniczym przez przewód ssawny.
- Nie stosować dodatków do oleju i/lub czynnika chłodniczego.

- Podczas uzupełniania czynnika chłodniczego A2L należy upewnić się, że miejsce do napełniania jest dobrze wentylowane.
- Zbiornik cieczy jest wyposażony w zawór Rotolock przeznaczony do celów serwisowych. W ustawieniu fabrycznym zawór jest w pozycji całkowicie OTWARTEJ. Podczas konserwacji i odpompowywania należy obracać zawór zgodnie z ruchem wskazówek zegara, aż znajdzie się w pozycji całkowicie ZAMKNIĘTEJ.
- Zawory ssawne, zawory na linii ciecowej i zawory Rotolock na zbiorniku posiadają przyłącze Schradera do obsługi serwisowej, takiej jak napełnianie gazem i pomiar ciśnienia.

10 – Konfiguracja sterownika elektronicznego

	W przypadku modernizacji SPFR (przełącznika monitorowania zasilania) zmienić parametr sterownika o37 na 1. W przypadku dodania opcji SPFR w celu ochrony sprężarki należy zmienić ustawienie o37 z 0 na 1.
	W przypadku modeli w wersji P02 (OP-xxxxxxxP02E) wartości o30 w sterowniku wynoszą tylko 19= R404A / 40=R448A / 41=R449A / 51= R454C / 52 = R455A

Grupa płynu	Czynnik chłodniczy	Parametr (o61*)
A2L	R455A oraz R454C	LLZ013 , LLZ015, LLZ018, LLZ024 & LLZ034 = 19 MLZ058 & MLZ076 = 18
A1	R404A/R507, R452A, R448A oraz R449A	LLZ013 = 43 LLZ015 = 44 LLZ018 = 45 LLZ024 = 39 LLZ034 = 40 MLZ058 = 37 MLZ076 = 38

* Patrz instalacja sterownika Optyma™ plus controller - Instrukcja Obsługi (BC08728642552802)

- Agregat jest wyposażony w sterownik elektroniczny, w którym fabrycznie zaprogramowano parametry wymagane przez dany agregat. Szczegółowe informacje można znaleźć w instrukcji 118U3808.
- Domyślnie wyświetlacz sterownika elektronicznego pokazuje wartość temperatury dla ciśnienia ssania w °C. Aby wyświetlić wartość temperatury dla ciśnienia skraplania, wcisnąć dolny przycisk (załącznik A; rysunek 3).
- Usunąć zacisk D11 sterownika (wejście termostatu komory), aby uniknąć niepożądanego uruchomienia sprężarki. Podłączyć go z powrotem po wprowadzeniu ustawień.

Sterownik elektroniczny jest ustawiony fabrycznie na czynnik R404A, R449A, R452A lub R134a w zależności od modelu zamontowanej sprężarki oraz zastosowania (zob. instrukcja instalacji sterownika Optyma™ 118U3808). W przypadku użycia innego czynnika chłodniczego należy koniecznie zmienić ustawienie czynnika chłodniczego.

- Nacisnąć i przytrzymać przez kilka sekund górny przycisk. Pojawi się kolumna z kodami parametrów.
- Parametr r12 musi być ustawiony na 0 (główny wyłącznik programowy=wyl).
- Nacisnąć górny lub dolny przycisk, aby znaleźć kod parametru o30.
- Nacisnąć i przytrzymać środkowy przycisk, aż pojawi się wartość tego parametru.
- Nacisnąć górny lub dolny przycisk, aby wybrać nową wartość: 3 = R134a, 17 = R507, 19 = R404A, 20 = R407C, 21 = R407A, 36 = R513A, 37 = R407F, 40 = R448A, 41 = R449A, 42 = R452A, 39 = R1234yf, 51 = R454C, 52 = R455A.
- Nacisnąć środkowy przycisk, aby zatwierdzić wybór.
- Nacisnąć górny lub dolny przycisk, aby znaleźć kod parametru r84 (r84 = Maksymalna dopuszczalna

Instrukcje

temperatura tłoczenia).

- Naciśnąć środkowy przycisk, domyślna maksymalna temperatura tłoczenia wynosi 125°C.
- Jeśli klient chce zwiększyć nastawę zaworu, należy nacisnąć górny przycisk, aby wybrać nową wartość: 130°C. Naciśnąć środkowy przycisk, aby zatwierdzić wybór.
- Maksymalna dopuszczalna temperatura tłoczenia (r84) nie powinna przekraczać 130°C.

Agregat Optyma Plus 114X33YY oraz 114X43YY jest wyposażony w silnik wentylatora EC. W tym celu zmodyfikowano parametr F17 sterownika Optyma Plus na 2, aby aktywować wyjście regulacji prędkości obrotowej wentylatora 0-10V. Jako ustawienie fabryczne parametr F19 maks. prędkości wentylatora jest ustawiony na 80%, aby ograniczyć prędkość wentylatora i emisję hałasu w obszarach zamieszkałych. Instalatorzy mogą zwiększyć tę maks. prędkość do 100%, jeśli emitowany hałas nie będzie przeszkadzać. Wejście cyfrowe DI2 ze sterownika będzie podłączone do modułu B+ tylko w przypadku modeli w wersji P02. Wskazuje alarm, który zatrzymuje sprężarkę w przypadku awarii modułu B+. Parametr sterownika o37 musi być ustawiony na 1. Zmiana prędkości obrotowej silnika wentylatora EC będzie odbywać się poprzez sterownik Optyma Plus dzięki pomiarowi różnicy pomiędzy temperaturą otoczenia a temperaturą skraplania (punkt rosy). Im mniejsza różnica, tym większa prędkość. Domyślnym ustawieniem fabrycznym będzie 8 K. Zakres regulacji wynosi 2-20 K. Aby dokonać regulacji, należy nacisnąć środkowy przycisk i zmienić wartość za pomocą górnego lub dolnego przycisku z poziomu ekranu głównego sterownika Optyma (wyświetlającego temperaturę nasycenia na ssaniu).

11 – Sprawdzanie przed uruchomieniem

	Należy korzystać z urządzeń ochronnych, tj. presostatów oraz mechanicznych zaworów nadmiarowych (nieodłączonych do produktu), zgodnie z obowiązującymi ogólnymi i lokalnymi przepisami i normami bezpieczeństwa. Sprawdź, czy urządzenia te są sprawne i odpowiednio ustawione.
	Sprawdź, czy ustawienia presostatów wysokiego ciśnienia i zaworów nadmiarowych nie przekraczają maksymalnego ciśnienia roboczego któregośkolwiek z podzespołów układu.

- Przed uruchomieniem agregatu skraplającego należy upewnić się, że zawory odbieralnika oraz zawór kulowy są całkowicie otwarte.
- Sprawdź, czy wszystkie połączenia elektryczne wewnątrz agregatu skraplającego są prawidłowo zamocowane, ponieważ mogły się poluzować podczas transportu.
- Jeśli wymagane jest zastosowanie grzałki karтеру, w przypadku grzałek karтеру typu paskowego agregat musi być zasilany przez co najmniej 12 godzin przed pierwszym uruchomieniem i rozruchem po długiej bezczynności.
- Grzałka karтеру musi być stabilnie zamocowana do osłony sprężarki. Upewnij się, że grzałka nie poluzowała się ani nie znajduje się pod napięciem w powietrzu.
- Drzwiczki panelu elektrycznego muszą być szczelnie zamknięte za pomocą pokrętła.
- Wszystkie przewody łączące (cieczowe i ssawne) agregatu skraplającego Optyma™ Plus muszą mieć odpowiednie wymiary zależnie od lokalizacji parownika.
- Spadek ciśnienia w przewodach ssawnych i cieczowych należy oceniać zgodnie z lokalizacją i odległością parownika (zob. Coolselector2).
- Ciśnienie ssania/tłoczenia agregatu skraplającego Optyma™ Plus musi mieścić się w zakresie roboczym. Nigdy nie uruchamiać agregatu z ciśnieniem niższym od ciśnienia bezwzględnego (próżni).
- Urządzenie jest wyposażone w wyłącznik główny z zabezpieczeniem przeciążeniowym i przeciwzwarciowym. Zabezpieczenie przeciążeniowe

- zostało ustawione fabrycznie, ale zaleca się sprawdzić jego nastawę przed uruchomieniem agregatu. Wartość nastawy zabezpieczenia przeciążeniowego można odczytać ze schematu połączeń elektrycznych znajdującego się na przednich drzwiczkach agregatu.
- Sprawdź, czy czujnik temperatury tłoczenia jest stabilnie zamocowany i w odpowiedni sposób styka się z rurą tłoczną.
- Zapoznać się z wytycznymi dotyczącymi montażu dostarczonymi wraz z agregatem skraplającym.
- Używać wyłącznie czynników chłodniczych zgodnych z informacjami podanymi na tabliczce znamionowej.
- Sprawdź poziom oleju w sprężarce.
- Sprawdź, czy wszystkie zawory serwisowe są otwarte.
- Upewnij się, że przetwornik wysokiego ciśnienia jest otwarty w systemie.
- Sprawdź, czy wszystkie połączenia mechaniczne są szczelne.
- Sprawdź, czy wszystkie ustawienia przeciążenia elektrycznego są prawidłowe.

12 – Uruchomienie

- Nigdy nie uruchamiać agregatu przy braku czynnika chłodniczego.
- Wszystkie zawory serwisowe muszą być otwarte.
- Zawór Rotalock na odbiorniku powinien być całkowicie otwarty. Obrócić w lewo, aby całkowicie otworzyć.
- Sprawdź zgodność agregatu i źródła zasilania.
- Sprawdź, czy grzałka karтеру jest włączona.
- Sprawdź, czy wentylator może się swobodnie obracać.
- Sprawdź, czy zdjęto folię ochronną z tylnej części skraplacza.
- Wyrównać ciśnienia po stronach wysokiego/niskiego ciśnienia.
- Włączyć zasilanie agregatu. Wentylator skraplacza musi uruchomić się bezwzględnie, natomiast sprężarka – po 30 sekundach (wentylacja wstępna).
- Ewentualne odwrotne obroty sprężarki 3-fazowej można wykryć na podstawie następujących objawów: praca sprężarki nie powoduje wzrostu ciśnienia, sprężarka jest wyjątkowo głośna i pobiera bardzo mało prądu. W takiej sytuacji należy niezwłocznie wyłączyć urządzenie i prawidłowo podłączyć przewody faz do zacisków na urządzeniu.
- Jeżeli kierunek obrotów jest prawidłowy, wskazanie niskiego ciśnienia na sterowniku (lub manometrze niskiego ciśnienia) powinno pokazywać spadek ciśnienia, a wskazanie wysokiego ciśnienia na sterowniku (lub manometrze wysokiego ciśnienia) powinno pokazywać wzrost ciśnienia. (tylko podczas uruchamiania)

13 – Sprawdzenie działania agregatu

- Sprawdź kierunek obrotów wentylatora. Powietrze musi przepływać od skraplacza w kierunku wentylatora.
- Sprawdź pobór prądu i napięcie.
- Sprawdź wartość przegrzania po stronie ssawnej, aby zmniejszyć ryzyko zassania cieczy.
- Jeśli agregat jest wyposażony we wzmiernik sprężarki, sprawdź poziom oleju podczas rozruchu i pracy, aby upewnić się, że jest on widoczny.
- Należy stosować się do limitów roboczych.
- Agregaty skraplające Optyma™ Plus zostały zaprojektowane do pracy w temperaturze do 43 stopni Celsjusza. Podczas pracy normalnej lub szczytowej w przypadku czynników R404A/R507, R448A, R449A, R452A, R454C, R455A temperatura punktu rosy w stanie nasycenia nie przekracza 63 stopni Celsjusza. W przypadku czynników R134a, R513A i R1234yf temperatura punktu rosy w stanie nasycenia nie przekracza 65 stopni Celsjusza.
- Sprawdź wszystkie rury pod kątem niepożądanych drgań. Ruchy przekraczające 0,15 mm wymagają zastosowania środków korekcyjnych, takich jak wsporniki rur.
- Jeśli zachodzi taka potrzeba, istnieje możliwość dodania czynnika chłodniczego w fazie ciekłej, po stronie niskiego ciśnienia, jak najdalej od sprężarki. Podczas tej procedury sprężarka powinna pracować.
- Nie przepelniać układu chłodniczego czynnikiem.

- Przestrzegać lokalnych przepisów dotyczących zbierania czynnika chłodniczego z agregatu.
- Nigdy nie odprowadzać czynnika chłodniczego do atmosfery.
- Przed opuszczeniem miejsca instalacji przeprowadzić generalną inspekcję instalacji, zwracając uwagę na zanieczyszczenie, hałas i potencjalne wycieki.
- Zanotować typ i ilość zastosowanego czynnika chłodniczego, jak też warunki pracy na użytek przyszłych inspekcji.
- Sprawdź ciśnienie i temperaturę ssania i tłoczenia.
- Sprawdź, czy ilość czynnika chłodniczego i prądy robocze silników zapewniają prawidłową pracę agregatu.
- Sprawdź wartość przegrzania po stronie ssawnej sprężarki, aby zmniejszyć ryzyko zassania cieczy.
- Pozostawić system uruchomiony na 3 – 4 godziny. Sprawdzić poziom oleju w sprężarce i uzupełnić olejem odpowiedniego typu, wskazanym na tabliczce znamionowej agregatu i sprężarki.
- Po 24 godzinach pracy ponownie sprawdzić poziom oleju w sprężarce.
- Przeprowadzić końcową próbę szczelności i upewnić się, że wszystkie pokrywy są zamontowane, a wszystkie śruby – dokręcone.
- Wypełnić etykiety czynnika chłodniczego zgodnie z lokalnymi normami.
- Sprężarki spiralne mogą wykonywać maksymalnie 12 cykli start/stop na godzinę.
- Sprężarki tłokowe mogą wykonywać maksymalnie 10 cykli start/stop na godzinę.
- Upewnij się, że konserwacja jest przeprowadzana zgodnie z instrukcją montażu.

14 – Praca w trybie awaryjnym bez sterownika

W przypadku usterki sterownika agregat skraplający nadal może pracować, jeśli standardowe okablowanie sterownika zmodyfikuje się w sposób opisany poniżej w celu uzyskania tymczasowego okablowania.

	Ta modyfikacja może być wykonywana wyłącznie przez elektryków z uprawnieniami. Należy przestrzegać przepisów krajowych.
	Odcłączyć agregat skraplający od zasilania elektrycznego (użyć wyłącznika głównego)
	Sterownik należy wymienić jak najszybciej, aby uniknąć skrócenia trwałości eksploatacyjnej.

- Styk termostatu pokojowego 24 - 25 (DI1) musi umożliwiać przełączenie napięcia na 250 V AC.
- Odcłączyć przewód 22 (wejście zabezpieczenia DI3) i przewód 24 (termostat pokojowy DI1) i połączyć je za pomocą izolowanego mostka 250 V AC, 10 mm².
- Odcłączyć przewód 25 (termostat pokojowy DI1) i przewód 11 (zasilanie sprężarki) i połączyć je za pomocą zaizolowanego mostka 250 V AC, 10 mm².
- Odcłączyć przewód 6 i połączyć go z mostkiem przewodów 11 i 25. Presostat wentylatora lub regulator prędkości obrotowej wentylatora można podłączyć szeregowo do przewodu 6.
- Odcłączyć przewód 14 (grzałka karтеру) i podłączyć go do zacisku 22 stycznika sprężarki.
- Odcłączyć przewód 12 (zasilanie grzałki karтеру), przedłużyć go za pomocą mostka 250 V AC, 10 mm² oraz brązowego przewodu 1,0 mm², a następnie podłączyć go do zacisku 21 stycznika sprężarki.
- Odcłączyć dużą listwę zaciskową od sterownika (zaciski od 10 do 19).
- Podłączyć agregat skraplający do zasilania (włączyć wyłącznik główny).
- W przypadku urządzenia 114X33YY oraz 114X43YY z silnikiem wentylatora EC otworzyć skrzynkę zaciskową wentylatora i podłączyć wejście prędkości wentylatora 0-10V do zacisku zasilania 10V.

15 – Konserwacja

Instrukcje

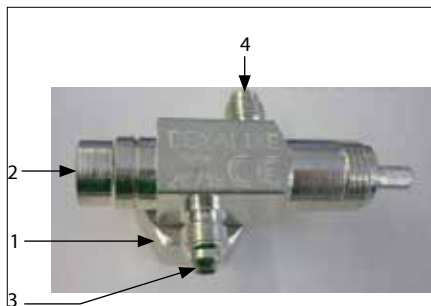
	<p>Zawsze wylądzać zasilanie agregatu skraplającego za pomocą wyłącznika głównego przed otwarciem panelu wentylatora.</p>
	<p>Cisnienie wewnętrzne i temperatura powierzchni stanowią zagrożenie i mogą spowodować trwałe uszkodzenia na zdrowiu. Konserwatorzy i instalatorzy muszą posiadać odpowiednie środki ochrony indywidualnej, umiejętności i narzędzia do wykonywania czynności konserwacyjnych. Temperatura rur może przekroczyć 100°C i spowodować poważne oparzenia.</p>
	<p>Należy przeprowadzać okresowe kontrole serwisowe w celu zapewnienia niezawodności układu i zgodności z lokalnymi przepisami.</p>

Aby zapobiec problemom związanym z układem, zaleca się poniższą konserwację okresową:

- Sprawdzić poprawność działania i nastaw urządzeń zabezpieczających.
- Upewnić się, że układ jest szczelny.
- Sprawdzić pobór prądu przez sprężarkę.
- Potwierdzić, że system pracuje w sposób zgodny z zapisami wykonanymi podczas poprzedniej konserwacji oraz warunkami otoczenia.
- Sprawdzić, czy wszystkie połączenia elektryczne są nadal odpowiednio zamocowane.
- Utrzymywać agregat w czystości oraz sprawdzać, czy na podzespołach, rurkach i połączeniach elektrycznych agregatu nie ma rdzy ani nie dochodzi do ich utleniania.
- Czyścić powierzchnię mikrokanalowego wymiennika ciepła, aby uniknąć jego zatykania. Agregat skraplający musi być co najmniej raz w roku sprawdzany pod kątem drożności przepływu, a w razie konieczności musi zostać oczyszczony. Dostęp do wnętrza agregatu skraplającego uzyskuje się poprzez drzwiczki wentylatora. Brud odkłada się zazwyczaj na zewnątrz węzłownicy mikrokanalowej, a nie wewnątrz, dzięki czemu łatwiej je czyścić niż węzłownice lamelowe.
- Wylądzać zasilanie agregatu skraplającego za pomocą wyłącznika głównego przed otwarciem panelu wentylatora.
- Wszystkie urządzenia elektryczne, środki ochrony indywidualnej i narzędzia muszą być zgodne z czynnikami chłodniczymi A2L, takimi jak R454C, R455A i R1234yf.
- Usunąć zabrudzenia powierzchniowe, liście itp. za pomocą odkurzacza wyposażonego w końcówkę z włosiem lub inne miękkie zakończenie. Alternatywnie można przedmuchać węzłownicę sprężonym powietrzem od środka i oczyścić za pomocą miękkiego pędzla. Nie używać szczotki drucianej. Nie wolno uderzać ani skrobać węzłownicę końcówką odkurzacza lub dyszą powietrzną.
- Sprawdzić, czy otwory do wentylacji wstępnej w przegrodzie i płycie podstawy nie są zasłonięte.
- Przed zamknięciem drzwiczek wentylatora obrócić jego łopatkę do bezpiecznego położenia, aby drzwiczki nie uderzyły w wentylator.

Jeśli otwarto układ czynnika chłodniczego, należy go przepłukać suchym powietrzem lub azotem w celu usunięcia wilgoci, a następnie zamontować nowy

filtr-osuszacz. Jeśli wymagane jest usunięcie z układu czynnika chłodniczego, należy to wykonać w taki sposób, aby nie dostał się do środowiska naturalnego.



1. Wlot zaworu
2. Wylot zaworu
3. Presostat wysokiego ciśnienia (Zawór Schradera)
4. Przyłącze serwisowe

- Zawór całkowicie zamknięty (wrzeczono zaworu obrócone całkowicie w prawo)
- przyłącza 1, 3 i 4 połączone
- przyłącze 2 nie ma połączenia z innymi przyłączami
- Zawór otwarty o kilka obrotów (wrzeczono zaworu znajduje się pomiędzy położeniem otwartym a zamkniętym)
- przyłącza 1, 2, 3 i 4 połączone
- Zawór całkowicie otwarty (wrzeczono zaworu obrócone całkowicie w lewo)
- przyłącza 1, 2 i 3 połączone
- przyłącze 4 nie ma połączenia z innymi przyłączami

Wrzeczono całkowicie zamknięte



Wrzeczono całkowicie otwarte



16 – Deklaracja włączenia

• Dyrektywa ciśnieniowa 2014/68/UE

EN 378-2:2016 – Instalacje chłodnicze i pompy ciepła – Wymagania dotyczące bezpieczeństwa i ochrony środowiska – Część 2: Projektowanie, konstrukcja, badanie, znakowanie i dokumentowanie

Dyrektywa niskonapięciowa 2014/35/UE EN 60335-1:2012 + A11:2014 – Elektryczny sprzęt do użytku domowego i podobnego – Bezpieczeństwo użytkownika – Część

1: Wymagania ogólne - dla wszystkich wymienionych poniżej agregatów skraplających.

DYREKTYWA dotycząca ekoprojektu 2009/125/WE, ustanawiająca ogólne zasady ustalania wymogów dotyczących ekoprojektu dla produktów związanych z energią.

ROZPORZĄDZENIE (UE) 2015/1095 w sprawie wykonywania Dyrektywy 2009/125/WE w odniesieniu do wymogów dotyczących ekoprojektu dla szaf chłodniczych lub mroźniczych, schładzarek lub zamrażarek szokowych, urządzeń skraplających i agregatów do odziewiania cieczy.

- Pomiarów agregatów skraplających należy wykonywać zgodnie z normą „EN 13771-2:2017” – Sprężarki i agregaty skraplające dla instalacji ziębniczych – Badanie charakterystyk i metody badań – Część 2: Agregaty skraplające. Deklaracja ekoprojektu – zob. Danfoss Coolselector®2, nr kat. (114X....).

17 – Gwarancja

W przypadku zgłaszania reklamacji należy bezwzględnie podać oznaczenie typu i numer seryjny agregatu.

Gwarancja produktu może być uznana za nieważną następujących w przypadkach:

- Brak tabliczki znamionowej.
- Modyfikacje zewnętrzne, w szczególności wiercenie, spawanie, wylamane stopy i ślady uderzeń.
- Sprężarka została otwarta lub zwrócona w stanie nieszczelnym.
- Wewnątrz sprężarki stwierdzona zostanie obecność rdzy, wody lub barwnika do wykrywania wycieków.
- Użycie czynnika chłodniczego lub środka smarującego niezatwierdzonego przez firmę Danfoss.
- Wszelkie odstępstwa od zaleceń dotyczących instalacji, zastosowania lub konserwacji.
- Sprężarka została użyta w środkach transportu.
- Użycie w środowisku zagrożonym wybuchem.
- Brak numeru modelu lub numeru seryjnego przekazanych z reklamacją gwarancyjną.

18 – Utylizacja

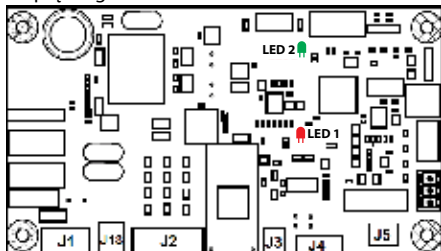


Firma Danfoss zaleca, aby przeprowadzenie recyklingu agregatu skraplającego i oleju zostało zlecone specjalistycznej firmie i przeprowadzone na jej terenie.

Instrukcje

19 - Moduł B Plus - Podręcznik użytkownika

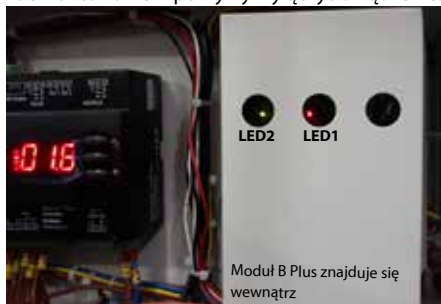
Moduł B Plus to elektroniczna płytką drukowaną używana w modelach w wersji P02 do automatycznego wtrysku cieczy do sprężarek spiralnych za pomocą elektronicznego zaworu rozprężnego.



Moduł B Plus

Moduł B Plus posiada pokrywę zabezpieczającą pokazaną na rysunku 6.

⚠ Nie demontować pokrywy zabezpieczającej, jeśli nie jest to wymagane. Przed zdemontowaniem pokrywy wyłączyć urządzenie.



Rysunek 6

Zastosowanie

Moduł B Plus kontroluje wtrysk cieczy oraz monitoruje następujące parametry: temperaturę gazu wylotowego, kolejność faz i błąd fazy.

Opis działania

• Wtrysk cieczy

- Moduł B Plus może kontrolować temperaturę gazu wylotowego. Domyślna nastawa to 125°C; jest to wartość wymagana do bezpiecznej pracy agregatu skraplającego.

⚠ Nie zmieniać tej nastawy.

- W przypadku zatrzymania sprężarki zawór wtrysku cieczy zostanie zamknięty w ciągu 6 sekund.

• Zabezpieczenie przed nadmiernym wzrostem temperatury gazu wylotowego

- Czujnik temperatury gazu wylotowego w module B Plus może wykryć temperaturę gazu wylotowego w zakresie od -50 do 180°C z dokładnością pomiaru $\pm 0,5^\circ\text{C}$. Czujnik jest montowany w odległości do 150 mm od króćca tłocznego sprężarki.

- Jeśli temperatura gazu wylotowego jest większa od punktu aktywacji zabezpieczenia przed przegrzaniem (wartość zadana + 10 K) przez 1 sekundę, nastąpi otwarcie przekaźnika alarmowego (J5). Ten status jest określony w tabeli 1 jako przegrzanie statyczne DGT. Jeśli temperatura gazu wylotowego jest niższa od punktu resetowania (wartość zadana -15°C) przez 5 minut, nastąpi zamknięcie przekaźnika alarmowego (J5). To 5-minutowe opóźnienie jest określone w tabeli jako opóźnienie resetu DGT.

- Jeśli temperatura gazu wylotowego przekroczy dopuszczalną wartość więcej niż 5 razy w ciągu 1 godziny, przekaźnik alarmowy (J5) zablokuje się w położeniu otwartym i może zostać zresetowany tylko poprzez ręczne zresetowanie modułu B Plus (wyłączenie i ponowne włączenie urządzenia po pewnym czasie). Ten status jest określony jako blokada przegrzania DGT, patrz oznaczenia błędów w tabeli 1.

- W przypadku nieprawidłowego działania czujnika temperatury gazu wylotowego, tj. czujnik otwarty, zwarcie czujnika lub czujnik poza zakresem, przekaźnik alarmowy (J5) zablokuje się w położeniu otwartym; patrz oznaczenia błędów w tabeli 1.

• Ochrona fazy

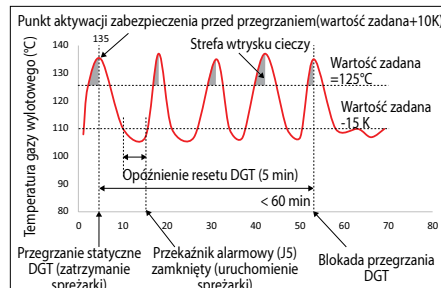
- Wykrywanie sekwencji faz i brakującej fazy będzie wykonywane tylko przy każdym włączeniu sprężarki. W przypadku wykrycia błędów fazy, braku fazy lub odwrócenia faz w ciągu 4,5 s do 5 s, nastąpi otwarcie i zablokowanie przekaźnika alarmowego (J5) w położeniu otwartym. Statusy blokady lub otwarcia mogą zostać zresetowane poprzez ręczne wyłączenie i ponowne włączenie zasilania modułu B Plus, patrz oznaczenia błędów w tabeli 1.

• Interfejs użytkownika

- Po włączeniu zasilania modułu B Plus kontrolka LED 1 będzie świeciła stale na czerwono. Po wyłączeniu zasilania modułu, kontrolka LED 1 zgaśnie. Po włączeniu modułu B Plus, w przypadku braku błędów, kontrolka LED 2 będzie świeciła stale na zielono. Umiejscowienie

kontrolki LED 1 i LED 2 na module B Plus pokazano na rysunku 6.

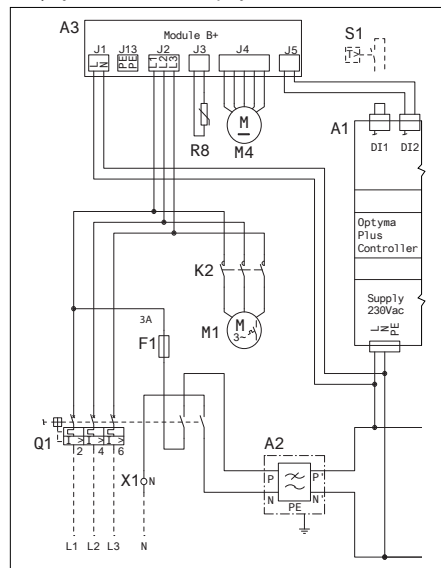
- Po włączeniu modułu B Plus, w przypadku wykrycia błędu, kontrolka LED 2 będzie migać na przemian na żółto i na czerwono w odstępach jednonosekundowych. Szczegóły dotyczące migania kontrolki podano w tabeli 1.



Rysunek 7

• Komunikacja modułu B Plus ze sterownikiem Optyma™ Plus.

- Gdy przekaźnik alarmowy (J5) jest otwarty, sygnał jest przesyłany do wejścia cyfrowego 2 (DI2) sterownika Optyma, co powoduje włączenie alarmu bezpieczeństwa (A97) w sterowniku Optyma™ Plus i natychmiastowe wyłączenie zasilania sprężarki.



Schemat połączeń elektrycznych modułu B Plus

Kategoria	Częstotliwość migania na żółto	Częstotliwość migania na czerwono	Błąd	Opis	Działanie
Temperatura gazu wylotowego	1	1	Przegrzanie statyczne DGT/opóźnienie resetu DGT	Temperatura gazu wylotowego jest większa od punktu aktywacji wyłącznika sprężarki	Sprawdzić, czy na sterowniku Optyma nie pojawił się alarm bezpieczeństwa (A97). Jeśli tak, poczekać na automatyczne rozwiązanie problemu. Jeśli błąd będzie często się pojawiać, sprawdzić, czy jednostka działa zgodnie z zalecanymi parametrami bezpiecznej pracy.
		2	Blokada przegrzania DGT	Przegrzanie statyczne DGT wystąpiło 5-krotnie w ciągu 1 godziny	Zresetować moduł B Plus ręcznie (wyłączyć urządzenie i włączyć ponownie po pewnym czasie).
		3	DGT poza zakresem	DGT jest poza normalnym zakresem (-50 – 180°C)	Sprawdzić, czy czujnik temperatury gazu wylotowego jest prawidłowo zamocowany w przewodzie tłocznym. Sprawdzić temperaturę gazu wylotowego w sterowniku Optyma™ Plus, parametr U27 (wartość powinna wynosić od -50 do 180°C).
		4	Czujnik DGT otwarty/zwarcie czujnika DGT	Otwarcie/zwarcie czujnika temperatury gazu wylotowego	Sprawdzić czujnik temperatury na tłoczniu oraz jego podłączenie.
Trzy fazy	2	1	Brak fazy	Utrata sygnału jednej fazy	Sprawdzić zasilanie 3-fazowe (J2) modułu B Plus, czy nie brakuje jednej z 3 faz. Jeśli brakuje, prawidłowo podłączyć zasilanie i zresetować ręcznie moduł B Plus (wyłączyć urządzenie i włączyć je ponownie po pewnym czasie).
		2	Odwrócenie faz	Nieprawidłowe podłączenie faz	Sprawdzić zasilanie 3-fazowe (J2) modułu B Plus pod kątem nieprawidłowej kolejności 3 faz. Jeśli kolejność jest nieprawidłowa, prawidłowo podłączyć zasilanie i zresetować ręcznie moduł B Plus (wyłączyć urządzenie i włączyć je ponownie po pewnym czasie).

Tabela 1: Kod błędu – miganie kontrolki (miganie kontrolki LED 2 na żółto i czerwono)

Instructions

Annex - A

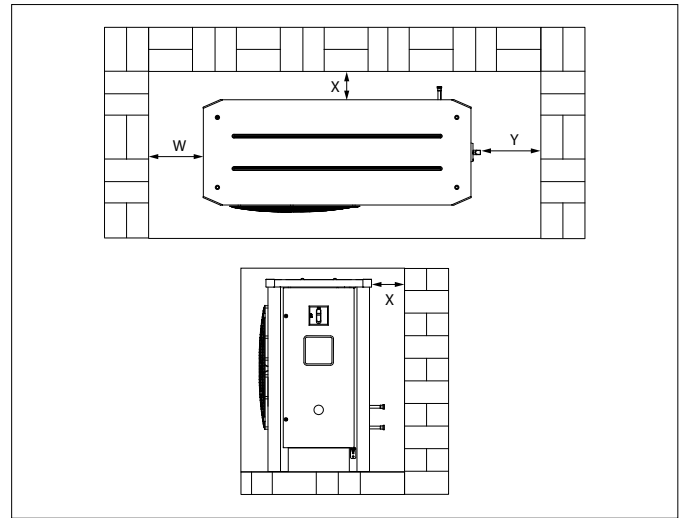
Technical data (English)

Name plate

A	OP-MPXM068MLP00E			
B	114X4311			
C	Serial No.	064119CG1517	MADE IN INDIA	
D	EAN No.	XXXXXXXXXXXXXX		
E	Fluid Group	1 & 2		
F	PED Category	II		
G	Application	MBP IP54		
H	PS _{HP}	-1/32 bar	Voltage	400V~3N~50Hz
I	PS _{LP}	-1/21.5 bar	LRA	60 A
J	PT	32 bar	MCC	14 A
K	TS	-20/ 63 °C	RLA	8.3 A
	HP Switch Pressure	31 bar		
	Year of Mfg.	2021		
L	PRV Setting	34.5 bar		

Address: Danfoss Ltd., 23 Wycombe End, HPP 1NB, GB

 Danfoss A/S, 6430 Nordborg, Denmark

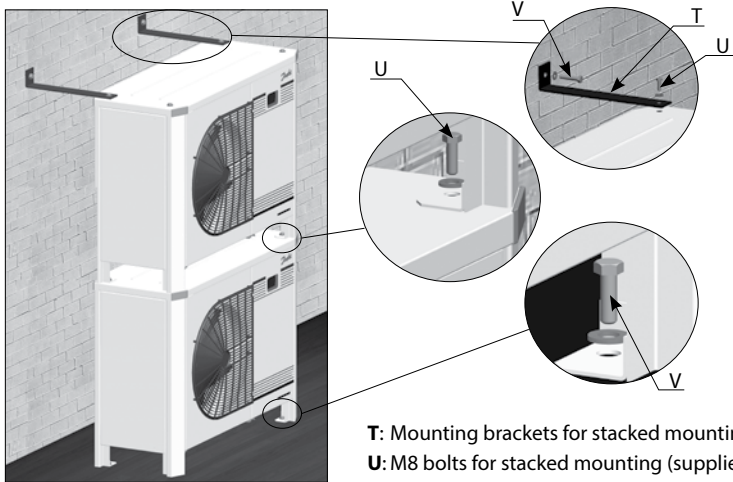


Picture 1 : Minimum mounting distances

Unit	X [mm]	Y [mm]	W [mm]
Housing 1 (Code no. 114X31-- or 114X41--)	250	550	460
Housing 2 (Code no. 114X32-- or 114X42--)	250	650	530
Housing 3 (Code no. 114x33-- or 114x43--)	250	760	580
Housing 4 (Code no. 114X34-- or 114X44--)	250	700	700

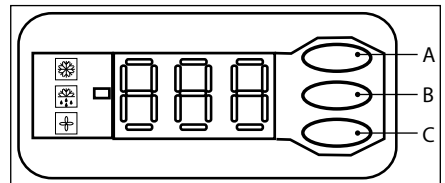
*For exact values please refer name plate in unit

- A:** Model
- B:** Code number
- C:** Serial Number and bar code
- D:** EAN number
- E:** Refrigerant
- F:** PED Category
- G:** Application, Ingress Protection
- H:** Maximum Allowable Pressure (HP side)
- I:** Maximum Allowable Pressure (LP side)
- J:** Test Pressure
- K:** Maximum allowable Design Temperature
- L:** Pressure Relief Valve set pressure



Picture 2 : Stacked mounting

- T:** Mounting brackets for stacked mounting (not supplied)
- U:** M8 bolts for stacked mounting (supplied)
- V:** Mounting bolts (not supplied)



Picture 3 : Electronic controller display

- A:** Up/Menu button
- B:** Select / Confirm
- C:** Down button

- Compressor running
- Crankcase heater on
- Fan running
- Temperature value for suction pressure. Push lower button to switch to temperature value for condensing pressure



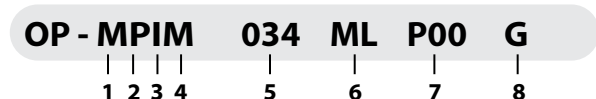
Picture 4 : Normal wiring



Picture 5 : Temporary wiring

Instructions

Designation system for the Optyma™ Plus range



1 Application M = MBP L = LBP
2 Package Condensing unit family: P = Plus
3 Refrigerant T = R404A/R507,R455A,R454C,R448A/R449A,R452A S = R134a, R513A, R1234yf V = R454C, R455A, R452A, R404A/R507 I = R404A / R507, R134a, R407A, R407F, R448A, R513A, R449A, R452A, R454C, R455A K = R448A, R449A, R404A, R452A, R455A, R454C
4 Condenser M = Microchannel heat condenser
5 Swept volume Displacement in cm ³ : Example 034 = 34 cm ³
6 Compressor platform DP/DX/DS = Fixed speed Reciprocating compressor ML/LL = Fixed speed Scroll Compressors
7 Version P00: Optyma™ Plus (see Version table) P02: Optyma™ Plus with Liquid injection (see version table)
8 Voltage code G = 230V/1-phase compressor & fan E = 400V/3-phase compressor & 230V/1-phase fan

Version control

Optyma™ Plus	(P00)	(P02)
Condensing unit :IP level	IP54	IP54
Refrigerant	Group 1 / Group 2	
Compressor technology	Reciprocating / Scroll	
Control box (pre-wired E-panel)	Yes	Yes
Microchannel condenser	Yes	Yes
Fan speed controller	Yes (inbuilt in controller)	
Main switch (circuit breaker)	Yes	Yes
Filter drier (flare connections)	Yes	Yes
Sight glass	Yes	Yes
Crankcase heater	Yes	Yes
HP/LP adjustable pressostat	Electronic	
Fail safe mini-pressostat	Mechanical / Panel	
Access door(s)	Yes	Yes
Acoustic insulation	Yes*	Yes
Condensing unit electronic controller	Yes	Yes
Network connectivity	Yes	Yes
Stack mounting	Yes	Yes
Oil separator	-	-
Discharge gas thermostat	Yes	Yes
Common alarm contact SPDT (HP/LP alarm)	Yes	Yes
Liquid injection kit	-	Yes
Electrical Box design	IP54	IP54
Adjustable time delay (Compressor)	Yes	Yes
Pressure Relief Valve**	Yes	Yes

* Not Factory pre-mounted

** PED category II models only (See Technical data table)

Technical data

Application	Code	Model	Compressor Model	Electrical Code	Refrigerant	Receiver (L)	PED category*	PS	Suction Valve	Liquid Valve	Housing	Unit Dimensions (mm)		
								bar	Inch	Inch		H	W	L
LBP	114X3110	OP-LPVM016DPP00G	DPT16LA	G	V	1.3	I	32	3/8"	3/8"	H1	650	941	406
	114X3201	OP-LPVM026DSP00G	DST26NA	G	V	3.4	II	32	1/2"	1/2"	H2	813	1090	480
	114X3202	OP-LPVM034DSP00G	DST34LA	G	V	3.4	II	32	1/2"	1/2"	H2	813	1090	480
	114X3204	OP-LPVM048NTP00G	NTZ048-5	G	V	3.4	II	32	5/8"	3/8"	H2	813	1090	480
	114X3205	OP-LPVM048NTP00E	NTZ048-4	E	V	3.4	II	32	5/8"	3/8"	H2	813	1090	480
	114X3207	OP-LPVM068NTP00E	NTZ068-4	E	V	3.4	II	32	5/8"	3/8"	H2	813	1090	480
	114X3304	OP-LPKM067LLP02E	LLZ013T4B	E	K	6.2	II	32	3/4"	1/2"	H3	965	1441	531
	114X3305	OP-LPKM084LLP02E	LLZ015T4B	E	K	6.2	II	32	3/4"	1/2"	H3	965	1441	531
	114X3306	OP-LPKM098LLP02E	LLZ018T4B	E	K	6.2	II	32	3/4"	1/2"	H3	965	1441	531
	114X3405	OP-LPKM120LLP02E	LLZ024T4B	E	K	2 X 5	II	32	1 1/8"	3/4"	H4	966	1835	650
114X3406	OP-LPKM168LLP02E	LLZ034T4B	E	K	2 X 5	II	32	1 1/8"	3/4"	H4	966	1835	650	
MBP	114X4107	OP-MPTM008DYP00G	DLY80Rab	G	T	1.3	I	32	3/8"	3/8"	H1	650	941	406
	114X4111	OP-MPTM009DYP00G	DLY90Rab	G	T	1.3	I	32	3/8"	3/8"	H1	650	941	406
	114X4113	OP-MPTM012DPP00G	DPT12RA	G	T	1.3	I	32	3/8"	3/8"	H1	650	941	406
	114X4114	OP-MPTM014DPP00G	DPT14RA	G	T	1.3	I	32	3/8"	3/8"	H1	650	941	406
	114X4115	OP-MPTM018DXP00G	DX18Tba	G	T	1.3	I	32	3/8"	3/8"	H1	650	941	406
	114X4217	OP-MPTM021DXP00G	DX21Tba	G	T	3.4	II	32	1/2"	3/8"	H2	813	1090	480
	114X4237	OP-MPTM022DSP00G	DS22TB	G	T	3.4	II	32	1/2"	1/2"	H2	813	1090	480
	114X4238	OP-MPTM026DSP00G	DS26TB	G	T	3.4	II	32	1/2"	1/2"	H2	813	1090	480
	114X4239	OP-MPTM026DSP00E	DS26T3	E	T	3.4	II	32	1/2"	1/2"	H2	813	1090	480
	114X4243	OP-MPSM026CSP00G	CS26TB	G	S	3.4	I	32	1/2"	1/2"	H2	813	1090	480
	114X4244	OP-MPSM030CSP00G	CS30TB	G	S	3.4	I	32	1/2"	1/2"	H2	813	1090	480
	114X4241	OP-MPTM034DSP00G	DS34TB	G	T	3.4	II	32	1/2"	1/2"	H2	813	1090	480
	114X4242	OP-MPTM034DSP00E	DS34T3	E	T	3.4	II	32	1/2"	1/2"	H2	813	1090	480
	114X4204	OP-MPIM034MLP00E	MLZ015T4B	E	I	3.4	II	32	3/4"	1/2"	H2	813	1090	480
	114X4205	OP-MPIM034MLP00G	MLZ015T5B	G	I	3.4	II	32	3/4"	1/2"	H2	813	1090	480
	114X4218	OP-MPTM038DSP00G	DST38NA	G	T	3.4	II	32	1/2"	3/8"	H2	813	1090	480
	114X4206	OP-MPIM046MLP00E	MLZ021T4B	E	I	3.4	II	32	3/4"	1/2"	H2	813	1090	480
	114X4207	OP-MPIM046MLP00G	MLZ021T5B	G	I	3.4	II	32	3/4"	1/2"	H2	813	1090	480
	114X4208	OP-MPIM057MLP00E	MLZ026T4B	E	I	3.4	II	32	3/4"	1/2"	H2	813	1090	480
	114X4209	OP-MPIM057MLP00G	MLZ026T5B	G	I	3.4	II	32	3/4"	1/2"	H2	813	1090	480
	114X4306	OP-MPIM068MLP00E	MLZ030T4B	E	I	6.2	II	32	7/8"	5/8"	H3	965	1441	531
	114X4307	OP-MPIM068MLP00G	MLZ030T5B	G	I	6.2	II	32	7/8"	5/8"	H3	965	1441	531
	114X4309	OP-MPIM080MLP00E	MLZ038T4B	E	I	6.2	II	32	7/8"	5/8"	H3	965	1441	531
	114X4312	OP-MPIM080MLP00G	MLZ038T5B	G	I	6.2	II	32	7/8"	5/8"	H3	965	1441	531
	114X4314	OP-MPIM108MLP00E	MLZ048T4B	E	I	6.2	II	32	7/8"	5/8"	H3	965	1441	531
	114X4409	OP-MPIM125MLP00E	MLZ058T4B	E	I	2 X 5	II	32	1 1/8"	3/4"	H4	966	1835	650
	114X4410	OP-MPIM162MLP00E	MLZ076T4B	E	I	2 X 5	II	32	1 1/8"	3/4"	H4	966	1835	650

*PED Category for Group 1 fluid

Anleitung

Anhang – A

Technische Daten (Deutsch)

Typenschild

A	OP-MPXM068MLP00E		
B	114X4311		
C	Serial No.	064119CG1517	MADE IN INDIA
D	EAN No.	XXXXXXXXXXXXXX	
E	Fluid Group	1 & 2	
F	PED Category	II	
G	Application	MBP IP54	
H	PS _{HP}	-1/32 bar	Voltage 400V~3N~50Hz
I	PS _{LP}	-1/21.5 bar	LRA 60 A
J	PT	32 bar	MCC 14 A
K	TS	-20/ 63 °C	RLA 8.3 A
L	HP Switch Pressure	31 bar	
	Year of Mfg.	2021	
	PRV Setting	34.5 bar	

Address: Danfoss Ltd., 22 Wycombe End, HPP 118B, GB
 Danfoss A/S, 6430 Nordborg, Denmark

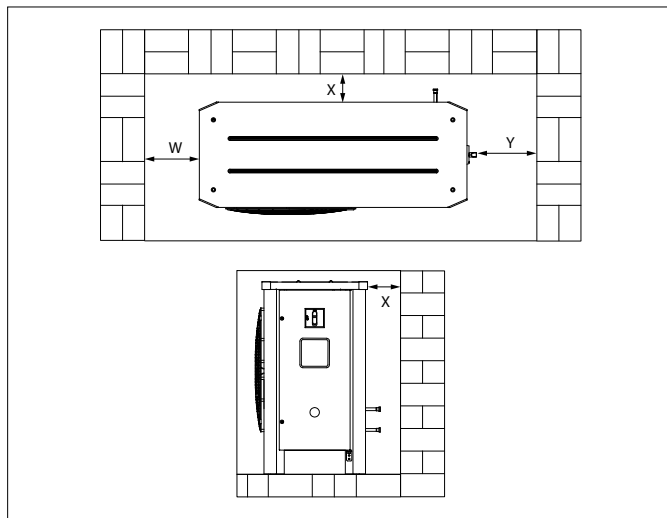


Abbildung 1: Mindestmontageabstände

Einheit	B [mm]	X [mm]	Y [mm]
Gehäuse 1 (Bestell-Nr. 114X31-- oder 114X41--)	250	550	460
Gehäuse 2 (Bestell-Nr. 114X32-- oder 114X42--)	250	650	530
Gehäuse 3 (Bestell-Nr. 114x33-- oder 114x43--)	250	760	580
Gehäuse 4 (Bestell-Nr. 114X34-- oder 114X44--)	250	700	700

*Genauere Werte siehe Typenschild in der Einheit

- A:** Typ
- B:** Bestellnummer
- C:** Seriennummer und Strichcode
- D:** EAN-Nummer
- E:** Kältemittel
- F:** PED-Kategorie
- G:** Anwendung, Schutzart
- H:** Maximal zulässiger Druck (HP-Seite)
- I:** Maximal zulässiger Druck (LP-Seite)
- J:** Prüfdruck
- K:** Maximal zulässige Auslegungstemperatur
- L:** Ansprechdruck des Sicherheitsventils

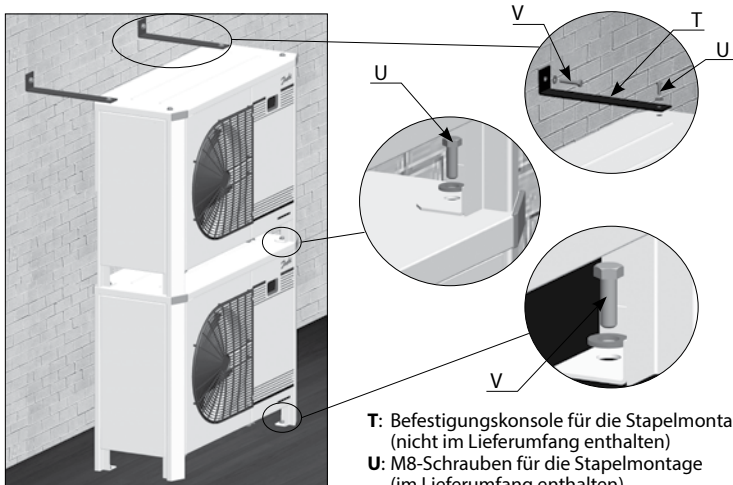


Abbildung 2: Stapelmontage

- T:** Befestigungskonsolle für die Stapelmontage (nicht im Lieferumfang enthalten)
- U:** M8-Schrauben für die Stapelmontage (im Lieferumfang enthalten)
- V:** Befestigungsschrauben (nicht im Lieferumfang enthalten)

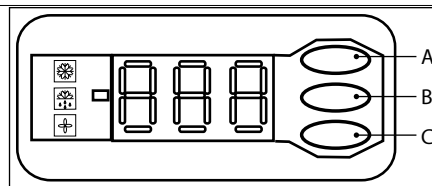


Abbildung 3: Display des elektronischen Reglers

- A:** Nach oben / Menü-Taste
- B:** Auswählen / Bestätigen
- C:** Nach unten-Taste
- Verdichter in Betrieb
- Kurbelwellenheizung in Betrieb
- Lüfter in Betrieb
- Temperaturwert für den Saugdruck. Untere Taste drücken, um zum Temperaturwert für den Verflüssigungsdruck zu wechseln.



Abbildung 4: Normale Verdrahtung



Abbildung 5: Vorübergehende Verdrahtung

Anleitung

Typenschlüssel für die Baureihe Optyma™ Plus

OP - MPIM 034 ML P00 G

1 2 3 4 5 6 7 8

1 Anwendung M = MBP (NORMALKÜHLUNG) L = LBP (TIEFKÜHLUNG)
2 Verbund Verflüssigungssatzbaureihe: P = Plus
3 Kältemittel T = R404A/R507,R455A,R454C,R448A/R449A,R452A S = R134a, R513A, R1234yf V = R454C, R455A, R452A, R404A/R507 I = R404A / R507, R134a, R407A, R407F, R448A, R513A, R449A, R452A, R454C, R455A K = R448A, R449A, R404A, R452A, R455A, R454C
4 Verflüssiger M = Microchannel-Heizkondensator
5 Hubvolumen Hubvolumen in cm ³ : Beispiel 034 = 34 cm ³
6 Verdichterplattform DP/DX/DS = Hubkolbenverdichter mit fester Drehzahl ML/LL = Scrollverdichter mit fester Drehzahl
7 Version P00: Optyma™ Plus (siehe Versionstabelle) P02: Optyma™ Plus mit Flüssigkeitseinspritzung (siehe Versionstabelle)
8 Spannungscodes G = 230 V/1-Phasen-Verdichter und Lüfter E = 400 V/3-Phasen-Verdichter und 230 V/1-Phasen-Lüfter

Regelungsversion

Optyma™ Plus	(P00)	(P02)
Verflüssigungssatz: IP-Schutzart	IP54	IP54
Kältemittel	Gruppe 1 / Gruppe 2	
Verdichtertechnologie	Hubkolbenverdichter / Scrollverdichter	
Integrierter elektrischer Schaltkasten	Ja	Ja
Microchannel-Verflüssiger	Ja	Ja
Lüfterdrehzahlregler	Ja (im Regler integriert)	
Hauptschalter (Leistungsschalter)	Ja	Ja
Filtertrockner (Bördelanschlüsse)	Ja	Ja
Schauglas	Ja	Ja
Kurbelgehäuseheizung	Ja	Ja
Einstellbarer HD-/ND-Druckschalter	Elektronischer	
Patronendruckschalter	Mechanisch / Schalttafel	
Servicetür(en)	Ja	Ja
Schalldämmung	Ja*	Ja
Verflüssigungssatz, elektronischer Regler	Ja	Ja
Netzwerkansbindungsoption	Ja	Ja
Stapelmontage	Ja	Ja
Ölabscheider	-	-
Heißgasthermostat	Ja	Ja
Sammelalarmkontakt SPDT (HD-/ND-Alarm)	Ja	Ja
Bausatz Flüssigkeitseinspritzung	-	Ja
Schutzart Schaltkasten	IP54	IP54
Einstellbare Verzögerungszeit (Verdichter)	Ja	Ja
Sicherheitsventil**	Ja	Ja

* Nicht werkseitig vormontiert

** Nur Typen der PED-Kategorie II (siehe Tabelle technische Daten)

Technische Daten

Anwendung	Codes	Verflüssigungssätze	Verdichter	Spannungscodes	Kältemittel	Sammler [L]	PED-Kategorie*	PS	Saugventil	Flüssigkeitsventil	Gehäuse	Abmessungen der Einheit (mm)			
								bar	Zoll	Zoll		H	B	L	
LBP (Tiefkühlung)	114X3110	OP-LPVM016DPP00G	DPT16LA	G	V	1.3	I	32	3/8"	3/8"	H1	650	941	406	
	114X3201	OP-LPVM026DSP00G	DST26NA	G	V	3.4	II	32	1/2"	1/2"	H2	813	1090	480	
	114X3202	OP-LPVM034DSP00G	DST34LA	G	V	3.4	II	32	1/2"	1/2"	H2	813	1090	480	
	114X3204	OP-LPVM048NTP00G	NTZ048-5	G	V	3.4	II	32	5/8"	3/8"	H2	813	1090	480	
	114X3205	OP-LPVM048NTP00E	NTZ048-4	E	V	3.4	II	32	5/8"	3/8"	H2	813	1090	480	
	114X3207	OP-LPVM068NTP00E	NTZ068-4	E	V	3.4	II	32	5/8"	3/8"	H2	813	1090	480	
	114X3304	OP-LPKM067LLP02E	LLZ013T4B	E	K	6.2	II	32	3/4"	1/2"	H3	965	1441	531	
	114X3305	OP-LPKM084LLP02E	LLZ015T4B	E	K	6.2	II	32	3/4"	1/2"	H3	965	1441	531	
	114X3306	OP-LPKM098LLP02E	LLZ018T4B	E	K	6.2	II	32	3/4"	1/2"	H3	965	1441	531	
	114X3405	OP-LPKM120LLP02E	LLZ024T4B	E	K	2 X 5	II	32	1 1/8"	3/4"	H4	966	1835	650	
	114X3406	OP-LPKM168LLP02E	LLZ034T4B	E	K	2 X 5	II	32	1 1/8"	3/4"	H4	966	1835	650	
	MBP (Normal-kühlung)	114X4107	OP-MPTM008DYP00G	DLY80RAb	G	T	1.3	I	32	3/8"	3/8"	H1	650	941	406
		114X4111	OP-MPTM009DYP00G	DLY90RAb	G	T	1.3	I	32	3/8"	3/8"	H1	650	941	406
		114X4113	OP-MPTM012DPP00G	DPT12RA	G	T	1.3	I	32	3/8"	3/8"	H1	650	941	406
114X4114		OP-MPTM014DPP00G	DPT14RA	G	T	1.3	I	32	3/8"	3/8"	H1	650	941	406	
114X4115		OP-MPTM018DXP00G	DX18Tba	G	T	1.3	I	32	3/8"	3/8"	H1	650	941	406	
114X4217		OP-MPTM021DXP00G	DX21Tba	G	T	3.4	II	32	1/2"	1/2"	H2	813	1090	480	
114X4237		OP-MPTM022DSP00G	DS22TB	G	T	3.4	II	32	1/2"	1/2"	H2	813	1090	480	
114X4238		OP-MPTM026DSP00G	DS26TB	G	T	3.4	II	32	1/2"	1/2"	H2	813	1090	480	
114X4239		OP-MPTM026DSP00E	DS26T3	E	T	3.4	II	32	1/2"	1/2"	H2	813	1090	480	
114X4243		OP-MPSM026CSP00G	CS26TB	G	S	3.4	I	32	1/2"	1/2"	H2	813	1090	480	
114X4244		OP-MPSM030CSP00G	CS30TB	G	S	3.4	I	32	1/2"	1/2"	H2	813	1090	480	
114X4241		OP-MPTM034DSP00G	DS34TB	G	T	3.4	II	32	1/2"	1/2"	H2	813	1090	480	
114X4242		OP-MPTM034DSP00E	DS34T3	E	T	3.4	II	32	1/2"	1/2"	H2	813	1090	480	
114X4204		OP-MPIM034MLP00E	MLZ015T4B	E	I	3.4	II	32	3/4"	1/2"	H2	813	1090	480	
114X4205		OP-MPIM034MLP00G	MLZ015T5B	G	I	3.4	II	32	3/4"	1/2"	H2	813	1090	480	
114X4218		OP-MPTM038DSP00G	DST38NA	G	I	3.4	II	32	1/2"	1/2"	H2	813	1090	480	
114X4206		OP-MPIM046MLP00E	MLZ021T4B	E	I	3.4	II	32	3/4"	1/2"	H2	813	1090	480	
114X4207		OP-MPIM046MLP00G	MLZ021T5B	G	I	3.4	II	32	3/4"	1/2"	H2	813	1090	480	
114X4208		OP-MPIM057MLP00E	MLZ026T4B	E	I	3.4	II	32	3/4"	1/2"	H2	813	1090	480	
114X4209		OP-MPIM057MLP00G	MLZ026T5B	G	I	3.4	II	32	3/4"	1/2"	H2	813	1090	480	
114X4306		OP-MPIM068MLP00E	MLZ030T4B	E	I	6.2	II	32	7/8"	5/8"	H3	965	1441	531	
114X4307		OP-MPIM068MLP00G	MLZ030T5B	G	I	6.2	II	32	7/8"	5/8"	H3	965	1441	531	
114X4309		OP-MPIM080MLP00E	MLZ038T4B	E	I	6.2	II	32	7/8"	5/8"	H3	965	1441	531	
114X4312		OP-MPIM080MLP00G	MLZ038T5B	G	I	6.2	II	32	7/8"	5/8"	H3	965	1441	531	
114X4314		OP-MPIM108MLP00E	MLZ048T4B	E	I	6.2	II	32	7/8"	5/8"	H3	965	1441	531	
114X4409		OP-MPIM125MLP00E	MLZ058T4B	E	I	2 X 5	II	32	1 1/8"	3/4"	H4	966	1835	650	
114X4410		OP-MPIM162MLP00E	MLZ076T4B	E	I	2 X 5	II	32	1 1/8"	3/4"	H4	966	1835	650	

*PED-Kategorie für Fluide der Gruppe 1

Instructions

Annexe - A

Données techniques (Français)

Plaque signalétique

A	OP-MPXM068MLP00E		
B	114X4311		
C	Serial No.	064119CG1517	MADE IN INDIA
D	EAN No.	XXXXXXXXXXXXXX	
E	Fluid Group	1 & 2	
F	PED Category	II	
G	Application	MBP IP54	
H	PS _{HP}	-1/32 bar	Voltage 400V~3N~50Hz
I	PS _{LP}	-1/21.5 bar	LRA 60 A
J	PT	32 bar	MCC 14 A
K	TS	-20/ 63 °C	RLA 8.3 A
L	HP Switch Pressure	31 bar	
	Year of Mfg.	2021	
	PRV Setting	34.5 bar	

089 Only for Norway 0045 0879

 Address : Danfoss Ltd., 22 Wycombe End, HPP 1NB, GB

 හෙටෙප්: 108 නි || ටැන්ෆොස්, 108/ 04080, කෑලා 80, නි.ව. 168, ශ්‍රී ලංකා

 Danfoss A/S, 6430 Nordborg, Denmark

 118U3415

* Pour connaître les valeurs exactes, reportez-vous à la plaque signalétique du groupe

- | | |
|--|--|
| A: Modèle | I: Pression maximale admissible (côté BP) |
| B: N° de code | J: pression d'essai |
| C: N° de série et code-barres | K: Température de conception maximale autorisée |
| D: numéro EAN | L: pression de consigne de la soupape de sécurité |
| E: Réfrigérant | |
| F: Catégorie PED | |
| G: Application, Indice de protection | |
| H: Pression maximale admissible (côté HP) | |

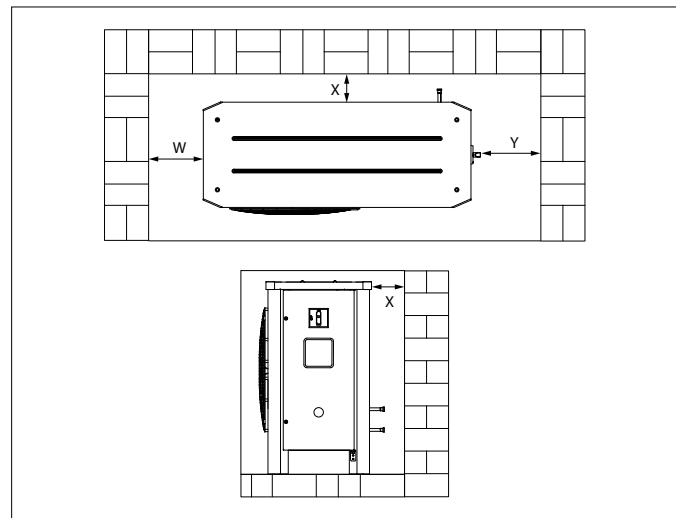


Illustration 1 : Distances de montage minimales

Unité	W [mm]	X [mm]	Y [mm]
Boîtier 1 (n° de code 114X31-- ou 114X41--)	250	550	460
Boîtier 2 (n° de code 114X32-- ou 114X42--)	250	650	530
Boîtier 3 (n° de code 114x33-- ou 114x43--)	250	760	580
Boîtier 4 (n° de code 114X34-- ou 114X44--)	250	700	700

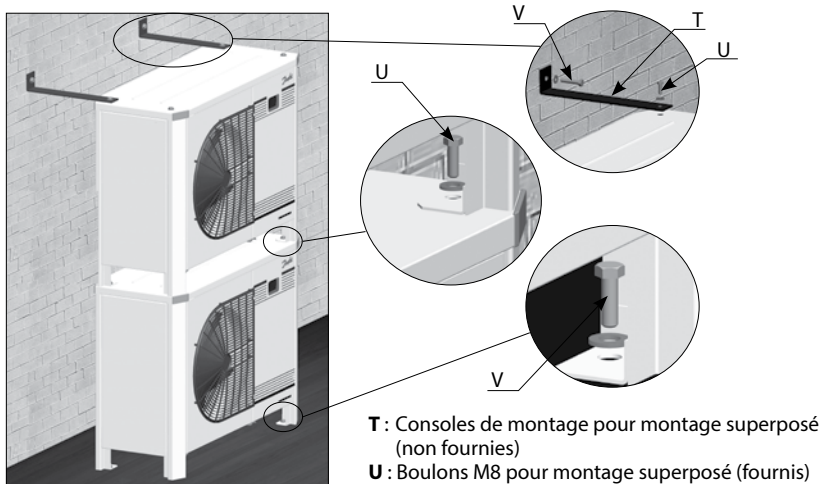


Illustration 2 : Montage superposé

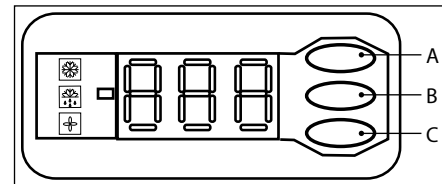


Illustration 3 : Affichage du régulateur électronique

- A :** Bouton défilement vers le Haut/Menu
- B :** Sélectionner / Confirmer
- C :** Bouton défilement vers le Bas

- Compresseur en fonctionnement
- Résistance de carter activée
- Ventilateur actif.

Valeur de température pour la pression d'aspiration. Appuyez sur le bouton inférieur pour passer à la valeur de la température pour la pression de condensation.



Illustration 4 : Câblage normal



Illustration 5 : Câblage temporaire

Instructions

Nomenclature de la désignation pour la gamme Optyma™ Plus

OP - MPIM 034 ML P00 G

1 2 3 4 5 6 7 8

1 Application M = MOYENNES TEMPÉRATURES L = BASSES TEMPÉRATURES
2 Groupe carrossé Gamme : P = Plus
3 Réfrigérant T = R404A/R507,R455A,R454C,R448A/R449A,R452A S = R134a, R513A, R1234yf V = R454C, R455A, R452A, R404A/R507 I = R404A / R507, R134a, R407A, R407F, R448A, R513A, R449A, R452A, R454C, R455A K = R448A, R449A, R404A, R452A, R455A, R454C
4 Condenseur M = Condenseur de chaleur à microcanaux
5 Volume balayé Déplacement en cm ³ : Exemple 034 = 34 cm ³
6. Plateforme de compresseur DP/DX/DS = compresseur à piston à vitesse fixe ML/LL = Compresseurs Scroll à vitesse fixe
7 Version P00 : Optyma™ Plus (voir tableau des versions) P02: Optyma™ Plus avec injection de liquide (voir tableau des versions)
8 Code tension G = Compresseur et ventilateur monophasés/230 V E = Compresseur triphasé/400 V et ventilateur monophasé/230 V

Contrôle de version

Optyma™ Plus	(P00)	(P02)
Groupe de condensation : niveau IP	IP54	IP54
Réfrigérant	Groupe 1 / Groupe 2	
Technologie du compresseur	Compresseur piston / Scroll	
Boîtier de commande (panneau électrique précâblé)	Oui	Oui
Condenseur à microcanaux	Oui	Oui
Variateur de vitesse du ventilateur	Oui (intégré au régulateur)	
Interrupteur général (coupe-circuit)	Oui	Oui
Filtre déshydrateur (raccords flare)	Oui	Oui
Voyant liquide	Oui	Oui
Résistance de carter	Oui	Oui
Pressostat ajustable HP/BP	Électronique	
Mini-pressostat avec sécurité intégrée	Mécanique / Panneau	
Porte(s) d'accès	Oui	Oui
Isolation acoustique	Oui*	Oui
Groupe de condensation avec régulateur électronique	Oui	Oui
Connectivité réseau	Oui	Oui
Superposable	Oui	Oui
Séparateur d'huile	-	-
Thermostat du gaz de refoulement	Oui	Oui
Contact d'alarme commun SPDT (alarme HP/BP)	Oui	Oui
Kit d'injection de liquide	-	-
Conception du boîtier électrique	IP54	IP54
Temporisation réglable (compresseur)	Oui	Oui
Soupape de sécurité**	Oui	Oui

* Non préinstallé en usine

** Modèles PED de catégorie II uniquement (voir le tableau des caractéristiques techniques)

Données techniques

Application	Codes	Modèle du groupe de condensation	Compresseur	Code électrique	Réfrigérant	Réservoir (l)	Catégorie PED*	PS	Vanne d'aspiration	Vanne de liquide	Boîtier	Dimensions de l'unité (mm)		
												bar	Pouce	Pouce
Basses températures	114X3110	OP-LPVM016DPP00G	DPT16LA	G	V	1.3	I	32	3/8"	3/8"	H1	650	941	406
	114X3201	OP-LPVM026DSP00G	DST26NA	G	V	3.4	II	32	1/2"	1/2"	H2	813	1090	480
	114X3202	OP-LPVM034DSP00G	DST34LA	G	V	3.4	II	32	1/2"	1/2"	H2	813	1090	480
	114X3204	OP-LPVM048NTP00G	NTZ048-5	G	V	3.4	II	32	5/8"	3/8"	H2	813	1090	480
	114X3205	OP-LPVM048NTP00E	NTZ048-4	E	V	3.4	II	32	5/8"	3/8"	H2	813	1090	480
	114X3207	OP-LPVM068NTP00E	NTZ068-4	E	V	3.4	II	32	5/8"	3/8"	H2	813	1090	480
	114X3304	OP-LPKM067LLP02E	LLZ013T4B	E	K	6.2	II	32	3/4"	1/2"	H3	965	1441	531
	114X3305	OP-LPKM084LLP02E	LLZ015T4B	E	K	6.2	II	32	3/4"	1/2"	H3	965	1441	531
	114X3306	OP-LPKM098LLP02E	LLZ018T4B	E	K	6.2	II	32	3/4"	1/2"	H3	965	1441	531
	114X3405	OP-LPKM120LLP02E	LLZ024T4B	E	K	2 X 5	II	32	1 1/8"	3/4"	H4	966	1835	650
114X3406	OP-LPKM168LLP02E	LLZ034T4B	E	K	2 X 5	II	32	1 1/8"	3/4"	H4	966	1835	650	
Moyennes températures (MT)	114X4107	OP-MPTM008DYP00G	DLY90Rab	G	T	1.3	I	32	3/8"	3/8"	H1	650	941	406
	114X4111	OP-MPTM009DYP00G	DLY90Rab	G	T	1.3	I	32	3/8"	3/8"	H1	650	941	406
	114X4113	OP-MPTM012DPP00G	DPT12RA	G	T	1.3	I	32	3/8"	3/8"	H1	650	941	406
	114X4114	OP-MPTM014DPP00G	DPT14RA	G	T	1.3	I	32	3/8"	3/8"	H1	650	941	406
	114X4115	OP-MPTM018DXP00G	DX18Tba	G	T	1.3	I	32	3/8"	3/8"	H1	650	941	406
	114X4217	OP-MPTM021DXP00G	DX21Tba	G	T	3.4	II	32	1/2"	1/2"	H2	813	1090	480
	114X4237	OP-MPTM022DSP00G	DS22TB	G	T	3.4	II	32	1/2"	1/2"	H2	813	1090	480
	114X4238	OP-MPTM026DSP00G	DS26TB	G	T	3.4	II	32	1/2"	1/2"	H2	813	1090	480
	114X4239	OP-MPTM026DSP00E	DS26T3	E	T	3.4	II	32	1/2"	1/2"	H2	813	1090	480
	114X4243	OP-MPSM026CSP00G	CS26TB	G	S	3.4	I	32	1/2"	1/2"	H2	813	1090	480
	114X4244	OP-MPSM030CSP00G	CS30TB	G	S	3.4	I	32	1/2"	1/2"	H2	813	1090	480
	114X4241	OP-MPTM034DSP00G	DS34TB	G	T	3.4	II	32	1/2"	1/2"	H2	813	1090	480
	114X4242	OP-MPTM034DSP00E	DS34T3	E	T	3.4	II	32	1/2"	1/2"	H2	813	1090	480
	114X4204	OP-MPIM034MLP00E	MLZ015T4B	E	I	3.4	II	32	3/4"	1/2"	H2	813	1090	480
	114X4205	OP-MPIM034MLP00G	MLZ015T5B	G	I	3.4	II	32	3/4"	1/2"	H2	813	1090	480
	114X4218	OP-MPTM038DSP00G	DST38NA	G	I	3.4	II	32	1/2"	1/2"	H2	813	1090	480
	114X4206	OP-MPIM046MLP00E	MLZ021T4B	E	I	3.4	II	32	3/4"	1/2"	H2	813	1090	480
	114X4207	OP-MPIM046MLP00G	MLZ021T5B	G	I	3.4	II	32	3/4"	1/2"	H2	813	1090	480
	114X4208	OP-MPIM057MLP00E	MLZ026T4B	E	I	3.4	II	32	3/4"	1/2"	H2	813	1090	480
	114X4209	OP-MPIM057MLP00G	MLZ026T5B	G	I	3.4	II	32	3/4"	1/2"	H2	813	1090	480
	114X4306	OP-MPIM068MLP00E	MLZ030T4B	E	I	6.2	II	32	7/8"	5/8"	H3	965	1441	531
	114X4307	OP-MPIM068MLP00G	MLZ030T5B	G	I	6.2	II	32	7/8"	5/8"	H3	965	1441	531
	114X4309	OP-MPIM080MLP00E	MLZ038T4B	E	I	6.2	II	32	7/8"	5/8"	H3	965	1441	531
	114X4312	OP-MPIM080MLP00G	MLZ038T5B	G	I	6.2	II	32	7/8"	5/8"	H3	965	1441	531
	114X4314	OP-MPIM108MLP00E	MLZ048T4B	E	I	6.2	II	32	7/8"	5/8"	H3	965	1441	531
	114X4409	OP-MPIM125MLP00E	MLZ058T4B	E	I	2 X 5	II	32	1 1/8"	3/4"	H4	966	1835	650
	114X4410	OP-MPIM162MLP00E	MLZ076T4B	E	I	2 X 5	II	32	1 1/8"	3/4"	H4	966	1835	650

*Catégorie PED pour les fluides du groupe 1

Instrucciones

Anexo A

Datos técnicos (Español)

Placa de características

A	OP-MPXM068MLP00E			
B	114X4311			
C	Serial No.	064119CG1517	MADE IN INDIA	
D	EAN No.	XXXXXXXXXXXXXX		
E	Fluid Group	1 & 2		
F	PED Category	II		
G	Application	MBP IP54		
H	PS _{HP}	-1/32 bar	Voltage	400V~3N~50Hz
I	PS _{LP}	-1/21.5 bar	LRA	60 A
J	PT	32 bar	MCC	14 A
K	TS	-20/ 63 °C	RLA	8.3 A
L	HP Switch Pressure	31 bar		
	Year of Mfg.	2021		
	PRV Setting	34.5 bar		

Address: Danfoss Ltd., 22 Wycombe End, HP9 1NB, GB
 Import: TOB s.r.l. "Danfoss TOB" 04080, Kula 80, n.r. 168, Ypsala

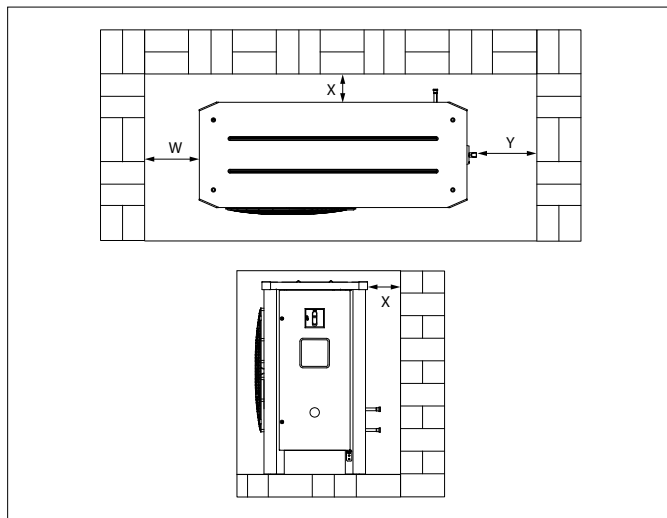


Ilustración 1: distancias de montaje mínimas

Unidad	W [mm]	X [mm]	Y [mm]
Carcasa 1 (Código 114X31-- o 114X41--)	250	550	460
Carcasa 2 (Código 114X32-- o 114X42--)	250	650	530
Carcasa 3 (Código 114x33-- o 114x43--)	250	760	580
Carcasa 4 (Código 114X34-- o 114X44--)	250	700	700

* Para obtener los valores exactos, consulte la placa de características de la unidad

- A:** Modelo
- B:** Código
- C:** Número de serie y código de barras
- D:** número EAN
- E:** Refrigerante
- F:** Categoría PED
- G:** Aplicación, Grado de protección
- H:** Presión máxima permitida (lado HP)
- I:** Presión máxima permitida (lado LP)
- J:** Presión de prueba
- K:** Temperatura de diseño máxima permitida
- L:** presión establecida de la válvula de alivio de presión

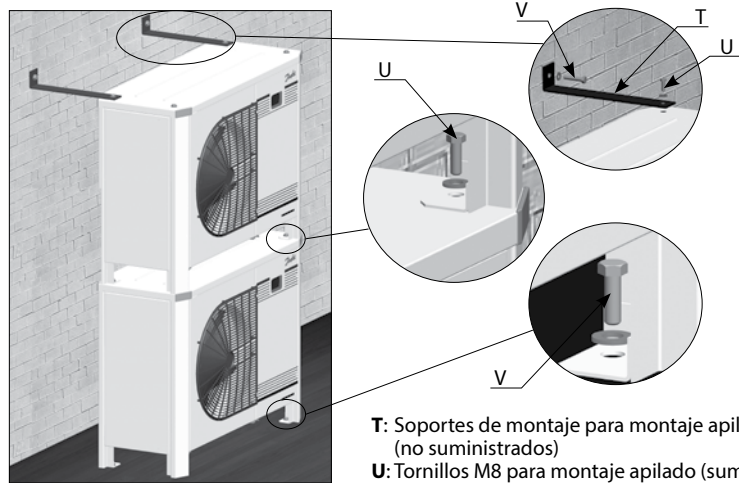


Ilustración 2: Montaje apilado

- T:** Soportes de montaje para montaje apilado (no suministrados)
- U:** Tornillos M8 para montaje apilado (suministrados)
- V:** Tornillos de montaje (no suministrados)

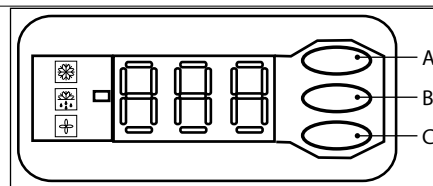


Ilustración 3: Pantalla del controlador electrónico

- A:** Botón Arriba / Menú
- B:** Seleccionar / Confirmar
- C:** Botón Abajo
- Compresor en funcionamiento
- Resistencia del cárter activada
- Ventilador en funcionamiento
- Temperatura a la presión de aspiración. Pulse el botón inferior para consultar la temperatura a la presión de condensación.



Ilustración 4: Cableado normal

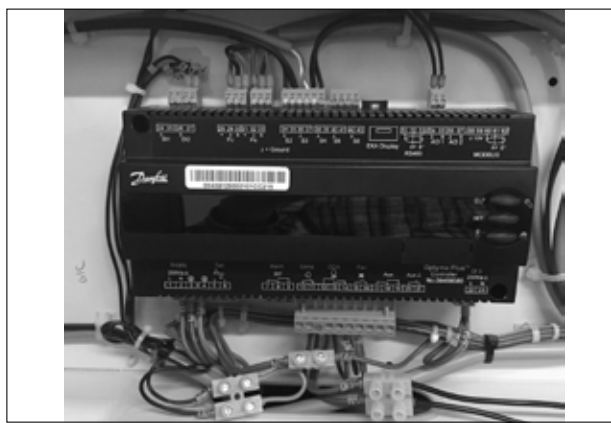


Ilustración 5: Cableado temporal

Instrucciones

Sistema de designación para la gama Optyma™ Plus

OP - MPIM 034 ML P00 G

1 2 3 4 5 6 7 8

1 Aplicación M = MBP L = LBP
2 Familia Familia de unidades condensadoras: P = Plus
3 Refrigerante T = R404A/R507, R455A, R454C, R448A/R449A, R452A S = R134a, R513A, R1234yf V = R454C, R455A, R452A, R404A/R507 I = R404A / R507, R134a, R407A, R407F, R448A, R513A, R449A, R452A, R454C, R455A K = R448A, R449A, R404A, R452A, R455A, R454C
4 Condensador M = Intercambiador de calor de microcanales
5 Volumen desplazado Desplazamiento en cm ³ : Ejemplo 034 = 34 cm ³
6 Plataforma del compresor DP/DX/DS = compresor alternativo de velocidad fija ML/LL = compresores scroll de velocidad fija
7 Versión P00: Optyma™ Plus (consulte la tabla de versiones) P02: Optyma™ Plus con inyección de líquido (consulte la tabla de versiones)
8 Código de tensión G = Compresor y ventilador de 230V/monofásicos E = Compresor de 400V/trifásico y ventilador de 230V/monofásico

Control de versión

Optyma™ Plus	(P00)	(P02)
Unidad condensadora: nivel IP	IP54	IP54
Refrigerante	Grupo 1 / Grupo 2	
Tecnología del compresor	Alternativo / Scroll	
Caja de control (panel eléctrico precableado)	Sí	Sí
Condensador de microcanales	Sí	Sí
Controlador de velocidad para ventilador	Sí (integrado en el controlador)	
Interruptor principal (disyuntor)	Sí	Sí
Filtro secador (conexiones roscadas)	Sí	Sí
Visor de líquido	Sí	Sí
Resistencia de cárter	Sí	Sí
Presostato ajustable de HP/LP	Electrónico	
Minipresostato a prueba de fallos	Mecánico/panel	
Puerta(s) de acceso	Sí	Sí
Aislamiento acústico	Sí*	Sí
Controlador electrónico de la unidad condensadora	Sí	Sí
Conectividad de red	Sí	Sí
Montaje apilado	Sí	Sí
Separador de aceite	-	-
Termostato de gas de descarga	Sí	Sí
Contacto de alarma común SPDT (alarma HP/LP)	Sí	Sí
Kit de inyección de líquido	-	-
Diseño de la caja eléctrica	IP54	IP54
Retardo ajustable (compresor)	Sí	Sí
Válvula de alivio de presión**	Sí	Sí

*No premontado de fábrica

** Solo modelos de categoría PED II (consulte la tabla de datos técnicos)

Datos técnicos

Aplicación	Códigos	Modelo de unidad condensadora	Compresor	Código eléctrico	Refrigerante	Recipiente (L)	Categoría PED*	PS bar	Válvula de aspiración Pulgada	Válvula de líquido Pulgada	alojamiento	Dimensiones de la unidad (mm)		
												H	W	L
LBP	114X3110	OP-LPVM016DPP00G	DPT16LA	G	V	1.3	I	32	3/8"	3/8"	H1	650	941	406
	114X3201	OP-LPVM026DSP00G	DST26NA	G	V	3.4	II	32	1/2"	1/2"	H2	813	1090	480
	114X3202	OP-LPVM034DSP00G	DST34LA	G	V	3.4	II	32	1/2"	1/2"	H2	813	1090	480
	114X3204	OP-LPVM048NTP00G	NTZ048-5	G	V	3.4	II	32	5/8"	3/8"	H2	813	1090	480
	114X3205	OP-LPVM048NTP00E	NTZ048-4	E	V	3.4	II	32	5/8"	3/8"	H2	813	1090	480
	114X3207	OP-LPVM068NTP00E	NTZ068-4	E	V	3.4	II	32	5/8"	3/8"	H2	813	1090	480
	114X3304	OP-LPKM067LLP02E	LLZ013T4B	E	K	6.2	II	32	3/4"	1/2"	H3	965	1441	531
	114X3305	OP-LPKM084LLP02E	LLZ015T4B	E	K	6.2	II	32	3/4"	1/2"	H3	965	1441	531
	114X3306	OP-LPKM098LLP02E	LLZ018T4B	E	K	6.2	II	32	3/4"	1/2"	H3	965	1441	531
	114X3405	OP-LPKM120LLP02E	LLZ024T4B	E	K	2 X 5	II	32	1 1/8"	3/4"	H4	966	1835	650
	114X3406	OP-LPKM168LLP02E	LLZ034T4B	E	K	2 X 5	II	32	1 1/8"	3/4"	H4	966	1835	650
	114X4107	OP-MPTM008DYP00G	DLY80RAB	G	T	1.3	I	32	3/8"	3/8"	H1	650	941	406
	114X4111	OP-MPTM009DYP00G	DLY90RAB	G	T	1.3	I	32	3/8"	3/8"	H1	650	941	406
	114X4113	OP-MPTM012DPP00G	DPT12RA	G	T	1.3	I	32	3/8"	3/8"	H1	650	941	406
114X4114	OP-MPTM014DPP00G	DPT14RA	G	T	1.3	I	32	3/8"	3/8"	H1	650	941	406	
114X4115	OP-MPTM018DXP00G	DX18Tba	G	T	1.3	I	32	3/8"	3/8"	H1	650	941	406	
114X4217	OP-MPTM021DXP00G	DX21Tba	G	T	3.4	II	32	1/2"	1/2"	H2	813	1090	480	
114X4237	OP-MPTM022DSP00G	DS22TB	G	T	3.4	II	32	1/2"	1/2"	H2	813	1090	480	
114X4238	OP-MPTM026DSP00G	DS26TB	G	T	3.4	II	32	1/2"	1/2"	H2	813	1090	480	
114X4239	OP-MPTM026DSP00E	DS26T3	E	T	3.4	II	32	1/2"	1/2"	H2	813	1090	480	
114X4243	OP-MPSM026CSP00G	CS26TB	G	S	3.4	I	32	1/2"	1/2"	H2	813	1090	480	
114X4244	OP-MPSM030CSP00G	CS30TB	G	S	3.4	I	32	1/2"	1/2"	H2	813	1090	480	
114X4241	OP-MPTM034DSP00G	DS34TB	G	T	3.4	II	32	1/2"	1/2"	H2	813	1090	480	
114X4242	OP-MPTM034DSP00E	DS34T3	E	T	3.4	II	32	1/2"	1/2"	H2	813	1090	480	
114X4204	OP-MPIM034MLP00E	MLZ015T4B	E	I	3.4	II	32	3/4"	1/2"	H2	813	1090	480	
114X4205	OP-MPIM034MLP00G	MLZ015T5B	G	I	3.4	II	32	3/4"	1/2"	H2	813	1090	480	
114X4218	OP-MPTM038DSP00G	DST38NA	G	I	3.4	II	32	1/2"	1/2"	H2	813	1090	480	
114X4206	OP-MPIM046MLP00E	MLZ021T4B	E	I	3.4	II	32	3/4"	1/2"	H2	813	1090	480	
114X4207	OP-MPIM046MLP00G	MLZ021T5B	G	I	3.4	II	32	3/4"	1/2"	H2	813	1090	480	
114X4208	OP-MPIM057MLP00E	MLZ026T4B	E	I	3.4	II	32	3/4"	1/2"	H2	813	1090	480	
114X4209	OP-MPIM057MLP00G	MLZ026T5B	G	I	3.4	II	32	3/4"	1/2"	H2	813	1090	480	
114X4306	OP-MPIM068MLP00E	MLZ030T4B	E	I	6.2	II	32	7/8"	5/8"	H3	965	1441	531	
114X4307	OP-MPIM068MLP00G	MLZ030T5B	G	I	6.2	II	32	7/8"	5/8"	H3	965	1441	531	
114X4309	OP-MPIM080MLP00E	MLZ038T4B	E	I	6.2	II	32	7/8"	5/8"	H3	965	1441	531	
114X4312	OP-MPIM080MLP00G	MLZ038T5B	G	I	6.2	II	32	7/8"	5/8"	H3	965	1441	531	
114X4314	OP-MPIM108MLP00E	MLZ048T4B	E	I	6.2	II	32	7/8"	5/8"	H3	965	1441	531	
114X4409	OP-MPIM125MLP00E	MLZ058T4B	E	I	2 X 5	II	32	1 1/8"	3/4"	H4	966	1835	650	
114X4410	OP-MPIM162MLP00E	MLZ076T4B	E	I	2 X 5	II	32	1 1/8"	3/4"	H4	966	1835	650	

*Categoría PED para líquidos del Grupo 1

Istruzioni

Allegato A

Dati tecnici (Italiano)

Targhetta

A	OP-MPXM068MLP00E		MADE IN INDIA
B	114X4311		
C	Serial No. 064119CG1517		
D	EAN No. XXXXXXXXXXXXX		
E	Fluid Group 1 & 2		
F	PED Category II		
G	Application MBP IP54		
H	PS _{HP} -1/32 bar	Voltage 400V~3N~50Hz	
I	PS _{LP} -1/21.5 bar	LRA 60 A	
J	PT 32 bar	MCC 14 A	
K	TS -20/ 63°C	RLA 8.3 A	
	HP Switch Pressure 31 bar		
	Year of Mfg. 2021		
L	PRV Setting 34.5 bar		

Address: Danfoss Ltd., 22 Wycombe End, HP9 1NB, GB
 (Innoprog:TCB 1 il Danfoss, TCB 04080, Kula 80, n.c. 168, Ypsala)

Danfoss A/S, 6430 Nordborg, Denmark
 118U3415

* Per i valori esatti, fare riferimento alla targhetta affissa sull'unità

- | | |
|--|--|
| A: Modello | I: Pressione massima ammissibile (lato LP) |
| B: Codice | J: Pressione di prova |
| C: Numero di serie e codice a barre | K: Temperatura di progetto massima consentita |
| D: numero EAN | L: pressione impostata della valvola limitatrice di pressione |
| E: Refrigerante | |
| F: Categoria PED | |
| G: Applicazione, Grado di protezione | |
| H: Pressione massima consentita (lato HP) | |

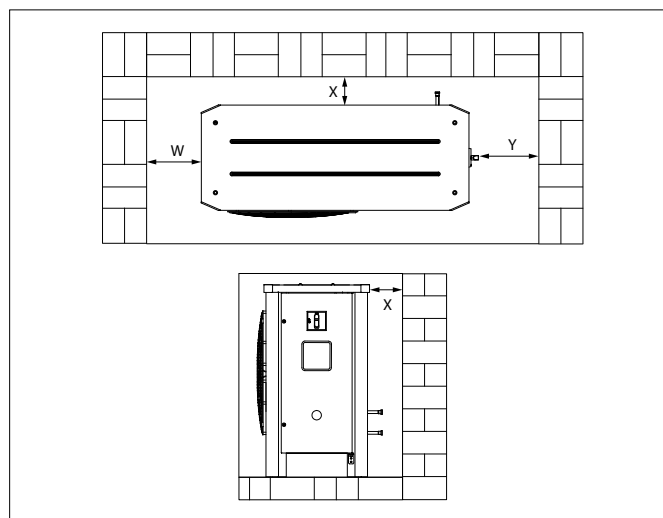


Figura 1: Distanze di montaggio minime

Unità	W [mm]	X [mm]	Y [mm]
Involucro 1 (Codice n. 114X31-- o 114X41--)	250	550	460
Involucro 2 (Codice n. 114X32-- o 114X42--)	250	650	530
Involucro 3 (Codice n. 114x33-- o 114x43--)	250	760	580
Involucro 4 (Codice n. 114X34-- o 114X44--)	250	700	700

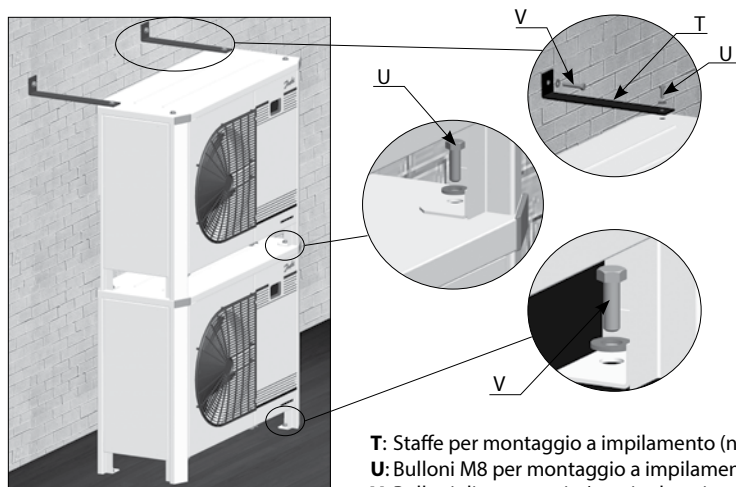


Figura 2: Montaggio a impilamento

- T:** Staffe per montaggio a impilamento (non in dotazione)
U: Bulloni M8 per montaggio a impilamento (in dotazione)
V: Bulloni di montaggio (non in dotazione)

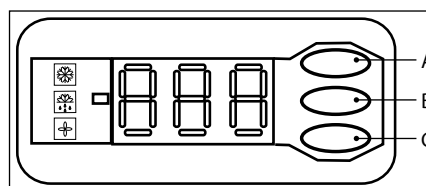


Figura 3: Display regolatore elettronico

- A:** Pulsante Su / Menu
B: Seleziona / Conferma
C: Pulsante Giù
- Compressore in funzione
 - Resistenza carter in funzione
 - Ventilatore in funzione
 - Valore temperatura per la pressione di aspirazione. Premere il pulsante inferiore per selezionare il valore della temperatura per la pressione di condensazione



Figura 4: Cablaggio normale



Figura 5: Cablaggio temporaneo

Istruzioni

Nomenclatura per la gamma Optyma™ Plus

OP - MPIM 034 ML P00 G

1 2 3 4 5 6 7 8

1 Applicazione M = MBP L = LBP
2 Pacchetto Famiglia di unità condensatrici: P = Plus
3 Refrigerante T = R404A/R507, R455A, R454C, R448A/R449A, R452A S = R134a, R513A, R1234yf V = R454C, R455A, R452A, R404A/R507 I = R404A / R507, R134a, R407A, R407F, R448A, R513A, R449A, R452A, R454C, R455A K = R448A, R449A, R404A, R452A, R455A, R454C
4 Condensatore M = Condensatore di calore a microcanali
5 Volume generato Spostamento in cm ³ : Esempio 034 = 34 cm ³
6 Piattaforma del compressore DP/DX/DS = compressore alternativo a velocità fissa ML/LL = Compressori scroll a velocità fissa
7 Versione P00: Optyma™ Plus (vedere la tabella delle versioni) P02: Optyma™ Plus con iniezione di liquido (vedere la tabella delle versioni)
8 Codice di tensione G = Compressore 230 V/monofase e ventilatore E = Compressore 400 V/trifase e ventilatore 230 V/monofase

Controllo versione

Optyma™ Plus	(P00)	(P02)
Unità condensatrice: grado IP	IP54	IP54
Refrigerante	Gruppo 1 / Gruppo 2	
Tecnologia compressore	Alternativo / Scroll	
Centralina (pannello E pre-cablato)	Si	Si
Condensatore a microcanali	Si	Si
Regolatore velocità ventilatori	Si (regolatore integrato)	
Interruttore principale (interruttore automatico)	Si	Si
Filtro essiccatore (attacchi a cartella)	Si	Si
Spia liquido	Si	Si
Resistenza carter	Si	Si
Pressostato regolabile AP/BP	Elettronico	
Mini pressostato fail safe	Meccanico/Pannello	
Sportello/i di accesso	Si	Si
Isolamento acustico	Si*	Si
Regolatore elettronico unità condensatrice	Si	Si
Connettività di rete	Si	Si
Montaggio a impilamento	Si	Si
Separatore olio	-	-
Termostato del gas di mandata	Si	Si
Contatto allarme comune SPDT (allarme HP/LP)	Si	Si
Kit di iniezione di liquido	-	-
Nota centralina elettrica	IP54	IP54
Ritardo regolabile (compressore)	Si	Si
Valvola limitatrice di pressione**	Si	Si

* Non preassemblato in fabbrica

** Solo modelli di categoria PED II (vedere la tabella Dati tecnici)

Dati tecnici

Applicazione	Codici	Modello di unità condensatrice	Compressor Model	Codice elettrico	Refrigerante	Ricevitore (L)	Categoria PED*	PS	Valvola di aspirazione	Valvola liquido	alloggiamento	Dimensioni unità (mm)		
												bar	Pollici	Pollici
LBP	114X3110	OP-LPVM016DPP00G	DPT16LA	G	V	1.3	I	32	3/8"	3/8"	H1	650	941	406
	114X3201	OP-LPVM026DSP00G	DST26NA	G	V	3.4	II	32	1/2"	1/2"	H2	813	1090	480
	114X3202	OP-LPVM034DSP00G	DST34LA	G	V	3.4	II	32	1/2"	1/2"	H2	813	1090	480
	114X3204	OP-LPVM048NTP00G	NTZ048-5	G	V	3.4	II	32	5/8"	3/8"	H2	813	1090	480
	114X3205	OP-LPVM048NTP00E	NTZ048-4	E	V	3.4	II	32	5/8"	3/8"	H2	813	1090	480
	114X3207	OP-LPVM068NTP00E	NTZ068-4	E	V	3.4	II	32	5/8"	3/8"	H2	813	1090	480
	114X3304	OP-LPKM067LLP02E	LLZ013T4B	E	K	6.2	II	32	3/4"	1/2"	H3	965	1441	531
	114X3305	OP-LPKM084LLP02E	LLZ015T4B	E	K	6.2	II	32	3/4"	1/2"	H3	965	1441	531
	114X3306	OP-LPKM098LLP02E	LLZ018T4B	E	K	6.2	II	32	3/4"	1/2"	H3	965	1441	531
	114X3405	OP-LPKM120LLP02E	LLZ024T4B	E	K	2 X 5	II	32	1 1/8"	3/4"	H4	966	1835	650
114X3406	OP-LPKM168LLP02E	LLZ034T4B	E	K	2 X 5	II	32	1 1/8"	3/4"	H4	966	1835	650	
MBP	114X4107	OP-MPTM008DYP00G	DLY80RAB	G	T	1.3	I	32	3/8"	3/8"	H1	650	941	406
	114X4111	OP-MPTM009DYP00G	DLY90RAB	G	T	1.3	I	32	3/8"	3/8"	H1	650	941	406
	114X4113	OP-MPTM012DPP00G	DPT12RA	G	T	1.3	I	32	3/8"	3/8"	H1	650	941	406
	114X4114	OP-MPTM014DPP00G	DPT14RA	G	T	1.3	I	32	3/8"	3/8"	H1	650	941	406
	114X4115	OP-MPTM018DXP00G	DX18Tba	G	T	1.3	I	32	3/8"	3/8"	H1	650	941	406
	114X4217	OP-MPTM021DXP00G	DX21Tba	G	T	3.4	II	32	1/2"	1/2"	H2	813	1090	480
	114X4237	OP-MPTM022DSP00G	DS22TB	G	T	3.4	II	32	1/2"	1/2"	H2	813	1090	480
	114X4238	OP-MPTM026DSP00G	DS26TB	G	T	3.4	II	32	1/2"	1/2"	H2	813	1090	480
	114X4239	OP-MPTM026DSP00E	DS26T3	E	T	3.4	II	32	1/2"	1/2"	H2	813	1090	480
	114X4243	OP-MPSM026CSP00G	CS26TB	G	S	3.4	I	32	1/2"	1/2"	H2	813	1090	480
	114X4244	OP-MPSM030CSP00G	CS30TB	G	S	3.4	I	32	1/2"	1/2"	H2	813	1090	480
	114X4241	OP-MPTM034DSP00G	DS34TB	G	T	3.4	II	32	1/2"	1/2"	H2	813	1090	480
	114X4242	OP-MPTM034DSP00E	DS34T3	E	T	3.4	II	32	1/2"	1/2"	H2	813	1090	480
	114X4204	OP-MPIM034MLP00E	MLZ015T4B	E	I	3.4	II	32	3/4"	1/2"	H2	813	1090	480
	114X4205	OP-MPIM034MLP00G	MLZ015T5B	G	I	3.4	II	32	3/4"	1/2"	H2	813	1090	480
	114X4218	OP-MPTM038DSP00G	DST38NA	G	I	3.4	II	32	1/2"	1/2"	H2	813	1090	480
	114X4206	OP-MPIM046MLP00E	MLZ021T4B	E	I	3.4	II	32	3/4"	1/2"	H2	813	1090	480
	114X4207	OP-MPIM046MLP00G	MLZ021T5B	G	I	3.4	II	32	3/4"	1/2"	H2	813	1090	480
	114X4208	OP-MPIM057MLP00E	MLZ026T4B	E	I	3.4	II	32	3/4"	1/2"	H2	813	1090	480
	114X4209	OP-MPIM057MLP00G	MLZ026T5B	G	I	3.4	II	32	3/4"	1/2"	H2	813	1090	480
	114X4306	OP-MPIM068MLP00E	MLZ030T4B	E	I	6.2	II	32	7/8"	5/8"	H3	965	1441	531
	114X4307	OP-MPIM068MLP00G	MLZ030T5B	G	I	6.2	II	32	7/8"	5/8"	H3	965	1441	531
	114X4309	OP-MPIM080MLP00E	MLZ038T4B	E	I	6.2	II	32	7/8"	5/8"	H3	965	1441	531
	114X4312	OP-MPIM080MLP00G	MLZ038T5B	G	I	6.2	II	32	7/8"	5/8"	H3	965	1441	531
	114X4314	OP-MPIM108MLP00E	MLZ048T4B	E	I	6.2	II	32	7/8"	5/8"	H3	965	1441	531
	114X4409	OP-MPIM125MLP00E	MLZ058T4B	E	I	2 X 5	II	32	1 1/8"	3/4"	H4	966	1835	650
	114X4410	OP-MPIM162MLP00E	MLZ076T4B	E	I	2 X 5	II	32	1 1/8"	3/4"	H4	966	1835	650

*Categoria PED per fluidi del gruppo 1

Instruções

Anexo - A

Dados técnicos (Português)

Placa de identificação

A	OP-MPXM068MLP00E		
B	114X4311		
C	Serial No.	064119CG1517	
D	EAN No.	XXXXXXXXXXXXXX	
E	Fluid Group	1 & 2	
F	PED Category	II	
G	Application	MBP	IP54
H	PS _{HP}	-1/32 bar	Voltage 400V~3N~50Hz
I	PS _{LP}	-1/21.5 bar	LRA 60 A
J	PT	32 bar	MCC 14 A
K	TS	-20/ 63 °C	RLA 8.3 A
L	HP Switch Pressure	31 bar	
	Year of Mfg.	2021	
	PRV Setting	34.5 bar	

Danfoss
MADE IN INDIA

118U3415

Address : Danfoss Ltd., 22 Wycombe End, HPP 1NB, GB
Telegraph Road #1, Thiruvananthapuram 695006, Kerala 56, INDIA
www.danfoss.com

* Para obter os valores exatos, consulte a placa de identificação na unidade

- | | |
|--|--|
| A: Modelo | H: Pressão Máxima Permitida (lado HP) |
| B: Número de código | I: Pressão Máxima Permitida (lado LP) |
| C: número de série e código de barras | J: Pressão de Teste |
| D: número EAN | K: Temperatura de projeto máxima permitida |
| E: Refrigerante | L: pressão definida da Válvula de descarga de pressão |
| F: Categoria PED | |
| G: Aplicação, Proteção de entrada | |

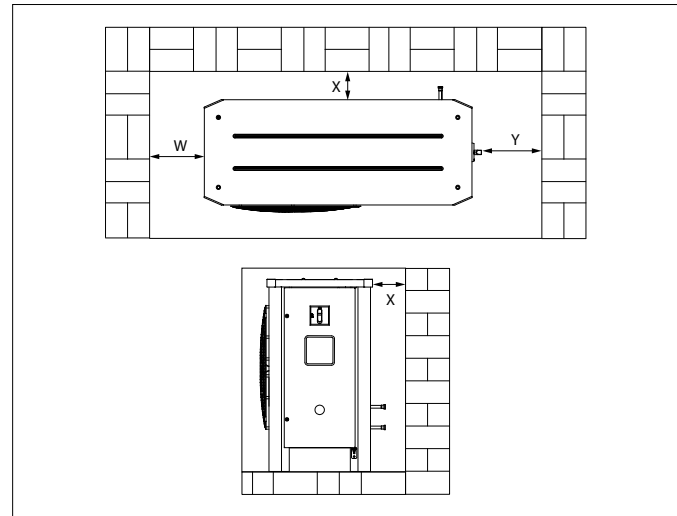


Imagem 1 : Distâncias mínimas de montagem

Unidade	L [mm]	X [mm]	Y [mm]
Caixa 1 (Código no.114X31-- ou 114X41--)	250	550	460
Caixa 2 (Código no. 114X32-- ou 114X42--)	250	650	530
Caixa 3 (Código no. 114x33-- ou 114x43--)	250	760	580
Caixa 4 (Código no. 114X34-- ou 114X44--)	250	700	700

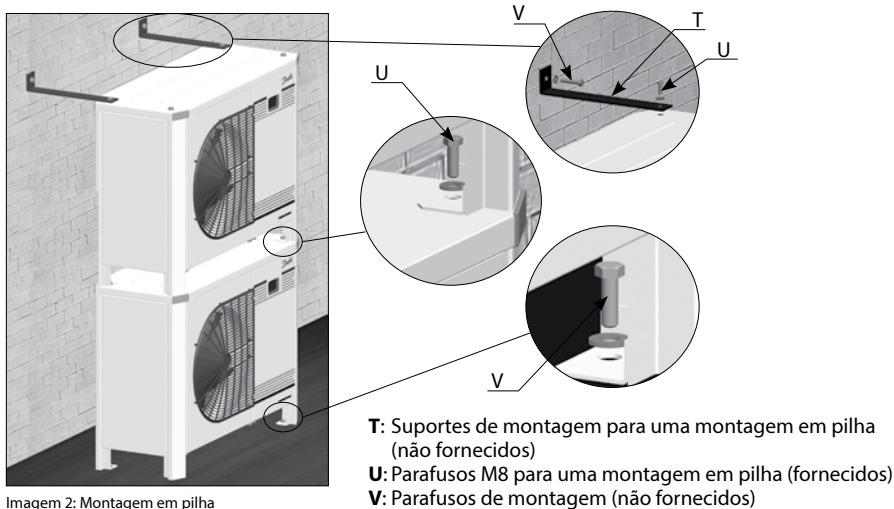


Imagem 2: Montagem em pilha

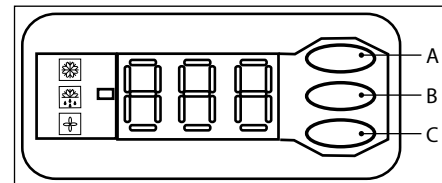


Imagem 3: Visor do controlador eletrônico

- A:** Botão Cima / Menu
B: Selecionar / Confirmar
C: Botão Para baixo

- Compressor em funcionamento
- Resistência do cárter ligada
- Ventilador em funcionamento
- Temperatura à pressão de aspiração. Prima o botão inferior para consultar a temperatura à pressão de condensação



Imagem 4: Cablagem normal

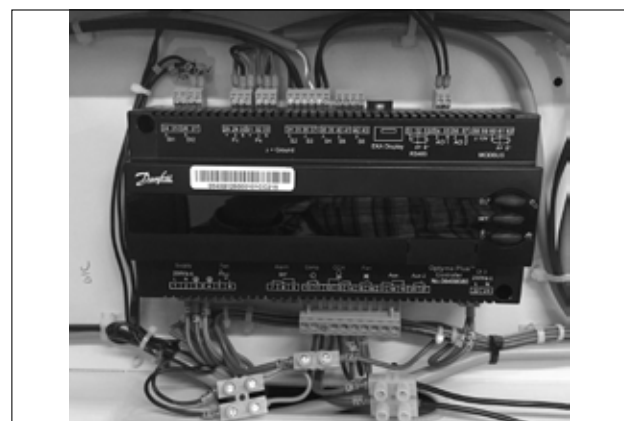


Imagem 5: Cablagem temporária

Instruções

Sistema de designação para a gama Optyma™ Plus

OP - MPIM 034 ML P00 G

1 2 3 4 5 6 7 8

1 Aplicação M = MBP L = LBP
2 Embalagem Família de unidades de condensação: P = Plus
3 Refrigerante T = R404A/R507, R455A, R454C, R448A/R449A, R452A S = R134a, R513A, R1234yf V = R454C, R455A, R452A, R404A/R507 I = R404A / R507, R134a, R407A, R407F, R448A, R513A, R449A, R452A, R454C, R455A K = R448A, R449A, R404A, R452A, R455A, R454C
4 Condensador M = Condensador de calor por microcanais
5 Volume de expulsão Deslocamento em cm ³ : Exemplo 034 = 34 cm ³
6 Plataforma do compressor DP/DX/DS = Compressor recíproco de velocidade fixa ML/LL = Compressores Scroll de velocidade fixa
7 Versão P00: Optyma™ Plus (consulte a tabela de versões) P02: Optyma™ Plus com injeção líquida (consulte a tabela de versões)
8 Código de tensão G = 230V/ventilador e compressor de 1 fase E = 400 V/compressor trifásico e 230 V/ventilador monofásico

Controlo da versão

Optyma™ Plus	(P00)	(P02)
Unidade de condensação: nível IP	IP54	IP54
Refrigerante	Grupo 1 / Grupo 2	
Tecnologia do compressor	Recíproco / Scroll	
Caixa de controlo (painel E pré-ligado)	Sim	Sim
Condensador por microcanais	Sim	Sim
Controlador da velocidade do ventilador	Sim (incorporado no controlador)	
Interruptor principal (disjuntor)	Sim	Sim
Secador de filtro (ligações de rosca)	Sim	Sim
Janela de controlo	Sim	Sim
Resistência de cárter	Sim	Sim
Pressostato regulável de AP/BP	Eletrónico	
Mini pressostato à prova de falhas	Mecânico / Painel	
Porta(s) de acesso	Sim	Sim
Isolamento acústico	Sim*	Sim
Controlador eletrónico da unidade de condensação	Sim	Sim
Conectividade de rede	Sim	Sim
Montagem em pilha	Sim	Sim
Separador de óleo	-	-
Termóstato de gás de descarga	Sim	Sim
Contacto do alarme comum SPDT (alarme PA/PB)	Sim	Sim
Kit de injeção de líquido	-	-
Design da caixa elétrica	IP54	IP54
Atraso regulável (compressor)	Sim	Sim
Válvula de descarga de pressão**	Sim	Sim

* Não vem pré-montado de fábrica

** Apenas modelos PED de categoria II (consulte a tabela de dados técnicos)

Dados técnicos

Aplicação	Códigos	Modelo da unidade de condensação	Compressor	Código elétrico	Refrigerante	Recetor (L)	Categoria PED*	PS	Válvula de Sucção	Válvula de líquidos	Compartimento	Dimensões da unidade (mm)		
								bar	Pol.	Pol.		A	L	C
LBP	114X3110	OP-LPVM016DPP00G	DPT16LA	G	V	1.3	I	32	3/8"	3/8"	H1	650	941	406
	114X3201	OP-LPVM026DSP00G	DST26NA	G	V	3.4	II	32	1/2"	1/2"	H2	813	1090	480
	114X3202	OP-LPVM034DSP00G	DST34LA	G	V	3.4	II	32	1/2"	1/2"	H2	813	1090	480
	114X3204	OP-LPVM048NTP00G	NTZ048-5	G	V	3.4	II	32	5/8"	3/8"	H2	813	1090	480
	114X3205	OP-LPVM048NTP00E	NTZ048-4	E	V	3.4	II	32	5/8"	3/8"	H2	813	1090	480
	114X3207	OP-LPVM068NTP00E	NTZ068-4	E	V	3.4	II	32	5/8"	3/8"	H2	813	1090	480
	114X3304	OP-LPKM067LLP02E	LLZ013T4B	E	K	6.2	II	32	3/4"	1/2"	H3	965	1441	531
	114X3305	OP-LPKM084LLP02E	LLZ015T4B	E	K	6.2	II	32	3/4"	1/2"	H3	965	1441	531
	114X3306	OP-LPKM098LLP02E	LLZ018T4B	E	K	6.2	II	32	3/4"	1/2"	H3	965	1441	531
	114X3405	OP-LPKM120LLP02E	LLZ024T4B	E	K	2 X 5	II	32	1 1/8"	3/4"	H4	966	1835	650
	114X3406	OP-LPKM168LLP02E	LLZ034T4B	E	K	2 X 5	II	32	1 1/8"	3/4"	H4	966	1835	650
	114X4107	OP-MPTM008DYP00G	DLY80Rab	G	T	1.3	I	32	3/8"	3/8"	H1	650	941	406
114X4111	OP-MPTM009DYP00G	DLY90Rab	G	T	1.3	I	32	3/8"	3/8"	H1	650	941	406	
114X4113	OP-MPTM012DPP00G	DPT12RA	G	T	1.3	I	32	3/8"	3/8"	H1	650	941	406	
114X4114	OP-MPTM014DPP00G	DPT14RA	G	T	1.3	I	32	3/8"	3/8"	H1	650	941	406	
114X4115	OP-MPTM018DXP00G	DX18Tba	G	T	1.3	I	32	3/8"	3/8"	H1	650	941	406	
114X4217	OP-MPTM021DXP00G	DX21Tba	G	T	3.4	II	32	1/2"	1/2"	H2	813	1090	480	
114X4237	OP-MPTM022DSP00G	DS22TB	G	T	3.4	II	32	1/2"	1/2"	H2	813	1090	480	
114X4238	OP-MPTM026DSP00G	DS26TB	G	T	3.4	II	32	1/2"	1/2"	H2	813	1090	480	
114X4239	OP-MPTM026DSP00E	DS26T3	E	T	3.4	II	32	1/2"	1/2"	H2	813	1090	480	
114X4243	OP-MPSM026CSP00G	CS26TB	G	S	3.4	I	32	1/2"	1/2"	H2	813	1090	480	
114X4244	OP-MPSM030CSP00G	CS30TB	G	S	3.4	I	32	1/2"	1/2"	H2	813	1090	480	
114X4241	OP-MPTM034DSP00G	DS34TB	G	T	3.4	II	32	1/2"	1/2"	H2	813	1090	480	
114X4242	OP-MPTM034DSP00E	DS34T3	E	T	3.4	II	32	1/2"	1/2"	H2	813	1090	480	
114X4204	OP-MPIM034MLP00E	MLZ015T4B	E	I	3.4	II	32	3/4"	1/2"	H2	813	1090	480	
114X4205	OP-MPIM034MLP00G	MLZ015T5B	G	I	3.4	II	32	3/4"	1/2"	H2	813	1090	480	
114X4218	OP-MPTM038DSP00G	DST38NA	G	I	3.4	II	32	1/2"	1/2"	H2	813	1090	480	
114X4206	OP-MPIM046MLP00E	MLZ021T4B	E	I	3.4	II	32	3/4"	1/2"	H2	813	1090	480	
114X4207	OP-MPIM046MLP00G	MLZ021T5B	G	I	3.4	II	32	3/4"	1/2"	H2	813	1090	480	
114X4208	OP-MPIM057MLP00E	MLZ026T4B	E	I	3.4	II	32	3/4"	1/2"	H2	813	1090	480	
114X4209	OP-MPIM057MLP00G	MLZ026T5B	G	I	3.4	II	32	3/4"	1/2"	H2	813	1090	480	
114X4306	OP-MPIM068MLP00E	MLZ030T4B	E	I	6.2	II	32	7/8"	5/8"	H3	965	1441	531	
114X4307	OP-MPIM068MLP00G	MLZ030T5B	G	I	6.2	II	32	7/8"	5/8"	H3	965	1441	531	
114X4309	OP-MPIM080MLP00E	MLZ038T4B	E	I	6.2	II	32	7/8"	5/8"	H3	965	1441	531	
114X4312	OP-MPIM080MLP00G	MLZ038T5B	G	I	6.2	II	32	7/8"	5/8"	H3	965	1441	531	
114X4314	OP-MPIM108MLP00E	MLZ048T4B	E	I	6.2	II	32	7/8"	5/8"	H3	965	1441	531	
114X4409	OP-MPIM125MLP00E	MLZ058T4B	E	I	2 X 5	II	32	1 1/8"	3/4"	H4	966	1835	650	
114X4410	OP-MPIM162MLP00E	MLZ076T4B	E	I	2 X 5	II	32	1 1/8"	3/4"	H4	966	1835	650	

*Categoria PED para fluido do Grupo 1

Instruktioner

Bilaga – A

Teknisk data (Svenska)

Typskylt

A	OP-MPXM068MLP00E		
B	114X4311		
C	Serial No.	064119CG1517	MADE IN INDIA
D	EAN No.	XXXXXXXXXXXX	
E	Fluid Group	1 & 2	
F	PED Category	II	
G	Application	MBP IP54	
H	PS _{HP}	-1/32 bar	Voltage 400V~3N~50Hz
I	PS _{LP}	-1/21.5 bar	LRA 60 A
J	PT	32 bar	MCC 14 A
K	TS	-20/ 63 °C	RLA 8.3 A
L	HP Switch Pressure	31 bar	
	Year of Mfg.	2021	
	PRV Setting	34.5 bar	

Address: Danfoss Ltd., 22 Wycombe End, HPP 118B, GB
 Danfoss A/S, 6430 Nordborg, Denmark

* För exakta värden, se typskylten i enheten

- | | |
|---|---|
| A: Model | H: Maximalt tillåtet tryck (HP-sidan) |
| B: Kodnummer | I: Maximalt tillåtet tryck (LP-sida) |
| C: Serienummer och streckkod | J: Testtryck |
| D: EAN-nummer | K: Högsta tillåtna konstruktionstemperatur |
| E: Köldmedium | L: Överströmningsventil, inställt tryck |
| F: PED-kategori | |
| G: Application, Ingress Protection | |

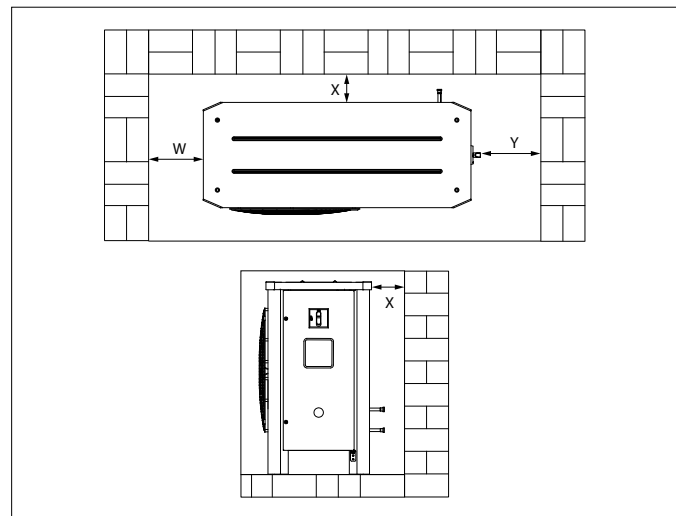


Bild 1: Minsta monteringsavstånd

Enhet	B [mm]	X [mm]	Y [mm]
Hölje 1 (Kodnr 114X31-- eller 114X41--)	250	550	460
Hölje 2 (Kodnr 114X32-- eller 114X42--)	250	650	530
Hölje 3 (Kodnr 114x33-- eller 114x43--)	250	760	580
Hölje 4 (Kodnr 114X34-- eller 114X44--)	250	700	700

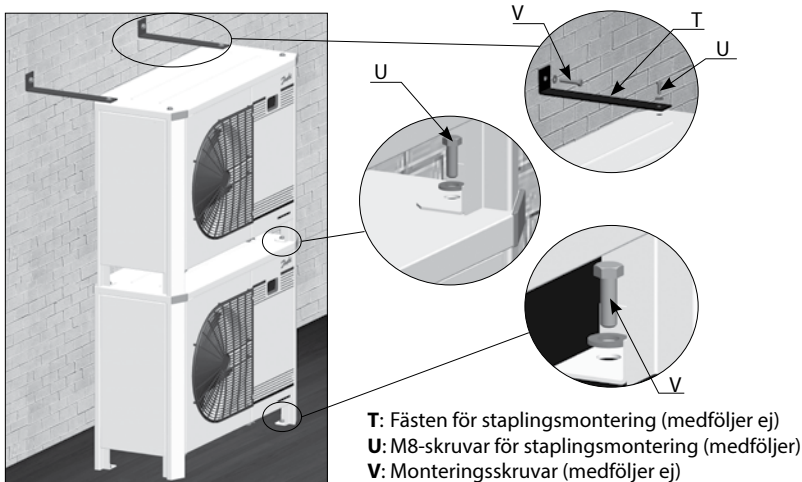


Bild 2: Staplingsmontering

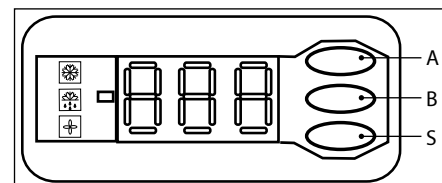


Bild 3: Elektronisk styrenhetsdisplay

- A:** Upp-/menyknapp
B: Välj / Bekräfta
C: Ned-knapp

- Kompressor igång
 Vevhusvärmare på
 Fläkt igång

Temperaturvärde för sugtryck. Tryck på den nedre knappen för att växla till temperaturvärdet för kondenseringstryck



Bild 4: Normal kabeldragning

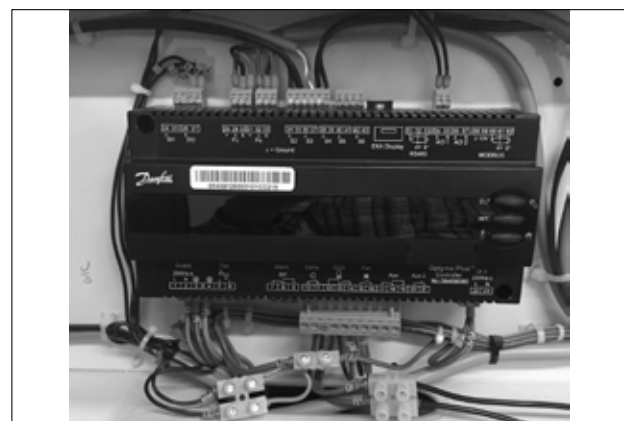


Bild 5: Tillfälliga anslutningar

Instruktioner

Beteckningssystem för Optyma™ Plus-serien

OP - MPIM 034 ML P00 G

1 2 3 4 5 6 7 8

1 Tillämpning M = MBP L = LBP
2 Paket Serie: P = Plus
3 Köldmedium T = R404A/R507,R455A,R454C,R448A/R449A,R452A S = R134a, R513A, R1234yf V = R454C, R455A, R452A, R404A/R507 I = R404A / R507, R134a, R407A, R407F, R448A, R513A, R449A, R452A, R454C, R455A K = R448A, R449A, R404A, R452A, R455A, R454C
4 Kondensator M = Värmecondensator med mikrokanaler
5 Slagvolym Slagvolym i cm ³ : Exempel 034 = 34 cm ³
6 Kompressorplattform DP/DX/DS = Kolvkompressor med fast varvtal ML/LL = scrollkompressor med fast varvtal
7 Version P00: Optyma™ Plus (se versionstabell) P02: Optyma™ Plus med vätskeinsprutning (se versionstabell)
8 Motorspänningskod G = 230 V/1-fas kompressor och fläkt E = 400 V/trefaskompressor och 230 V/efasfläkt

Versionsstyrning

Optyma™ Plus	(P00)	(P02)
Luftkylda aggregat: IP-nivå	IP54	IP54
Köldmedium	Grupp 1 / Grupp 2	
Kompressorteknik	Kolv / Scroll	
Regleringsbox (förkopplad E-panel)	Ja	Ja
Mikrokanalkondensator	Ja	Ja
Fläkthastighetsregulator	Ja (inbyggd styrenhet)	
Huvudbrytare (kretsbrytare)	Ja	Ja
Torkfilter (flareanslutningar)	Ja	Ja
Synglas	Ja	Ja
Vevhusvärmare	Ja	Ja
Justerbar pressostat HP/LP	Elektronisk	
Felsäker minipressostat	Mekanisk/panel	
Dörr(ar)	Ja	Ja
Akustisk isolering	Ja*	Ja*
Elektronisk regulator för luftkylt aggregat	Ja	Ja
Nätverksanslutning	Ja	Ja
Stapelmontering	Ja	Ja
Oljeavskiljare	-	-
Hetgastermostat	Ja	Ja
Gemensam larmkontakt SPDT (HP/LP-larm)	Ja	Ja
Vätskeinsprutningssats	-	-
Elskäpsutformning	IP54	IP54
Justerbar tidsfördröjning (kompressor)	Ja	Ja
Överströmningsventil**	Ja	Ja

*Ej fabriksmonterad

**Endast modeller i PED-kategori II (se tabellen med tekniska data)

Tekniska data

Tillämpning	Koder	Luftkyld aggregatmodell	Kompressor	Elektrisk kod	Köldmedium	Köldmedie-behållare (L)	PED-kategori*	PS bar	Sugventil Tum	Vätskeventil Tum	hölje	Enhetens mått (mm)		
												H	B	L
LBP	114X3110	OP-LPVM016DPP00G	DPT16LA	G	V	1.3	I	32	3/8"	3/8"	H1	650	941	406
	114X3201	OP-LPVM026DSP00G	DST26NA	G	V	3.4	II	32	1/2"	1/2"	H2	813	1090	480
	114X3202	OP-LPVM034DSP00G	DST34LA	G	V	3.4	II	32	1/2"	1/2"	H2	813	1090	480
	114X3204	OP-LPVM048NTP00G	NTZ048-5	G	V	3.4	II	32	5/8"	3/8"	H2	813	1090	480
	114X3205	OP-LPVM048NTP00E	NTZ048-4	E	V	3.4	II	32	5/8"	3/8"	H2	813	1090	480
	114X3207	OP-LPVM068NTP00E	NTZ068-4	E	V	3.4	II	32	5/8"	3/8"	H2	813	1090	480
	114X3304	OP-LPKM067LLP02E	LLZ013T4B	E	K	6.2	II	32	3/4"	1/2"	H3	965	1441	531
	114X3305	OP-LPKM084LLP02E	LLZ015T4B	E	K	6.2	II	32	3/4"	1/2"	H3	965	1441	531
	114X3306	OP-LPKM098LLP02E	LLZ018T4B	E	K	6.2	II	32	3/4"	1/2"	H3	965	1441	531
	114X3405	OP-LPKM120LLP02E	LLZ024T4B	E	K	2 X 5	II	32	1 1/8"	3/4"	H4	966	1835	650
114X3406	OP-LPKM168LLP02E	LLZ034T4B	E	K	2 X 5	II	32	1 1/8"	3/4"	H4	966	1835	650	
MBP	114X4107	OP-MPTM008DYP00G	DLY80RAB	G	T	1.3	I	32	3/8"	3/8"	H1	650	941	406
	114X4111	OP-MPTM009DYP00G	DLY90RAB	G	T	1.3	I	32	3/8"	3/8"	H1	650	941	406
	114X4113	OP-MPTM012DPP00G	DPT12RA	G	T	1.3	I	32	3/8"	3/8"	H1	650	941	406
	114X4114	OP-MPTM014DPP00G	DPT14RA	G	T	1.3	I	32	3/8"	3/8"	H1	650	941	406
	114X4115	OP-MPTM018DXP00G	DX18Tba	G	T	1.3	I	32	3/8"	3/8"	H1	650	941	406
	114X4217	OP-MPTM021DXP00G	DX21Tba	G	T	3.4	II	32	1/2"	1/2"	H2	813	1090	480
	114X4237	OP-MPTM022DSP00G	DS22TB	G	T	3.4	II	32	1/2"	1/2"	H2	813	1090	480
	114X4238	OP-MPTM026DSP00G	DS26TB	G	T	3.4	II	32	1/2"	1/2"	H2	813	1090	480
	114X4239	OP-MPTM026DSP00E	DS26T3	E	T	3.4	II	32	1/2"	1/2"	H2	813	1090	480
	114X4243	OP-MPSM026CSP00G	CS26TB	G	S	3.4	I	32	1/2"	1/2"	H2	813	1090	480
	114X4244	OP-MPSM030CSP00G	CS30TB	G	S	3.4	I	32	1/2"	1/2"	H2	813	1090	480
	114X4241	OP-MPTM034DSP00G	DS34TB	G	T	3.4	II	32	1/2"	1/2"	H2	813	1090	480
	114X4242	OP-MPTM034DSP00E	DS34T3	E	T	3.4	II	32	1/2"	1/2"	H2	813	1090	480
	114X4204	OP-MPIM034MLP00E	MLZ015T4B	E	I	3.4	II	32	3/4"	1/2"	H2	813	1090	480
	114X4205	OP-MPIM034MLP00G	MLZ015T5B	G	I	3.4	II	32	3/4"	1/2"	H2	813	1090	480
	114X4218	OP-MPTM038DSP00G	DST38NA	G	I	3.4	II	32	1/2"	1/2"	H2	813	1090	480
	114X4206	OP-MPIM046MLP00E	MLZ021T4B	E	I	3.4	II	32	3/4"	1/2"	H2	813	1090	480
	114X4207	OP-MPIM046MLP00G	MLZ021T5B	G	I	3.4	II	32	3/4"	1/2"	H2	813	1090	480
	114X4208	OP-MPIM057MLP00E	MLZ026T4B	E	I	3.4	II	32	3/4"	1/2"	H2	813	1090	480
	114X4209	OP-MPIM057MLP00G	MLZ026T5B	G	I	3.4	II	32	3/4"	1/2"	H2	813	1090	480
	114X4306	OP-MPIM068MLP00E	MLZ030T4B	E	I	6.2	II	32	7/8"	5/8"	H3	965	1441	531
	114X4307	OP-MPIM068MLP00G	MLZ030T5B	G	I	6.2	II	32	7/8"	5/8"	H3	965	1441	531
	114X4309	OP-MPIM080MLP00E	MLZ038T4B	E	I	6.2	II	32	7/8"	5/8"	H3	965	1441	531
	114X4312	OP-MPIM080MLP00G	MLZ038T5B	G	I	6.2	II	32	7/8"	5/8"	H3	965	1441	531
	114X4314	OP-MPIM108MLP00E	MLZ048T4B	E	I	6.2	II	32	7/8"	5/8"	H3	965	1441	531
	114X4409	OP-MPIM125MLP00E	MLZ058T4B	E	I	2 X 5	II	32	1 1/8"	3/4"	H4	966	1835	650
	114X4410	OP-MPIM162MLP00E	MLZ076T4B	E	I	2 X 5	II	32	1 1/8"	3/4"	H4	966	1835	650

*PED-kategori för grupp 1 – vätska

Instrukcje

Załącznik A

Dane techniczne (Polski)

Tabliczka znamionowa

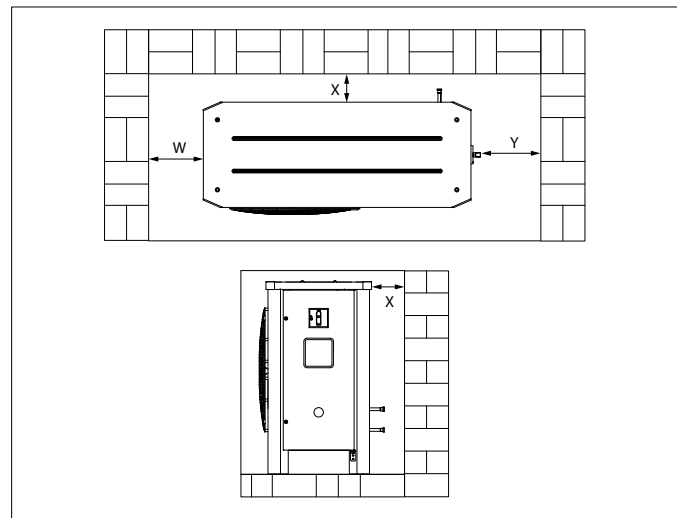
A	OP-MPXM068MLP00E		
B	114X4311		
C	Serial No.	064119CG1517	
D	EAN No.	XXXXXXXXXXXXXX	
E	Fluid Group	1 & 2	
F	PED Category	II	
G	Application	MBP IP54	
H	PS _{HP}	-1/32 bar	Voltage 400V~3N~50Hz
I	PS _{LP}	-1/21.5 bar	LRA 60 A
J	PT	32 bar	MCC 14 A
K	TS	-20/ 63 °C	RLA 8.3 A
	HP Switch Pressure	31 bar	
	Year of Mfg.	2021	
L	PRV Setting	34.5 bar	

MADE IN INDIA

A2L Refrigerant

Address: Danfoss Ltd., 22 Wycliffe End, HPI 1NR, GB
 Import: TOB s.p. z o.o. "Danfoss", TOB 04086, Kula 80, nr. 168, Ypólnia

Danfoss A/S, 6430 Nordborg, Denmark

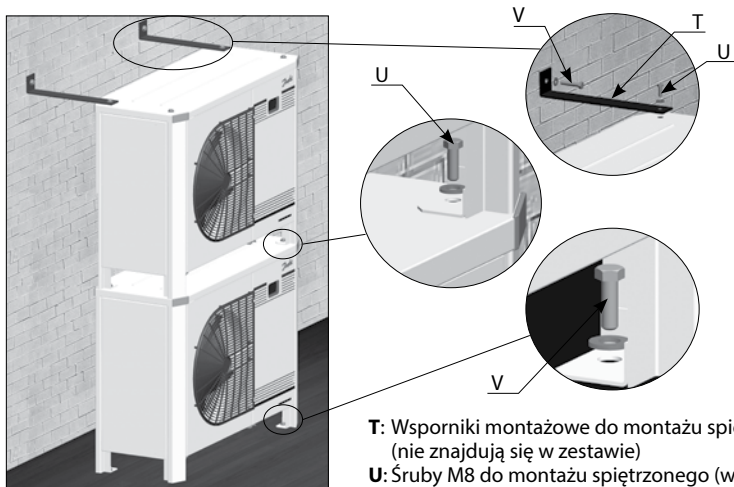


Rysunek 1: Minimalne odległości montażowe

Agregat	W [mm]	X [mm]	Y [mm]
Obudowa 1 (nr kat. 114X31-- lub 114X41--)	250	550	460
Obudowa 2 (nr kat. 114X32-- lub 114X42--)	250	650	530
Obudowa 3 (nr kat. 114x33-- lub 114x43--)	250	760	580
Obudowa 4 (nr kat. 114X34-- lub 114X44--)	250	700	700

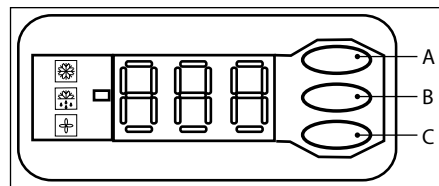
* Dokładne wartości znajdują się na tabliczce znamionowej agregatu

- A:** Model
- B:** Numer katalogowy
- C:** Numer seryjny i kod kreskowy
- D:** Numer EAN
- E:** Czynnik chłodniczy
- F:** Kategoria PED
- G:** Zastosowanie, Stopień ochrony
- H:** Maksymalne dopuszczalne ciśnienie (strona HP)
- I:** Maksymalne dopuszczalne ciśnienie (strona LP)
- J:** Ciśnienie próbne
- K:** Maksymalna dopuszczalna temperatura projektowa
- L:** Nastawa zaworu bezpieczeństwa PRV



Rysunek 2: Montaż spiętrzony

- T:** Wsporniki montażowe do montażu spiętrzonego (nie znajdują się w zestawie)
- U:** Śruby M8 do montażu spiętrzonego (w zestawie)
- V:** Śruby mocujące (nie znajdują się w zestawie)

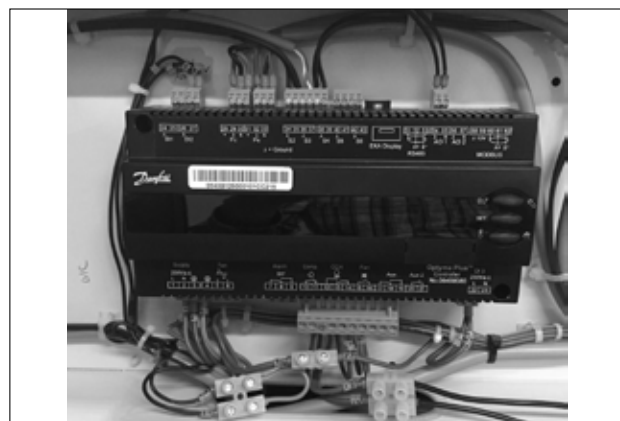


Rysunek 3: Wyświetlacz sterownika elektronicznego

- A:** Przycisk góra/menu
- B:** Wybór / Potwierdź
- C:** Przycisk dół
- Sprężarka pracuje
- Grzałka karteru włączona
- Wentylator pracuje
- Wartość temperatury dla ciśnienia ssania. Nacisnąć dolny przycisk, aby przełączyć na wartość temperatury dla ciśnienia skraplania



Rysunek 4: Normalne okablowanie



Rysunek 5: Okablowanie tymczasowe

Instrukcje

System oznaczania dla produktów z serii Optyma™ Plus

OP - MPIM 034 ML P00 G

1 2 3 4 5 6 7 8

1 Zastosowanie M = MBP L = LBP
2 Obudowa Rodzina agregatów skraplających: P = Plus
3 Czynniki chłodnicze T = R404A/R507, R455A, R454C, R448A/R449A, R452A S = R134a, R513A, R1234yf V = R454C, R455A, R452A, R404A/R507 I = R404A / R507, R134a, R407A, R407F, R448A, R513A, R449A, R452A, R454C, R455A K = R448A, R449A, R404A, R452A, R455A, R454C
4 Skraplacz M = Skraplacz mikrokanałowy
5 Pojemność skokowa Pojemność skokowa w cm ³ : Przykład 034 = 34 cm ³
6 Typ sprężarki DP/DX/DS = sprężarka tłokowa o stałej prędkości ML/LL = Sprężarki spiralne o stałej prędkości
7 Wersja P00: Optyma™ Plus (zob. tabela wersji) P02: Optyma™ Plus z wtryskiem cieczy (zob. tabela wersji)
8 Kod napięcia G = Sprężarka i wentylator 230 V/1-faza E = Sprężarka 400 V/3-fazy, wentylator 230 V/1-faza

Dane o wersji

Optyma™ Plus	(P00)	(P00)
Stopień ochrony agregatu skraplającego	IP54	IP54
Czynnik chłodniczy	Grupa 1 / Grupa 2	
Technologia sprężarki	Tłokowa / Spiralna	
Skrzynka sterownicza (z gotowym do podłączenia panelem elektrycznym)	Tak	Tak
Skraplacz mikrokanałowy	Tak	Tak
Regulator prędkości obrotowej wentylatora	Tak (wbudowany w sterownik)	
Wyłącznik główny (bezpiecznik)	Tak	Tak
Filtr odwadniacz (przyląca śrubunkowe)	Tak	Tak
Wziernik	Tak	Tak
Grzałka karteru	Tak	Tak
Preostat regulowany HP/LP	Elektroniczny	
Preostat miniaturowy	Mechaniczny/panelowy	
Drzwiczki dostępne	Tak	Tak
Izolacja dźwiękochłonna	Tak*	Tak*
Sterownik elektroniczny agregatu skraplającego	Tak	Tak
Transmisja danych	Tak	Tak
Montaż spiętrzony	Tak	Tak
Odolejacz	-	-
Termostat tłoczonego gazu	Tak	Tak
Wspólny styk alarmowy SPDT (alarm HP/LP)	Tak	Tak
Zestaw wtrysku cieczy	-	-
Konstrukcja skrzynki elektrycznej	IP54	IP54
Regulowane opóźnienie czasowe (sprężarka)	Tak	Tak
Pressure Relief Valve**	Tak	Tak

* Niezamontowane fabrycznie

** Tylko modele II kategorii PED (patrz tabela danych technicznych)

Dane techniczne

Zastosowanie	Kod	Model agregatu skraplającego	Sprężarka	Kod zasilania	Czynnik chłodniczy	Zbiornik cieczy (L)	Kategoria PED*	PS	Zawór ssawny	Zawór na linii cieczowej	obudowa	Wymiary agregatu (mm)		
												bar	cal	cal
LBP	114X3110	OP-LPVM016DPP00G	DPT16LA	G	V	1.3	I	32	3/8"	3/8"	H1	650	941	406
	114X3201	OP-LPVM026DSP00G	DST26NA	G	V	3.4	II	32	1/2"	1/2"	H2	813	1090	480
	114X3202	OP-LPVM034DSP00G	DST34LA	G	V	3.4	II	32	1/2"	1/2"	H2	813	1090	480
	114X3204	OP-LPVM048NTP00G	NTZ048-5	G	V	3.4	II	32	5/8"	3/8"	H2	813	1090	480
	114X3205	OP-LPVM048NTP00E	NTZ048-4	E	V	3.4	II	32	5/8"	3/8"	H2	813	1090	480
	114X3207	OP-LPVM068NTP00E	NTZ068-4	E	V	3.4	II	32	5/8"	3/8"	H2	813	1090	480
	114X3304	OP-LPKM067LLP02E	LLZ013T4B	E	K	6.2	II	32	3/4"	1/2"	H3	965	1441	531
	114X3305	OP-LPKM084LLP02E	LLZ015T4B	E	K	6.2	II	32	3/4"	1/2"	H3	965	1441	531
	114X3306	OP-LPKM098LLP02E	LLZ018T4B	E	K	6.2	II	32	3/4"	1/2"	H3	965	1441	531
	114X3405	OP-LPKM120LLP02E	LLZ024T4B	E	K	2 X 5	II	32	1 1/8"	3/4"	H4	966	1835	650
	114X3406	OP-LPKM168LLP02E	LLZ034T4B	E	K	2 X 5	II	32	1 1/8"	3/4"	H4	966	1835	650
	MBP	114X4107	OP-MPTM008DYP00G	DLY80RAb	G	T	1.3	I	32	3/8"	3/8"	H1	650	941
114X4111		OP-MPTM009DYP00G	DLY90RAb	G	T	1.3	I	32	3/8"	3/8"	H1	650	941	406
114X4113		OP-MPTM012DPP00G	DPT12RA	G	T	1.3	I	32	3/8"	3/8"	H1	650	941	406
114X4114		OP-MPTM014DPP00G	DPT14RA	G	T	1.3	I	32	3/8"	3/8"	H1	650	941	406
114X4115		OP-MPTM018DXP00G	DX18Tba	G	T	1.3	I	32	3/8"	3/8"	H1	650	941	406
114X4217		OP-MPTM021DXP00G	DX21Tba	G	T	3.4	II	32	1/2"	1/2"	H2	813	1090	480
114X4237		OP-MPTM022DSP00G	DS22TB	G	T	3.4	II	32	1/2"	1/2"	H2	813	1090	480
114X4238		OP-MPTM026DSP00G	DS26TB	G	T	3.4	II	32	1/2"	1/2"	H2	813	1090	480
114X4239		OP-MPTM026DSP00E	DS26T3	E	T	3.4	II	32	1/2"	1/2"	H2	813	1090	480
114X4243		OP-MPSM026CSP00G	CS26TB	G	S	3.4	I	32	1/2"	1/2"	H2	813	1090	480
114X4244		OP-MPSM030CSP00G	CS30TB	G	S	3.4	I	32	1/2"	1/2"	H2	813	1090	480
114X4241		OP-MPTM034DSP00G	DS34TB	G	T	3.4	II	32	1/2"	1/2"	H2	813	1090	480
114X4242		OP-MPTM034DSP00E	DS34T3	E	T	3.4	II	32	1/2"	1/2"	H2	813	1090	480
114X4204		OP-MPIM034MLP00E	MLZ015T4B	E	I	3.4	II	32	3/4"	1/2"	H2	813	1090	480
114X4205		OP-MPIM034MLP00G	MLZ015T5B	G	I	3.4	II	32	3/4"	1/2"	H2	813	1090	480
114X4218		OP-MPTM038DSP00G	DST38NA	G	I	3.4	II	32	1/2"	1/2"	H2	813	1090	480
114X4206		OP-MPIM046MLP00E	MLZ021T4B	E	I	3.4	II	32	3/4"	1/2"	H2	813	1090	480
114X4207		OP-MPIM046MLP00G	MLZ021T5B	G	I	3.4	II	32	3/4"	1/2"	H2	813	1090	480
114X4208		OP-MPIM057MLP00E	MLZ026T4B	E	I	3.4	II	32	3/4"	1/2"	H2	813	1090	480
114X4209		OP-MPIM057MLP00G	MLZ026T5B	G	I	3.4	II	32	3/4"	1/2"	H2	813	1090	480
114X4306		OP-MPIM068MLP00E	MLZ030T4B	E	I	6.2	II	32	7/8"	5/8"	H3	965	1441	531
114X4307		OP-MPIM068MLP00G	MLZ030T5B	G	I	6.2	II	32	7/8"	5/8"	H3	965	1441	531
114X4309		OP-MPIM080MLP00E	MLZ038T4B	E	I	6.2	II	32	7/8"	5/8"	H3	965	1441	531
114X4312		OP-MPIM080MLP00G	MLZ038T5B	G	I	6.2	II	32	7/8"	5/8"	H3	965	1441	531
114X4314		OP-MPIM108MLP00E	MLZ048T4B	E	I	6.2	II	32	7/8"	5/8"	H3	965	1441	531
114X4409		OP-MPIM125MLP00E	MLZ058T4B	E	I	2 X 5	II	32	1 1/8"	3/4"	H4	966	1835	650
114X4410		OP-MPIM162MLP00E	MLZ076T4B	E	I	2 X 5	II	32	1 1/8"	3/4"	H4	966	1835	650

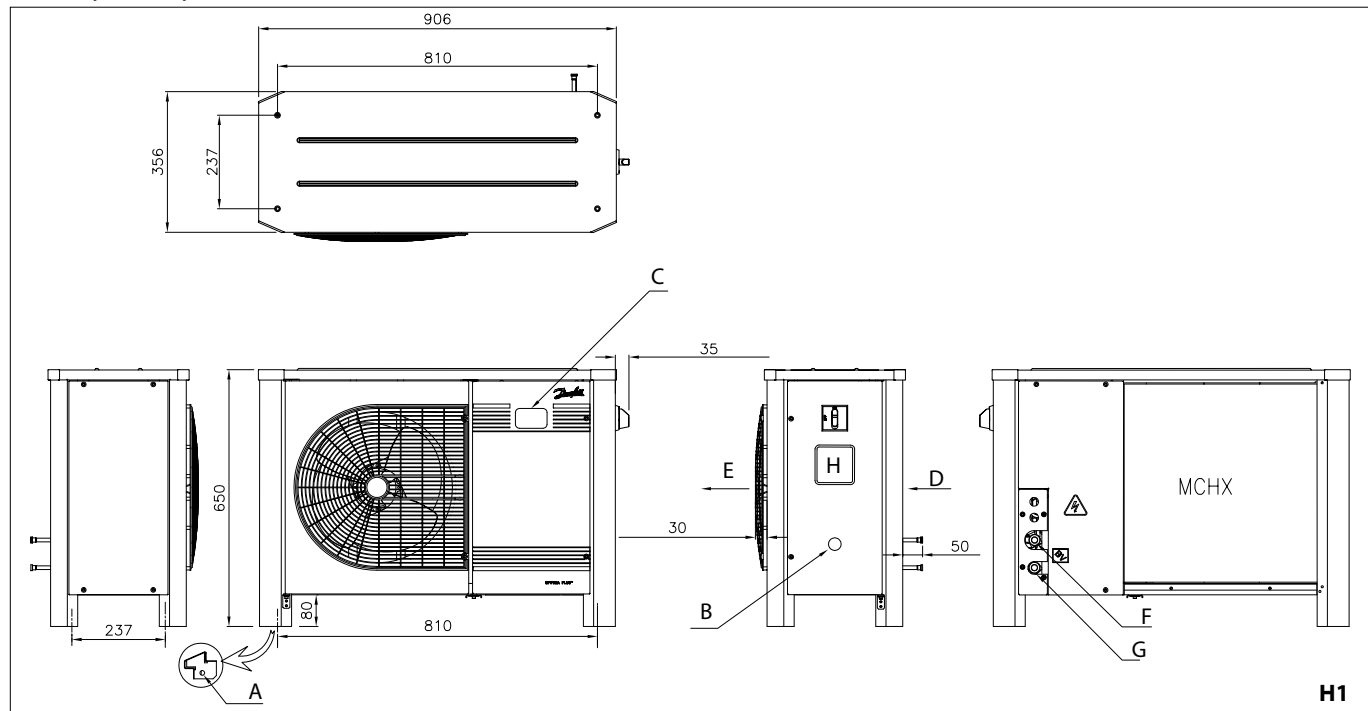
*Kategoria PED dla cieczy z grupy 1

Instructions

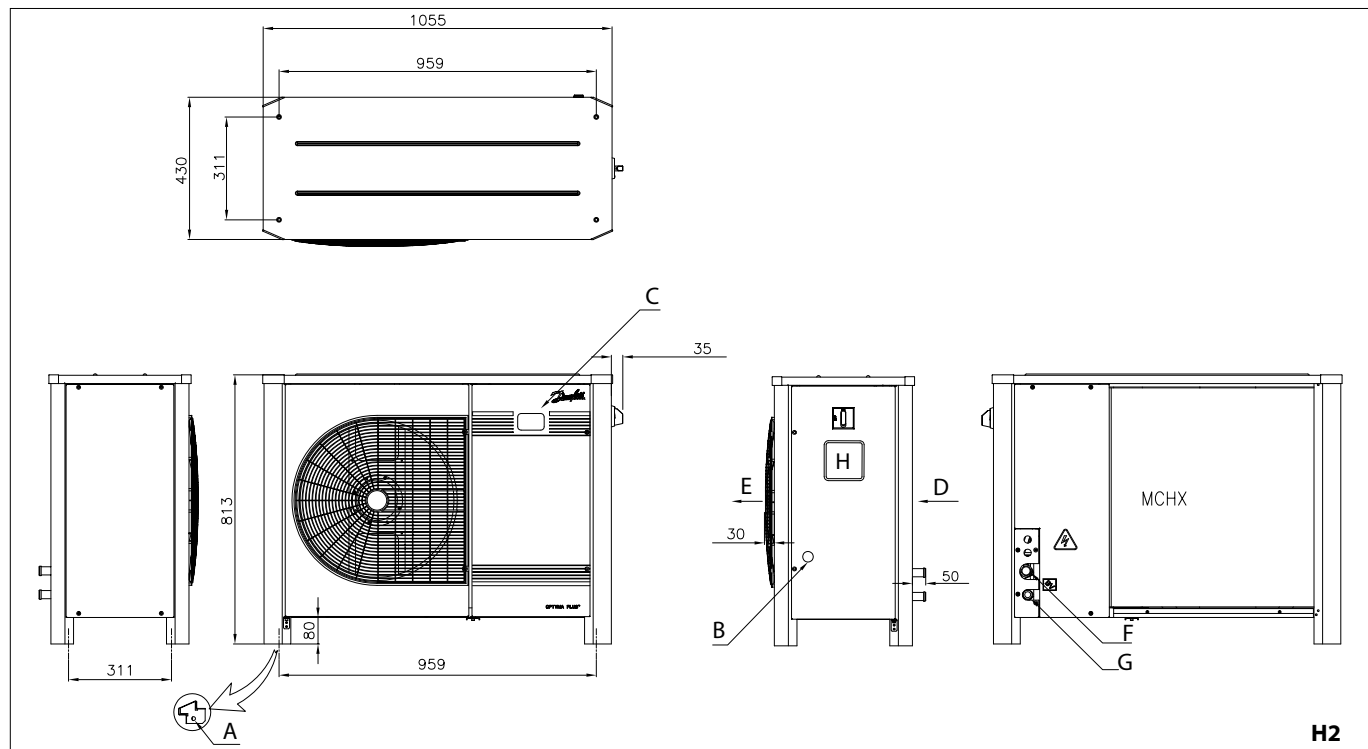
Annex - B,

GA & PID Drawings / Maßzeichnungen und RI-Fließbild / Schéma GA et PID / GA y Plano PID / Disegno GA e PID / Diagrama GA e PID / GA- och PID-ritning / schemat rozmieszczenia oraz orurowania i oprzyrządowania / Компонувочный чертеж и схема трубной обвязки

OP-MPT, OP-LPV, OP-LPK

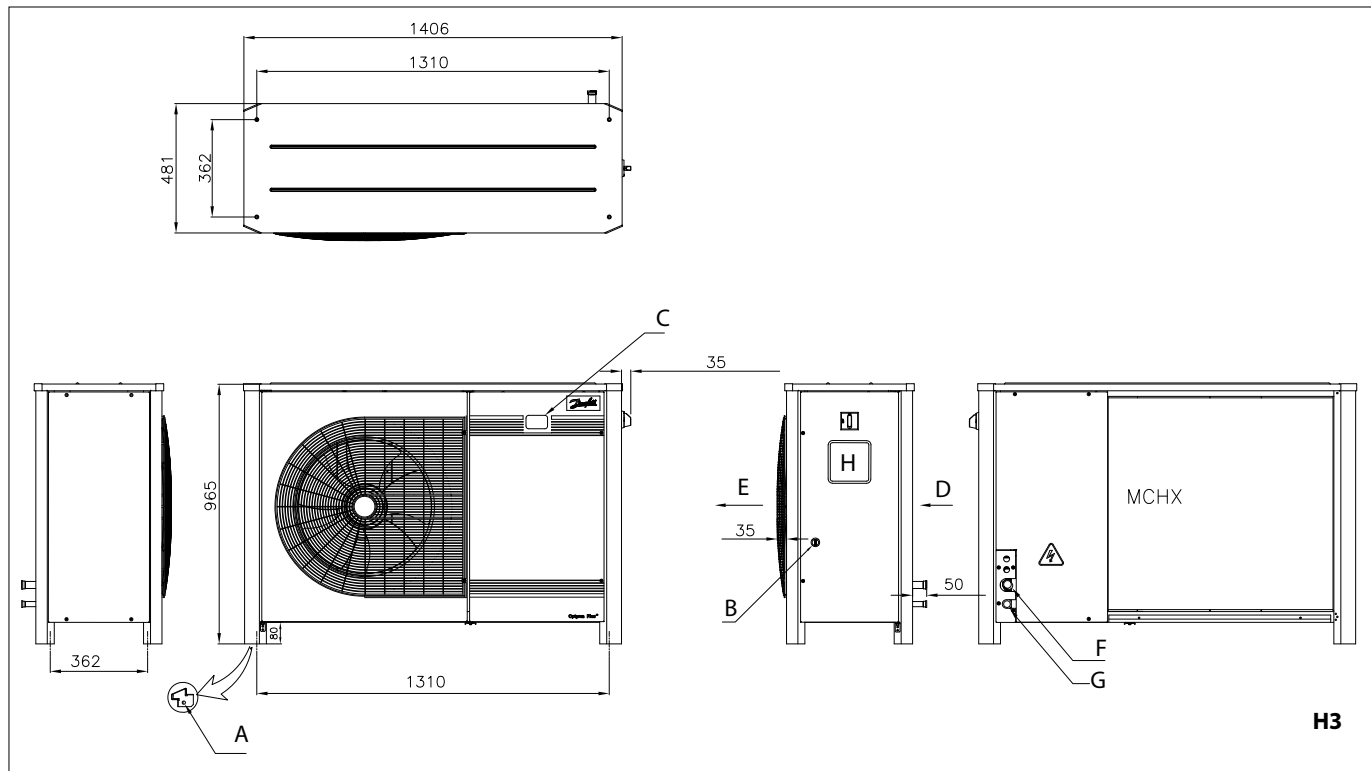


OP-MPT, OP-LPV, OP-LPK OP-MPS, OP-MPI

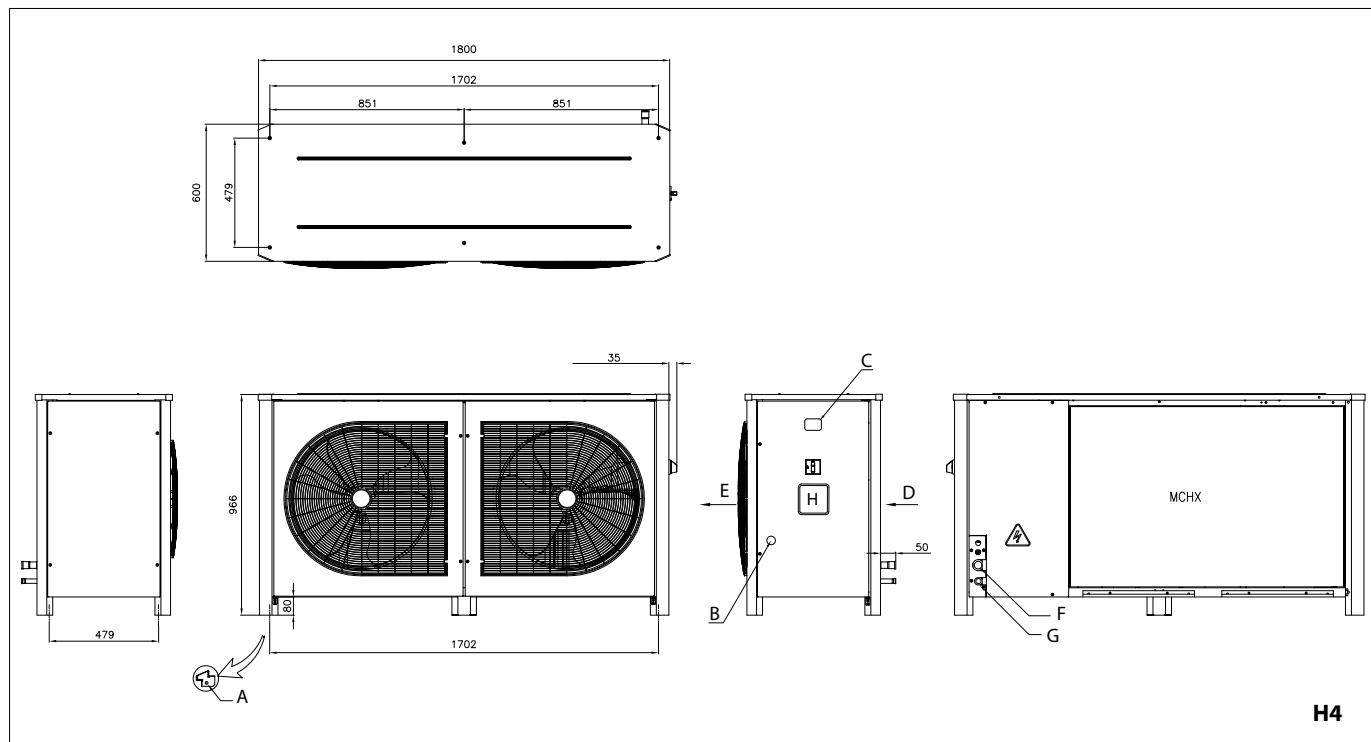


Instructions

OP-MPT, OP-LPV, OP-LPK, OP-MPS, OP-MPI, OP-LPK



OP-LPK, OP-MPI



Instructions

English Legend

- A Ø12 Hole for Mounting
- B Sight Glass
- C Controller Display

- D Air in
- E Air out
- F Suction Port
- G Liquid Port

- H Nameplate
 - Electrical Cables
- Note: all dimension are in mm

Deutsch Legende

- A Ø12 Befestigungsbohrung
- B Schauglas
- C Regler-Anzeige

- D Lufteinlass
- E Luftauslass
- F Sauganschluss
- G Flüssigkeitsanschluss

- H Typenschild
 - Elektrokabel
- Hinweis: alle Maße in mm

Français Légende

- A Trou de montage ø 12
- B Voyant
- C Affichage du régulateur

- D Entrée de l'air
- E Sortie de l'air
- F Port d'aspiration
- G Port de liquide

- H Plaque signalétique
 - Câbles électriques
- Remarque : toutes les dimensions sont exprimées en mm

Español leyenda

- A Ø12 Agujero para montaje
- B Visor
- C Display de Controlador

- D Salida Aire
- E Entrada Aire
- F Puerto Succion
- G Puerto Liquido

- H Placa de identificación
 - Cables eléctricos
- Nota: todas las dimensiones están en mm

Italiano leggenda

- A Foro di montaggio Ø12
- B Spia liquido
- C Display del regolatore

- D ingresso aria
- E Uscita aria
- F Porta di aspirazione
- G Porta liquido

- H Targhetta
 - Cavi elettrici
- Nota: tutte le dimensioni sono espresse in mm

Português Lenda

- A Orifício de Ø12 para montagem
- B Visor de líquido
- C Ecrã do controlador

- D Entrada de ar
- E Saída de ar
- F Porta de aspiração
- G Porta de líquidos

- H Placa de identificação
 - Cabos elétricos
- Nota: todas as dimensões são apresentadas em mm

Svenska Legend

- A Ø12 Monteringshål
- B Synglas
- C Regleringsdisplay

- D Luftinlopp
- E Luftutlopp
- F Sugport
- G Vätskeport

- H Typskylt
 - Elkablar
- OBS! alla mått anges i mm

Polski Legenda

- A Otwór Ø12 do montażu
- B Wziernik
- C Wyświetlacz sterownika

- D Dopływ powietrza
- E Wypływ powietrza
- F Przyłącze ssawne
- G Przyłącze cieczowe

- H Tabliczka znamionowa
 - Kable elektryczne
- Uwaga: wszystkie wymiary podano w mm

Русский Легенда

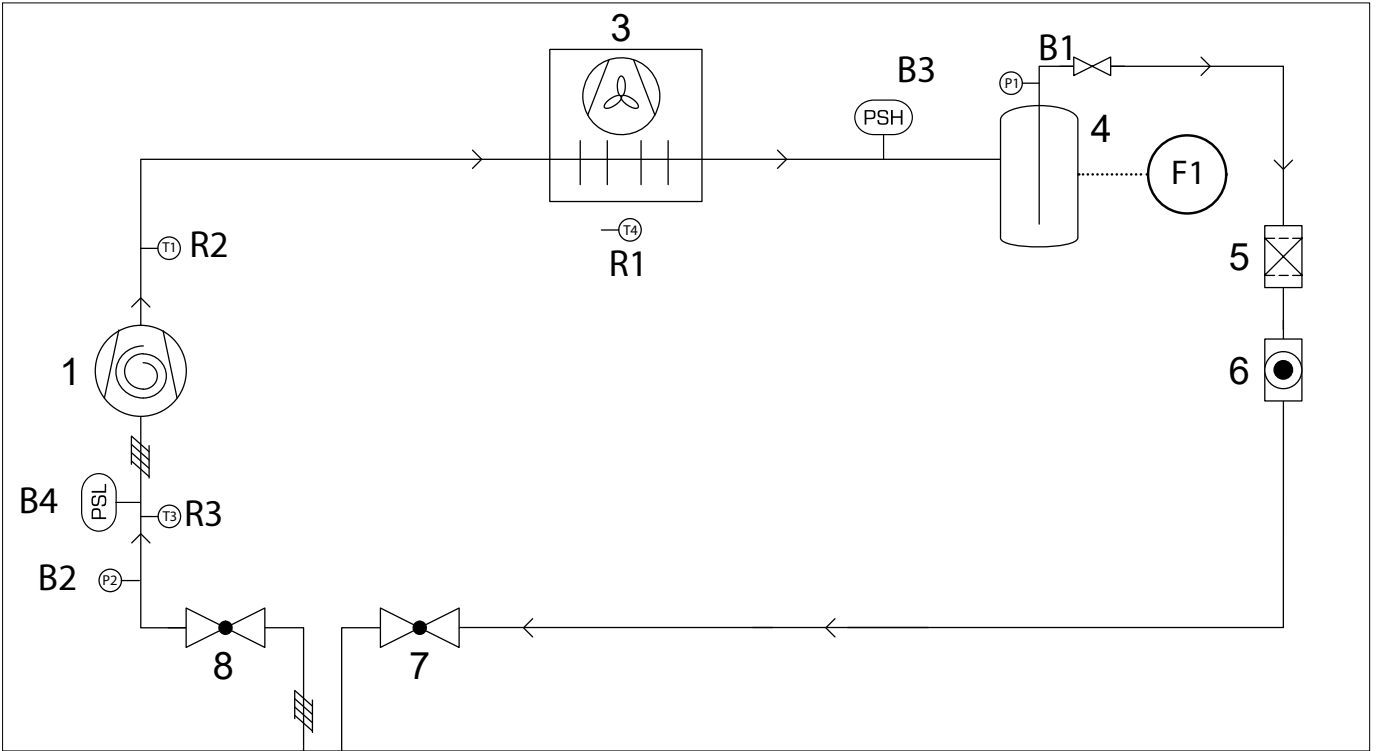
- A Монтажное отверстие Ø12
- B Смотровое стекло
- C Дисплей контроллера

- D Вход воздуха
- E Выход воздуха
- F Порт для подключения всасывающего трубопровода
- G Порт для подключения жидкостного трубопровода

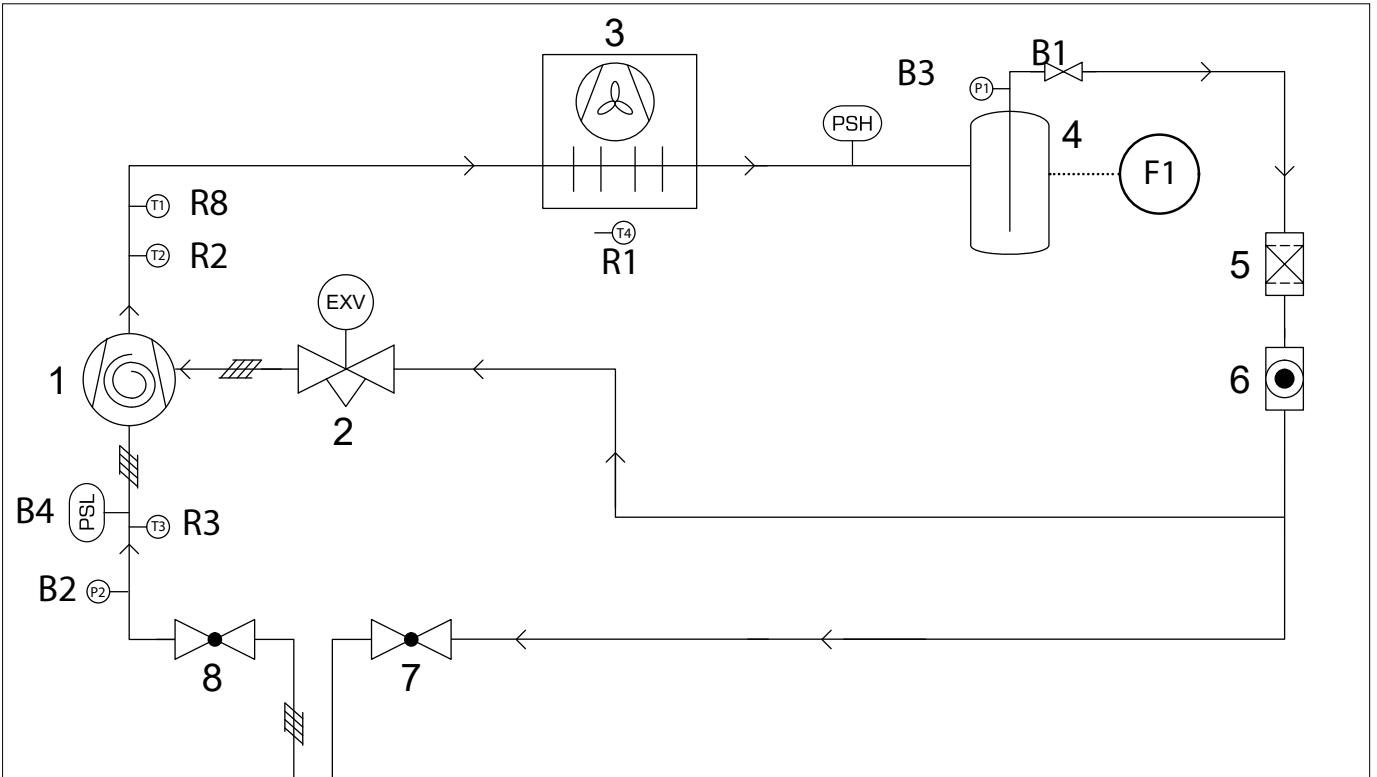
- H Заводская табличка
 - Электрические кабели
- Примечание. Все размеры приведены в мм

Instructions

P00 Models: OP-MPT, OP-LPV, OP-LPK OP-MPS, OP-MPI

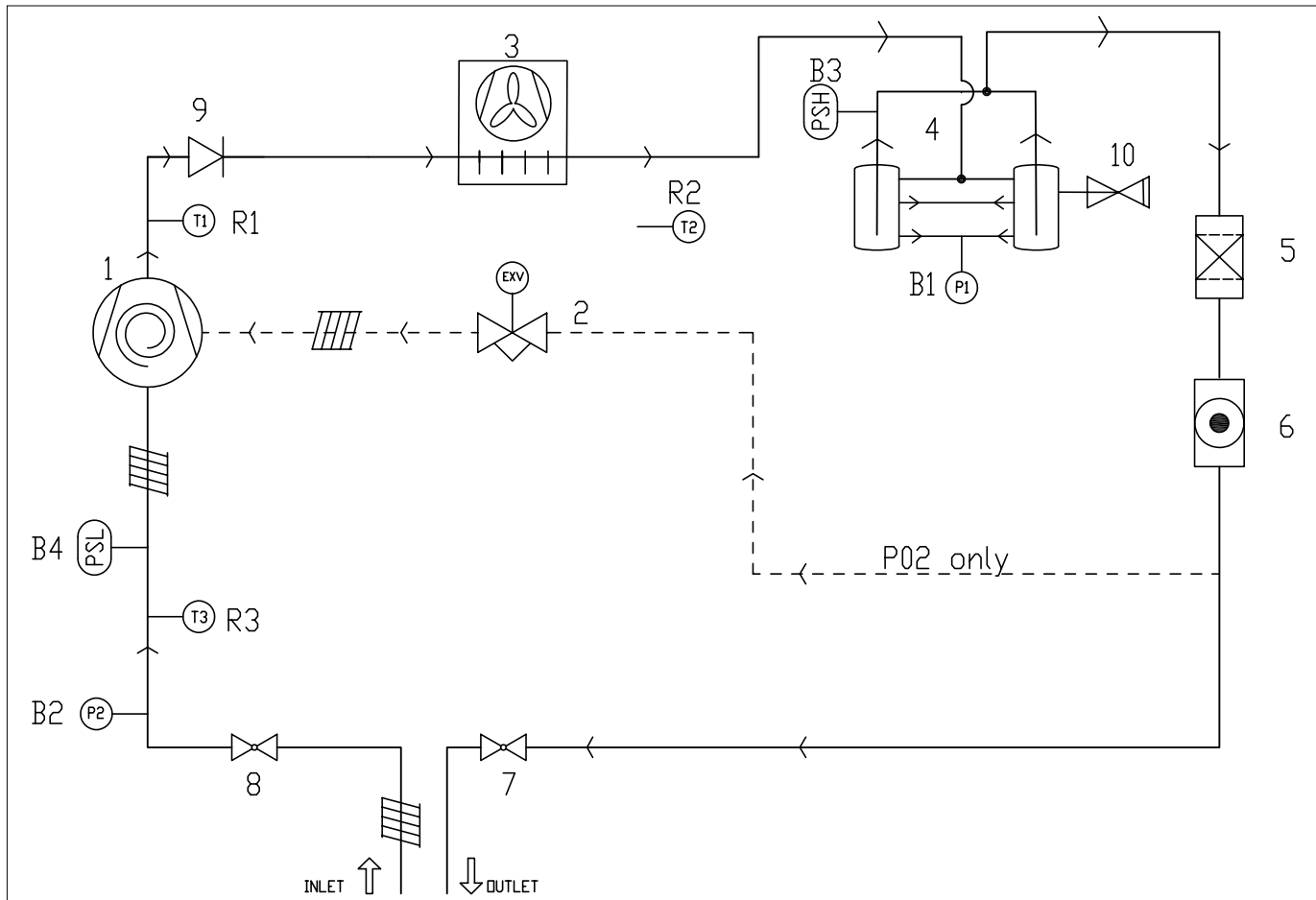


P02 Models: OP-LPK



Instructions

P00 Models: OP-MPI(114X44--), P02 Models: OP-LPK(114X34--)



English Legend

- | | | |
|---|---|---|
| <p>1 Compressor</p> <p>2 EXV- Electric Expansion Valve (P02 only)</p> <p>3 Micro Channel Heat Exchanger with axial fan</p> <p>4 Refrigerant receiver with rotalock valve</p> <p>5 Filter Drier</p> <p>6 Sight Glass</p> | <p>7 Liquid Ball Valve</p> <p>8 Suction Ball Valve</p> <p>9 Non return Valve</p> <p>10 Pressure Relief Valve (PED category II models only)</p> <p>B1 Condensing Pressure Transducer (P1)</p> <p>B2 Suction Pressure Transducer (P2)</p> | <p>B3 High Pressure cartridge Switch (auto-reset) (PSH)</p> <p>B4 Low Pressure cartridge Switch (auto-reset) (PSL)</p> <p>R1 Discharge Temperature Sensor (T1)</p> <p>R2 Ambient Temperature sensor (T2)</p> <p>R3 Suction Temperature Sensor (T3)</p> <p>▨ Insulation</p> |
|---|---|---|

Deutsch Legende

- | | | |
|---|--|---|
| <p>1 Verdichter</p> <p>2 EXV- Elektrisch betriebenes Expansionsventil (Nur P02)</p> <p>3 Microchannel-Wärmeübertrager mit Axiallüfter</p> <p>4 Kältemittelsammler mit Rotalockventil</p> <p>5 Filtertrockner</p> <p>6 Schauglas</p> | <p>7 Flüssigkeits-Kugelabsperrventil</p> <p>8 Saugseitiges Kugelabsperrventil</p> <p>9 Rückschlagventil</p> <p>10 Sicherheitsventil (nur Typen der Kategorie II der Druckgeräterichtlinie (Pressure Equipment Directive, PED))</p> <p>B1 Druckmessaufnehmer (Hochdruck) (P1)</p> <p>B2 Druckmessaufnehmer (Niederdruck) (P2)</p> | <p>B3 Hochdruck-Patronendruckschalter (automatisches Zurücksetzen)(PSH)</p> <p>B4 Niederdruck-Patronendruckschalter (automatisches Zurücksetzen)(PSL)</p> <p>R1 Heißgastemp.- Fühler (T1)</p> <p>R2 Umgebungstemperaturfühler (T2)</p> <p>R3 Saugstutzen temp.- Fühler (T3)</p> <p>▨ Isolation</p> |
|---|--|---|

Français Légende

- | | | |
|--|--|--|
| <p>1 compresseur</p> <p>2 EXV-Détendeur électronique (Uniquement pour P02)</p> <p>3 Échangeur de chaleur à microcanaux avec ventilateur axial</p> <p>4 Réservoir de fluide frigorigène avec vanne rotalock</p> <p>5 Filtre déshydrateur</p> <p>6 Voyant de liquide</p> | <p>7 Vanne liquide, à boule</p> <p>8 Vanne d'aspiration, à boule</p> <p>9 Clapet anti-retour</p> <p>10 Soupape de sécurité (modèles PED de catégorie II uniquement)</p> <p>B1 transducteur de pression de condensation (P1)</p> <p>B2 transducteur de pression d'aspiration (P2)</p> <p>B3 Pressostat cartouche haute pression (auto-réarmement)(PSH)</p> | <p>B4 Pressostat cartouche basse pression (auto-réarmement)(PSL)</p> <p>R1 sonde de température de refoulement (T1)</p> <p>R2 Sonde de température ambiante (T2)</p> <p>R3 sonde de température d'aspiration (T3)</p> <p>▨ Isolation</p> |
|--|--|--|

Instructions

Español leyenda

- 1 Compresor
- 2 EXV - Válvula de expansión electrónica (Solo para P02)
- 3 Intercambiador de calor de microcanales con ventilador axial
- 4 Recipiente de refrigerante con válvula rotalock
- 5 Filtro secador

- 6 Visor de líquido
- 7 Válvula de bola de líquido
- 8 Válvula de bola de aspiración
- 9 Válvula de retención
- 10 Válvula de alivio de presión (solo modelos de categoría PED II)
- B1 Transductor de presión de condensación (P1)
- B2 Transductor de presión de aspiración (P2)

- B3 Interruptor de cartucho de alta presión (restablecimiento automático) (PSH)
- B4 Interruptor de cartucho de baja presión (restablecimiento automático) (PSL)
- R1 Sensor de temperatura dedescarga (T1)
- R2 Sensor de temperatura ambiente (T2)
- R3 Sensor de temperatura de aspiración (T3)
- ☒ Aislamiento

Italiano leggenda

- 1 Compressore
- 2 EXV - Valvola di espansione elettrica (Solo P02)
- 3 Scambiatore di calore a microcanali con ventilatore assiale
- 4 Ricevitore refrigerante con valvola Rotalock
5. Essiccatore filtro
- 6 Spia di liquido

- 7 Valvola a sfera liquido
- 8 Valvola a sfera di aspirazione
- 9 Valvola di non ritorno
- 10 Valvola limitatrice di pressione (solo modelli di categoria PED II)
- B1 Trasduttore pressione di condensazione (P1)
- B2 Trasduttore pressione di aspirazione (P2)
- B3 Pressostato cartuccia ad alta pressione (reset

- automatico)(PSH)
- B4 Pressostato cartuccia a bassa pressione (reset automatico) (PSL)
- R1 Temp. scarico Sensore (T1)
- R2 Sensore temperatura ambiente (T2)
- R3 Temp. aspirazione Sensore (T3)
- ☒ Isolamento

Português Lenda

- 1 Compressor
- 2 EXV-Válvula de expansão elétrica (Apenas P02)
- 3 Permutador de calor com microcanais com ventilador axial
- 4 Recetor de refrigerante com válvula rotalock
- 5 Secador de filtro

- 6 Visor de líquido
- 7 Válvula de esfera de líquido
- 8 Válvula de esfera de sucção
- 9 Válvula sem retorno
- 10 Válvula de descarga de pressão (apenas modelos PED de categoria II)
- B1 Transdutor da pressão de condensação (P1)
- B2 Transdutor da pressão de aspiração (P2)

- B3 Interruptor de cartucho de alta pressão (reposição automática)(PSH)
- B4 Interruptor de cartucho de baixa pressão (reposição automática)
- R1 Sensor da temperatura de descarga (T1)
- R2 Sensor de temperatura ambiente (T2)
- R3 Sensor da temperatura de aspiração (T3)
- ☒ Isolamento

Svenska Legend

- 1 Kompressor
- 2 EXV-Elektrisk expansionsventil (Endast för P02)
- 3 Värmeväxlare med mikrokanaler med axialfläkt
- 4 Köldmediemottagare med Rotalock-ventil
- 5 Torfilter

- 6 Synglas
- 7 Vätskekulventil
- 8 Sugkulventil
- 9 Backventil
- 10 Överströmningsventil (endast modeller i PED-kategori II)
- B1 Kondensortrycksgivare (P1)

- B2 Sugtrycksgivare (P2)
- B3 Högtryckspatronbrytare(autoåterställning)(PSH)
- B4 Lågtryckspatronbrytare(autoåterställning)(PSL)
- R1 Tryckrörstemp. sensor (T1)
- R2 Givare för omgivningstemperatur (T2)
- R3 Sugtemp. sensor (T3)
- ☒ Isolering

Polski Legenda

- 1 Sprężarka
- 2 EXV-Elektryczny zawór rozprężny (Tylko P02)
- 3 Mikrokanałowy wymiennik ciepła z wentylatorem osiowym
- 4 Zbiornik czynnika chłodniczego z zaworem Rotalock
- 5 Filtr odwadniacz
- 6 Wziernik

- 7 Zawór kulowy cieczy
- 8 Zawór kulowy ssawny
- 9 Zawór zwrotny
- 10 Zawór bezpieczeństwa PRV (tylko modele II kategorii PED)
- B1 Przetwornik ciśnienia skraplania (P1)
- B2 Przetwornik ciśnienia ssania (P2)
- B3 Presostaty wysokiego ciśnienia z wkładem (au-

- tomatyczny reset) (PSH)
- B4 Presostaty niskiego ciśnienia z wkładem (automatyczny reset) (PSL)
- R1 Czujnik temp. na wylocie (T1)
- R2 Czujnik temperatury otoczenia (T2)
- R3 Czujnik temp. na wlocie (T3)
- ☒ Izolacja

Русский Легенда

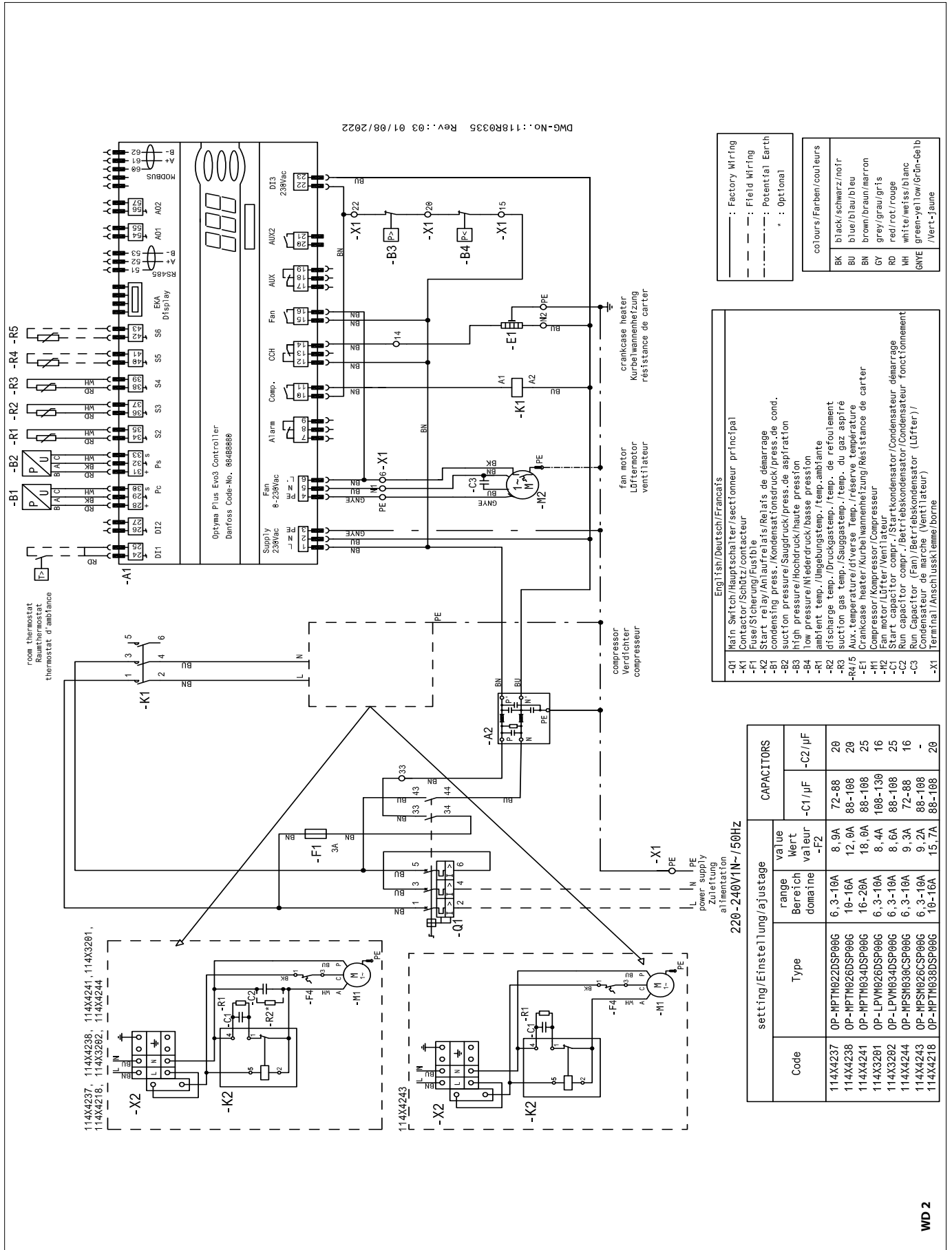
- 1 Компрессор
- 2 EXV - Электронный расширительный клапан (Только для P02)
- 3 Микроканальный теплообменник с осевым вентилятором
- 4 Ресивер хладагента с клапаном Rotalock
- 5 Фильтр-осушитель

- 6 Смотровое стекло
- 7 Шаровой клапан на жидкостной линии
- 8 Шаровой клапан на линии всасывания
- 9 Обратный клапан
- 10 Предохранительный клапан (только для моделей категории PED II)
- B1 Датчик давления конденсации (P1)
- B2 Датчик давления всасывания (P2)

- B3 Картриджное реле высокого давления (с автосбросом) (PSH)
- B4 Картриджное реле низкого давления (с автосбросом) (PSL)
- R1 Датчик темп. нагнетания (T1)
- R2 Датчик температуры окружающей среды(T2)
- R3 Датчик темп. всасывания (T3)
- ☒ Изоляция

Instructions

Code G : OP-MPTM022,026,034,038, OP-LPV, OP-LPKM026,034,OP-MPSM,026,030



—	: Factory Wiring
- - -	: Field Wiring
- · - · -	: Potential Earth
*	: Optional

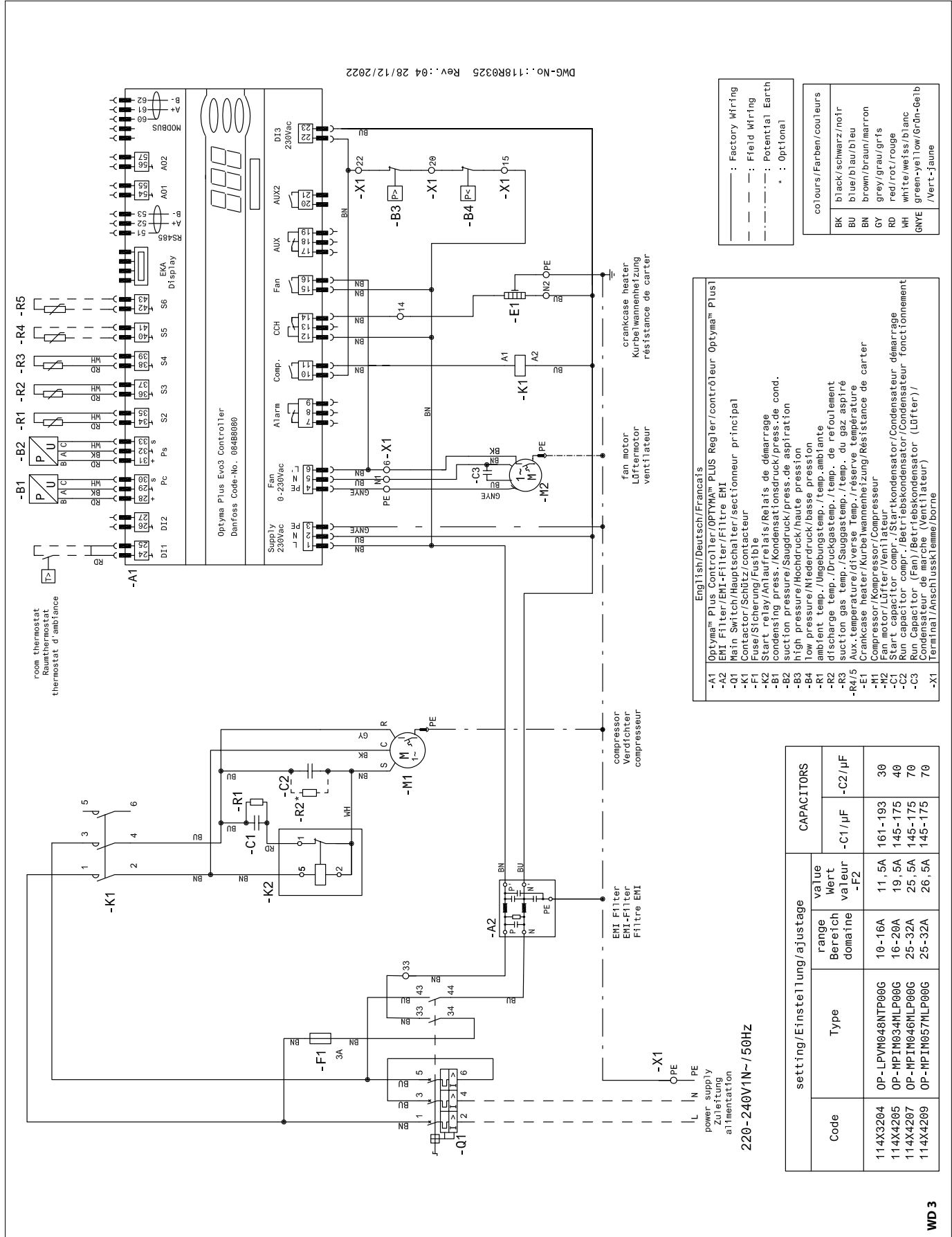
couleurs/Colors/colours	
BK	black/schwarz/noir
BU	blue/blau/bleu
BN	brown/braun/marron
GY	grey/grau/gris
RD	red/rot/rouge
WH	white/weiß/blanc
GNVE	green/ye low/grün-de lb /Vert.-jaune

English/Deutsch/Français	
-Q1	Main Switch/Hauptschalter/sectiomeur principal
-Q2	Contactor/Schütz/kontacteur
-F1	Cable Stripping Plug/Steckdose
-K1	Start relay pressure/Kondensator/press. de démarrage
-K2	Start relay pressure/Saugdruck/press. de cond.
-R1	suction pressure/Saugdruck/press. de aspiration
-R2	high pressure/Hochdruck/haute pression
-R3	low pressure/Niederdruck/basse pression
-R4	ambient temp./Umgebungs-temp./temp. ambiante
-R5	discharge temp./Druckgastemp./temp. de retourlement
-R6	suction gas temp./Sauggastemp./temp. du gaz aspiré
-E1	Aux. temperature/diverse Temp./réserve température
-R4/L/S	Crankcase heater/Kurbelwärmehitzung/Résistance de carter
-M1	Compressor/Compresseur/Compresseur
-M2	Start capacitor compr./Betriebskondensator/Condensateur démarrage
-C1	Run capacitor (Fan)/Betriebskondensator (Lüfter)
-C2	Condensator de marche (Ventilateur)
-C3	Terminal/Anschlussklemme/borne

Code	setting/Einstellung/ajustage		CAPACITORS	
	Type	range Bereich domaine	value wert valeur	-C1 /µF -C2 /µF
114X4237	OP-MPTM022DSP00G	6,3-10A	-F2	72-88
114X4238	OP-MPTM026DSP00G	10-16A	8,9A	20
114X4241	OP-MPTM034DSP00G	16-20A	12,0A	88-108
114X3201	OP-LPV0626DSP00G	6,3-10A	18,0A	20
114X3202	OP-LPV0634DSP00G	6,3-10A	8,4A	88-108
114X4244	OP-MPSM030CSP00G	6,3-10A	8,6A	88-108
114X4243	OP-MPSM026CSP00G	6,3-10A	9,3A	72-88
114X4218	OP-MPTM038DSP00G	10-16A	15,7A	88-108

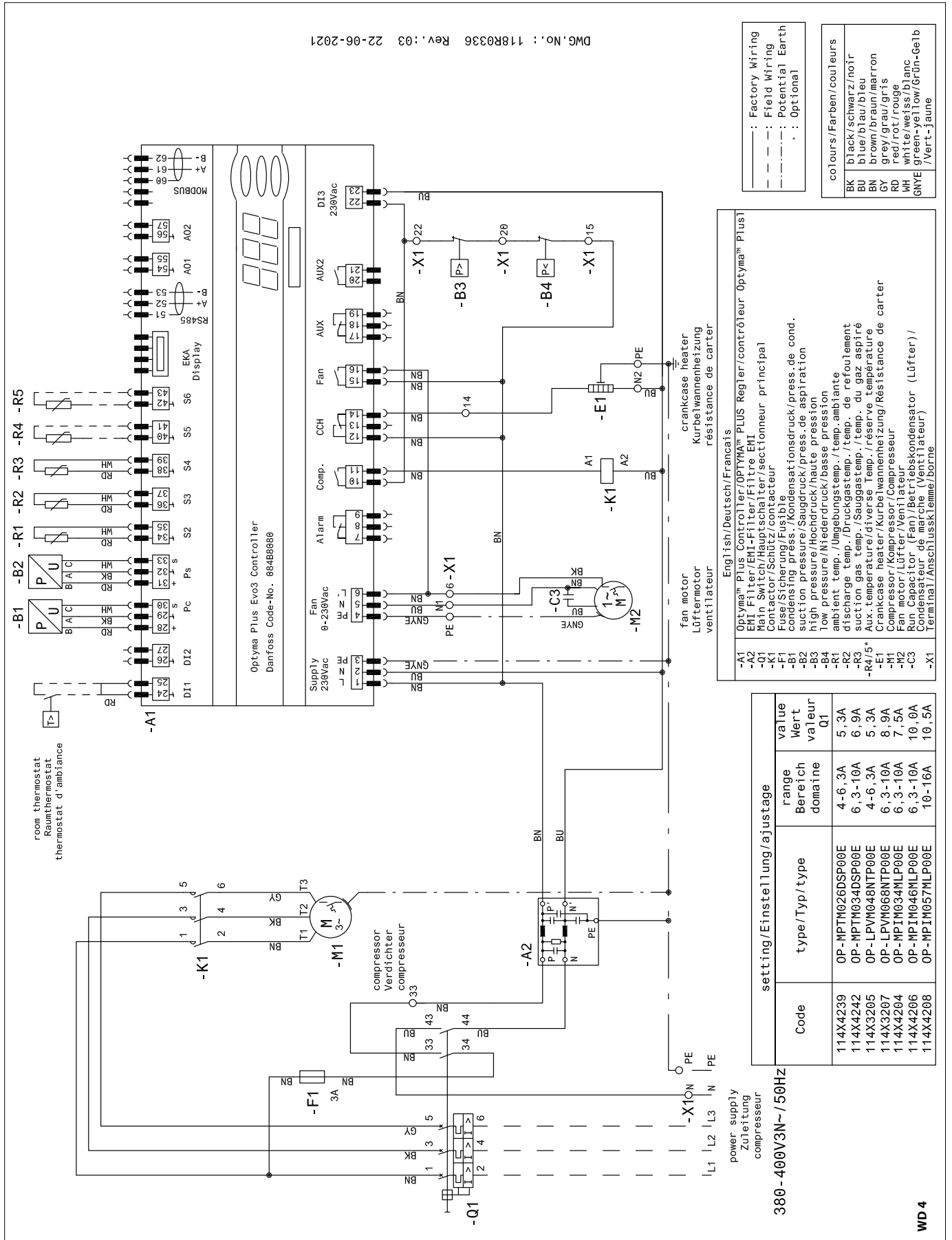
Instructions

Code G: OP-LVM048,068, OP-MPIM034,046,057



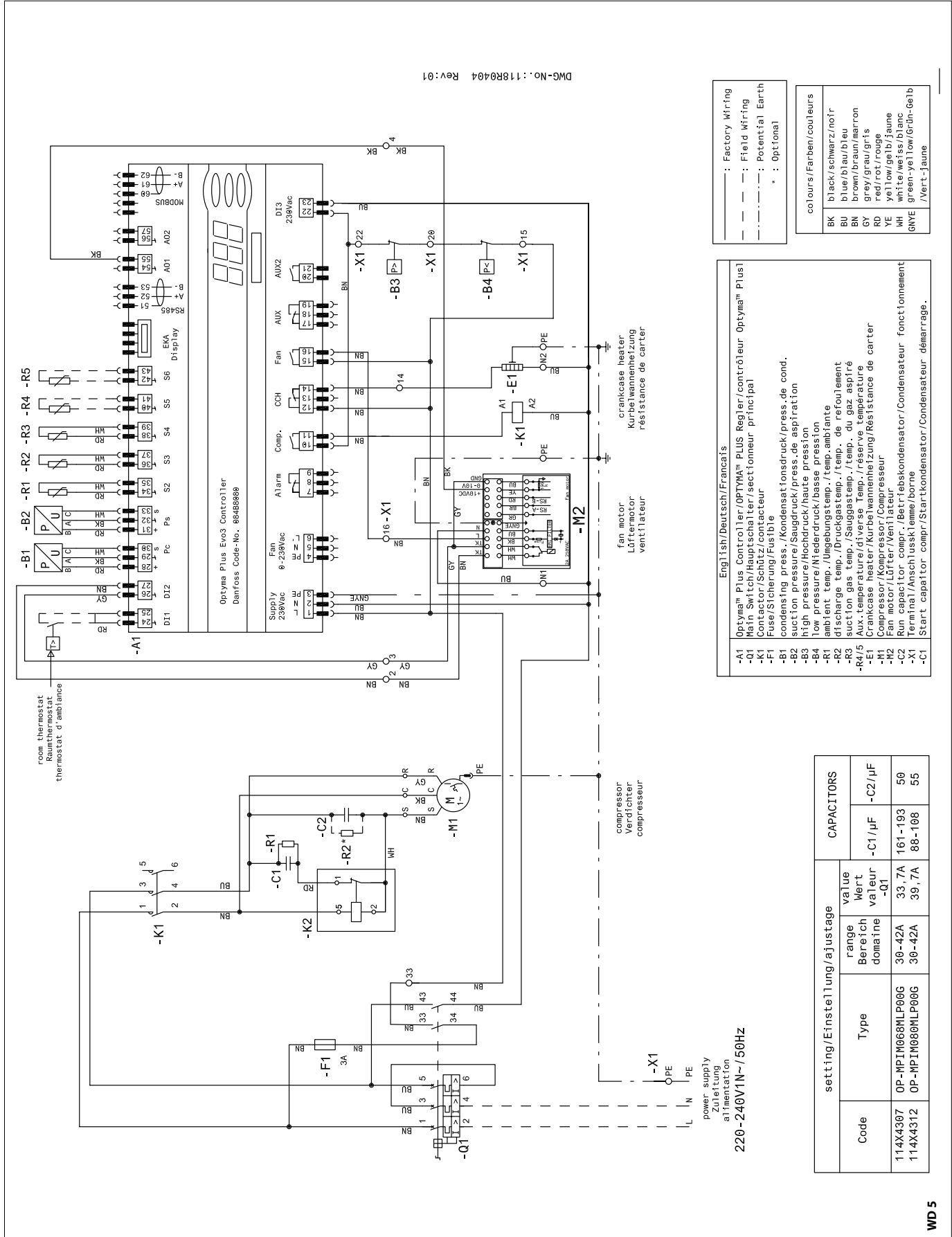
Instructions

Code E: OP-MPWM057, OP-MPTM026,034, OP-LPV, OP-LPKM048,068, OP-MPIM034,046



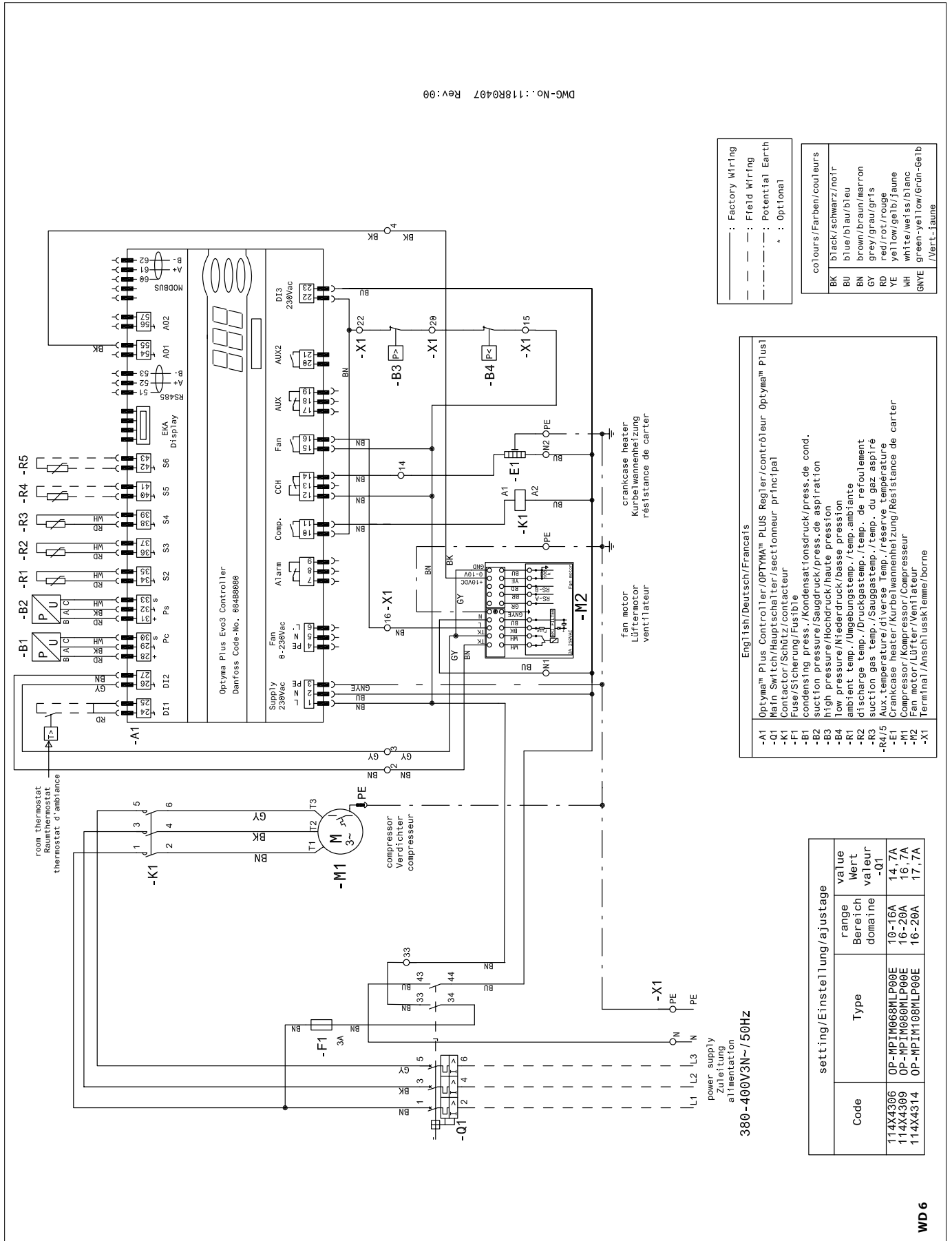
Instructions

Code G (P00) : OP-MPIM068,080



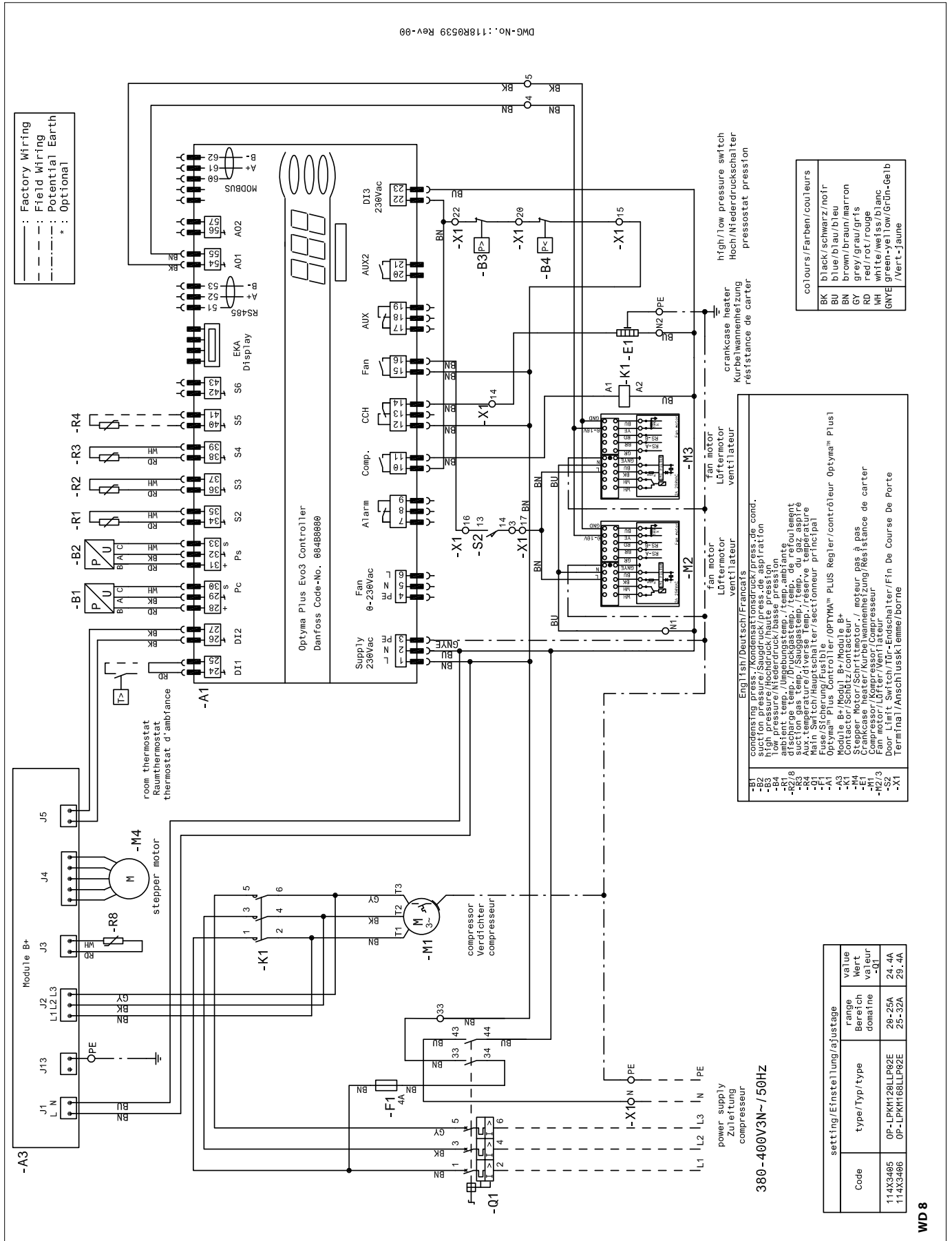
Instructions

Code E (P00) : OP-MPIM068,080,108



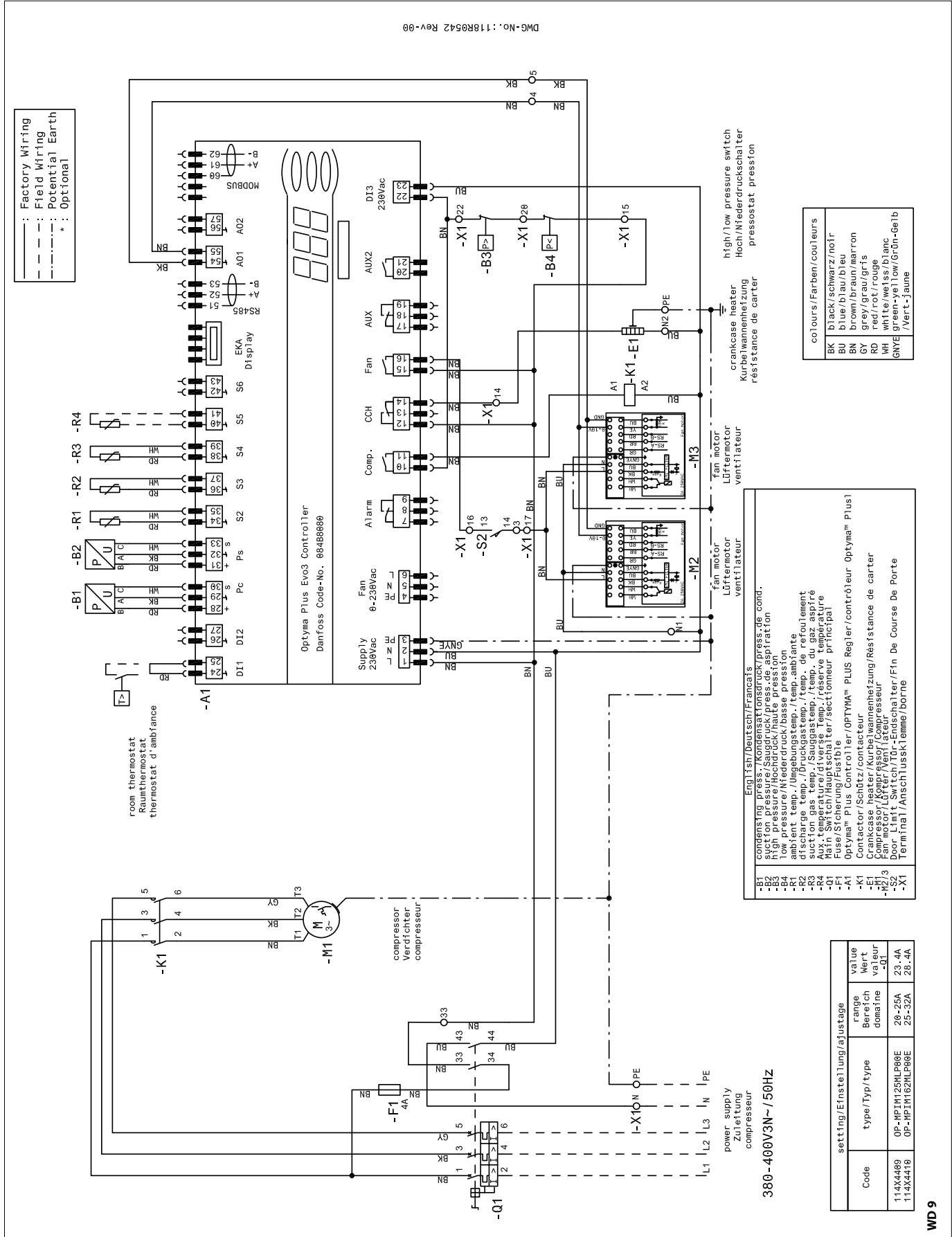
Instructions

Code E: OP-LPKM120 &168



Instructions

Code E: OP-MPIM125 & 162



Instructions

English Legend

A1: Optyma™ Plus Controller
A2: EMI Filter
A3: Liquid Injection Controller
B1, B5: Condensing Pressure Transducer
B2: Suction Pressure Transducer
B3: High Pressure Switch (OFF = 31bar(g), ON = 24bar(g))
B4: Low Pressure Switch (OFF = -0,3bar(g), ON = 0,5bar(g))
C1: Start Capacitor (Compressor)

C2: Run Capacitor (Compressor)
C3: Run Capacitor (Fan 1)
C4: Run Capacitor (Fan 2)
E1: Crankcase Heater
F1: Fuse (Control Circuit)
F2, F3: Motor protector
K1: Contactor
K2: Start Relay
M1: Compressor
M2: Fan Motor 1
M3: Fan Motor 2

M4: Electronic Expansion Valve
Q1: Main Switch
R1: Ambient Temp. Sensor
R2, R8: Discharge Temp. Sensor
R3: Suction Temp. Sensor
R4, R5: Auxiliary Temp. Sensor (optional)
R7: NTC Resistor
S1: Room Thermostat (optional)
S2: Door Limit Switch
X1: Terminal

Supply: Supply
Fan: Fan
Alarm: Alarm
Comp.: Compressor
CCH: Crankcase Heater
Aux: Auxiliary

Deutsche Legende

A1: Regler Optyma™ Plus
A2: EMV-Filter
A3: Regler zur Flüssigkeitseinspritzung
B1, B5: Verflüssigungsdruckaufnehmer
B2: Druckmessaufnehmer Saugseite
B3: Hochdruckschalter
(OFF = 31 bar(g), ON = 24 bar (g))
B4: Niederdruckschalter
(OFF = -0,3 bar(g), ON = 0,5 bar(g))
C1: Anlaufkondensator (Verdichter)

C2: Betriebskondensator (Verdichter)
C3: Betriebskondensator (Lüfter 1)
C4: Betriebskondensator (Lüfter 2)
E1: Kurbelwellenheizung
F1: Sicherung (Steuerkreislauf)
F2, F3: Motorschutz
K1: Schütz
K2: Anlassrelais
M1: Verdichter
M2: Lüftermotor 1
M3: Lüftermotor 2

M4: Elektronisches Expansionsventil
Q1: Hauptschalter
R1: Umgebungstemp. Fühler
R2, R8: Heißgastemp. Fühler
R3: Saugtemp. Fühler
R4, R5: Zusatztemp. Fühler (optional)
R6: Kurbelwellenheizung
R7: NTC-Widerstand
S1: Raumthermostat (optional)
S2: Türbegrenzungsschalter
X1: Klemme

Supply: Spannungsversorgung
Fan: Lüfter
Alarm: Alarm
Verdichter: Verdichter
Kurbelwellenheizung: Kurbelwellenheizung
Aux: Hilfskontakt

Légende en français

A1: Régulateur Optyma™ Plus
A2: Filtre EMI
A3: Régulateur d'injection de liquide
B1, B5: Transducteur de pression de condensation
B2: Transducteur de pression d'aspiration
B3: Pressostat haute pression
(OFF = 31 bar(g), ON = 24 bar (g))
B4: Pressostat basse pression
(OFF = -0,3 bar(g), ON = 0,5 bar(g))
C1: Condensateur de démarrage (compresseur)

C2: Condensateur de marche (compresseur)
C3: Condensateur de marche (ventilateur 1)
C4: Condensateur de marche (ventilateur 2)
E1: Résistance de carter
F1: Fusible (circuit de commande)
F2, F3: Protection du moteur
K1: Contacteur
K2: Relais de démarrage
M1: Compresseur

M2: Moteur de ventilateur 1
M3: Moteur de ventilateur 2
M4: Détendeur électronique
Q1: Interrupteur général
R1: Capteur de temp. ambiante
R2, R8: Capteur de temp. de refoulement
R3: Capteur de temp. d'aspiration
R4, R5: Capteur de temp. auxiliaire (en option)
R6: Résistance de carter
R7: Résistance NTC
S1: Thermostat d'ambiance (en option)

S2: Interrupteur de limite de porte
X1: Borne
Alimentation: Alimentation
Ventilateur: Ventilateur
Alarme: Alarme
Comp.: Compresseur
CCH: Résistance de carter
Aux: Auxiliaire

Leyenda en Español

A1: Controlador Optyma™ Plus
A2: Filtro EMI
A3: Controlador de inyección de líquido
B1, B5: Transductor de presión de condensación
B2: Transductor de presión de aspiración
B3: Interruptor de alta presión
(OFF = 31bar(g), ON = 24bar(g))
B4: Interruptor de baja presión
(OFF = -0,3bar(g), ON = 0,5bar(g))

C1: Condensador de arranque (compresor)
C2: Condensador de funcionamiento (compresor)
C3: Condensador de funcionamiento (ventilador 1)
C4: Condensador de funcionamiento (ventilador 2)
E1: Resistencia del cárter
F1: Fusible (Circuito de control)
F2, F3: Protector del motor
K1: Contactor

K2: Relé de arranque
M1: Compresor
M2: Motor del ventilador 1
M3: Motor del ventilador 2
M4: Válvula de expansión electrónica
Q1: Interruptor Principal
R1: Sensor de temp. ambiente
R2, R8: Sensor de temp. ambiente
R3: Sensor de temp. ambiente
R4, R5: Sensor de temp. auxiliar (opcional)
R6: Resistencia de cárter

R7: Resistencia NTC
S1: Termostato ambiente (opcional)
S2: Interruptor de límite de puerta
X1: Terminal
Alimentación: Alimentación
Ventilador: Ventilador
Alarme: Alarma
Comp.: Compresor
CCH: Resistencia de cárter
Aux: Auxiliar

Legenda Italiano

A1: regolatore Optyma™ Plus
A2: filtro EMI
A3: regolatore iniezione di liquido
B1, B5: trasduttore pressione di condensazione
B2: trasduttore pressione di aspirazione
B3: pressostato alta pressione
(OFF = 31 bar(g), ON = 24 bar(g))
B4: pressostato bassa pressione
(OFF = -0,3 bar(g), ON = 0,5 bar(g))

C1: condensatore avviamento (compressore)
C2: condensatore di marcia (compressore)
C3: condensatore di marcia (ventilatore 1)
C4: condensatore di marcia (ventilatore 2)
E1: Resistenza carter
F1: fusibile (circuito di controllo)
F2, F3: motoprotettore
K1: contattore
K2: relè di avviamento
M1: compressore

M2: motore ventilatore 1
M3: motore ventilatore 2
M4: valvola di espansione elettronica
Q1: interruttore principale
R1: sensore temp. ambiente
R2, R8: sensore temp. scarico
R3: sensore temp. aspirazione
R4, R5: sensore temp. ausiliario (opzionale)
R6: resistenza carter
R7: resistore NTC
S1: termostato ambiente (opzionale)

S2: finecorsa sportello
X1: morsetto
Alimentazione: alimentazione
Ventilatore: ventilatore
Allarme: allarme
Comp.: compressore
RSC: resistenza carter
Aux: ausiliario

Português Lenda

A1: Controlador Optyma™ Plus
A2: Filtro EMI
A3: Controlador de injeção de líquido
B1, B5: Transdutor de pressão de condensação
B2: Transdutor de pressão de Sucção
B3: Interruptor da pressão alta (DESLIGADO = 31 bar(g), LIGADO = 24 bar(g))
B4: Interruptor de pressão baixa (DESLIGADO = -0,3 bar(g), LIGADO = 0,5 bar(g))
C1: Capacitor de partida (Compressor)

C2: Capacitor de Marcha (Compressor)
C3: Capacitor de Marcha (Ventilador 1)
C4: Capacitor de Marcha (Ventilador 2)
F1: Fusível (Circuito de controle)
F2, F3: Proteção do motor
K1: Contator
K2: Relé de partida
M1: Compressor
M2: Motor do ventilador 1
M3: Motor do ventilador 2
M4: Válvula de expansão eletrônica
Q1: Chave principal

R1: Temperatura ambiente Sensor
R2, R8: Temperatura de descarga Sensor
R3: Temperatura de sucção Sensor
R4, R5: Temperatura auxiliar Sensor (opcional)
R6: Resistência de cárter
R7: Resistência NTC
S1: Termóstato ambiente (opcional)
S2: Interruptor de limite de porta
X1: Terminal

Alimentação: Alimentação
Ventilador: Ventilador
Alarme: Alarme
Comp.: Compressor
CCH: Resistência de cárter
Aux: Auxiliar

Svensk förklaring

A1: Optyma™ Plus-regulator	C2: Drivkondensator (kompressor)	M3: Fläktmotor 2	Matning: Matningsspänning
A2: EMI-filter	C3: Drivkondensator (fläkt 1)	M4: Elektronisk Expansionsventil	Fläkt: Fläkt
A3: Vätskeinsprutningsregulator	C4: Drivkondensator (fläkt 2)	Q1: Huvudbrytare	Larm: Larm
B1, B5: Högtryckstransmitter	E1: Vevhusvärmare	R1: Omgivningstemp. Givare	Komp.: Kompressor
B2: Lågtryckstransmitter	F1: Säkring (styrströmkrets)	R2, R8: Utloppstemp. Givare	CCH: Vevhusvärmare
B3: Högtrycksbrytare (AV = 31 bar(g), PÅ = 24 bar(g))	F2, F3: Motorskydd	R3: Suggastemp. Givare	Aux: Tillbehör
B4: Lågtrycksbrytare (AV = -0,3 bar(g), PÅ = 0,5 bar(g))	K1: Kontaktor	R4, R5: AUXtemp. Givare (tillval)	
C1: Driftskondensator (kompressor)	K2: Startrelä	R7: NTC-resistor	
	M1: Kompressor	S1: Rumstermostat (tillval)	
	M2: Fläktmotor 1	S2: Dörrgränsbrytare	
		X1: Plint	

Legenda polska

A1: Sterownik Optyma™ Plus	C3: Kondensator pracy (wentylator 1)	Q1: Wyłącznik główny	Zasilanie: Zasilanie
A2: Filtr EMI	C4: Kondensator pracy (wentylator 2)	R1: Czujnik temp. otoczenia	Wentylator: Wentylator
A3: Sterownik wtrysku cieczy	E1: Grzałka karтеру	R2, R8: Czujnik temp. tłoczenia	Alarm: Alarm
B1, B5: Przetwornik ciśnienia skraplania	F1: Bezpiecznik (obwód sterowania)	R3: Czujnik temp. ssania	Spręż.: Sprężarka
B2: Przetwornik ciśnienia ssania	F2, F3: Zabezpieczenie silnika	R4, R5: Pomocniczy czujnik temperatury (opcjonalny)	CCH: Grzałka karтеру
B3: Presostat wysokiego ciśnienia (WYŁ. = 31 bar(g), WŁ. = 24 bar(g))	K1: Stycznik	R6: Grzałka karтеру	Pomoc.: Pomocniczy
B4: Presostat niskiego ciśnienia (WYŁ. = -0,3 bar(g), WŁ. = 0,5 bar(g))	K2: Przekaznik rozruchowy	R7: Rezystor NTC	
C1: Kondensator rozruchowy (sprężarka)	M1: Sprężarka	S1: Termostat pokojowy (opcjonalny)	
C2: Kondensator pracy (sprężarka)	M2: Silnik wentylatora 1	S2: Wyłącznik krańcowy drzwiczek	
	M3: Silnik wentylatora 2	X1: Zacisk	
	M4: Elektroniczny zawór rozprężny		

Русский Легенда

A1: Контроллер Оптыма™ Plus	C2: Рабочий конденсатор (компрессор)	M4: Электронный расширительный клапан	S1: Комнатный термостат (дополнительно)
A2: Фильтр подавления электромагнитных помех	C3: Рабочий конденсатор (вентилятор 1)	Q1: Главный выключатель	S2: Концевой выключатель дверцы
A3: Контроллер впрыска жидкости	C4: Рабочий конденсатор (вентилятор 2)	R1: Датчик температуры окружающей среды	X1: Клемма
B1, B5: Датчик давления конденсации	E1: Подогреватель картера	R2, R8: Датчик температуры нагнетания	Supply: Питание
B2: Датчик давления всасывания	F1: Предохранитель (цепь управления)	R3: Датчик температуры всасывания	Fan: Вентилятор
B3: Реле высокого давления (ВЫКЛ = 31 бар изб., ВКЛ = 24 бар изб.)	F2, F3: Защита электродвигателя	R4, R5: Вспомогательный датчик температуры (дополнительно)	Alarm: Сигнализация
B4: Реле низкого давления (ВЫКЛ = -0,3 бар изб., ВКЛ = 0,5 бар изб.)	K1: Контакт	R6: Подогреватель картера	Comp.: Компрессор
C1: Пусковой конденсатор (компрессор)	K2: Пусковое реле	R7: Резистор NTC	CCH: Подогреватель картера
	M1: Компрессор		Aux: Вспомогательный
	M2: Электродвигатель вентилятора 1		
	M3: Электродвигатель вентилятора 2		

**Danfoss A/S**

Climate Solutions • danfoss.com • +45 7488 2222

Any information, including, but not limited to information on selection of product, its application or use, product design, weight, dimensions, capacity or any other technical data in product manuals, catalogues descriptions, advertisements, etc. and whether made available in writing, orally, electronically, online or via download, shall be considered informative, and is only binding if and to the extent, explicit reference is made in a quotation or order confirmation. Danfoss cannot accept any responsibility for possible errors in catalogues, brochures, videos and other material. Danfoss reserves the right to alter its products without notice. This also applies to products ordered but not delivered provided that such alterations can be made without changes to form, fit or function of the product.

All trademarks in this material are property of Danfoss A/S or Danfoss group companies. Danfoss and the Danfoss logo are trademarks of Danfoss A/S. All rights reserved.